

**LA4628****Two-Channel 20 W BTL Audio Power Amplifier****Overview**

The LA4628 is a 2-channel general-purpose BTL audio power amplifier provided in a miniature package. It was designed for the best possible audio quality and features an extended low band roll-off frequency provided by a newly-developed NF circuit that does not require an external capacitor. Furthermore, crosstalk, which can cause muddiness in the audio output, has been significantly reduced by both circuit and wiring pattern improvements. Thus this amplifier can provide powerful lows and clear highs.

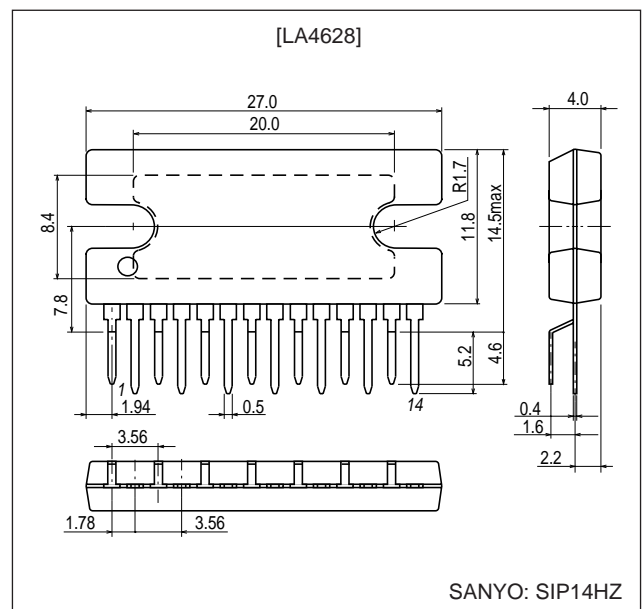
Note that this device is pin compatible with the 13.5 W  $\times$  2-channel LA4625, and allows end products differentiated by their power rating to share the same printed circuit board.

**Features**

- Total output: 20 W + 20 W (at  $V_{CC} = 13.5$  V,  $R_L = 4 \Omega$ , THD = 10%)
- High-fidelity design ( $f_L < 10$  Hz,  $f_H = 130$  kHz)
- Extremely low impulse noise levels
- An arbitrary amplifier startup time can be set up with external components.
- Full complement of built-in protection circuits (includes circuits that protect against shorting to  $V_{CC}$ , shorting to ground, load shorting, overvoltages and excessive temperatures)

**Package Dimensions**

unit: mm

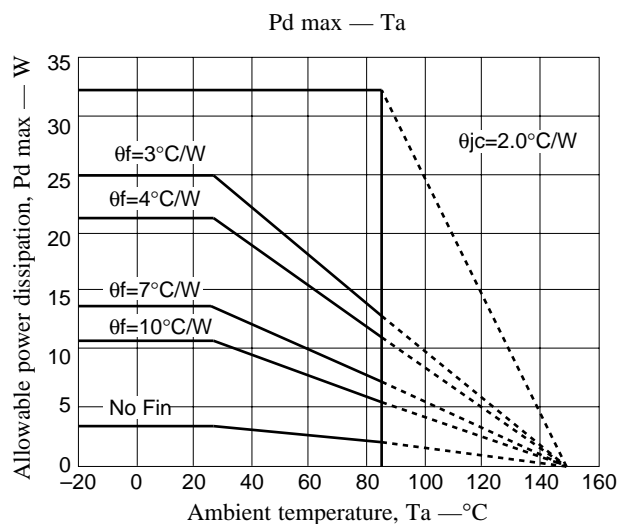
**3113A-SIP14HZ**

■ Any and all SANYO products described or contained herein do not have specifications that can handle applications that require extremely high levels of reliability, such as life-support systems, aircraft's control systems, or other applications whose failure can be reasonably expected to result in serious physical and/or material damage. Consult with your SANYO representative nearest you before using any SANYO products described or contained herein in such applications.

■ SANYO assumes no responsibility for equipment failures that result from using products at values that exceed, even momentarily, rated values (such as maximum ratings, operating condition ranges, or other parameters) listed in products specifications of any and all SANYO products described or contained herein.

**SANYO Electric Co.,Ltd. Semiconductor Company**

TOKYO OFFICE Tokyo Bldg., 1-10, 1 Chome, Ueno, Taito-ku, TOKYO, 110-8534 JAPAN



## Specifications

### Maximum Ratings at Ta = 25°C

| Parameter                   | Symbol              | Conditions                          | Ratings     | Unit |
|-----------------------------|---------------------|-------------------------------------|-------------|------|
| Maximum supply voltage      | V <sub>CC</sub> max | No signal                           | 24          | V    |
| Maximum output current      | I <sub>O</sub> peak | Per channel                         | 4           | A    |
| Allowable power dissipation | Pd max              | With an arbitrarily large heat sink | 32.5        | W    |
| Operating temperature       | T <sub>opr</sub>    |                                     | -20 to +85  | °C   |
| Storage temperature         | T <sub>stg</sub>    |                                     | -40 to +150 | °C   |

### Operating Conditions at Ta = 25°C

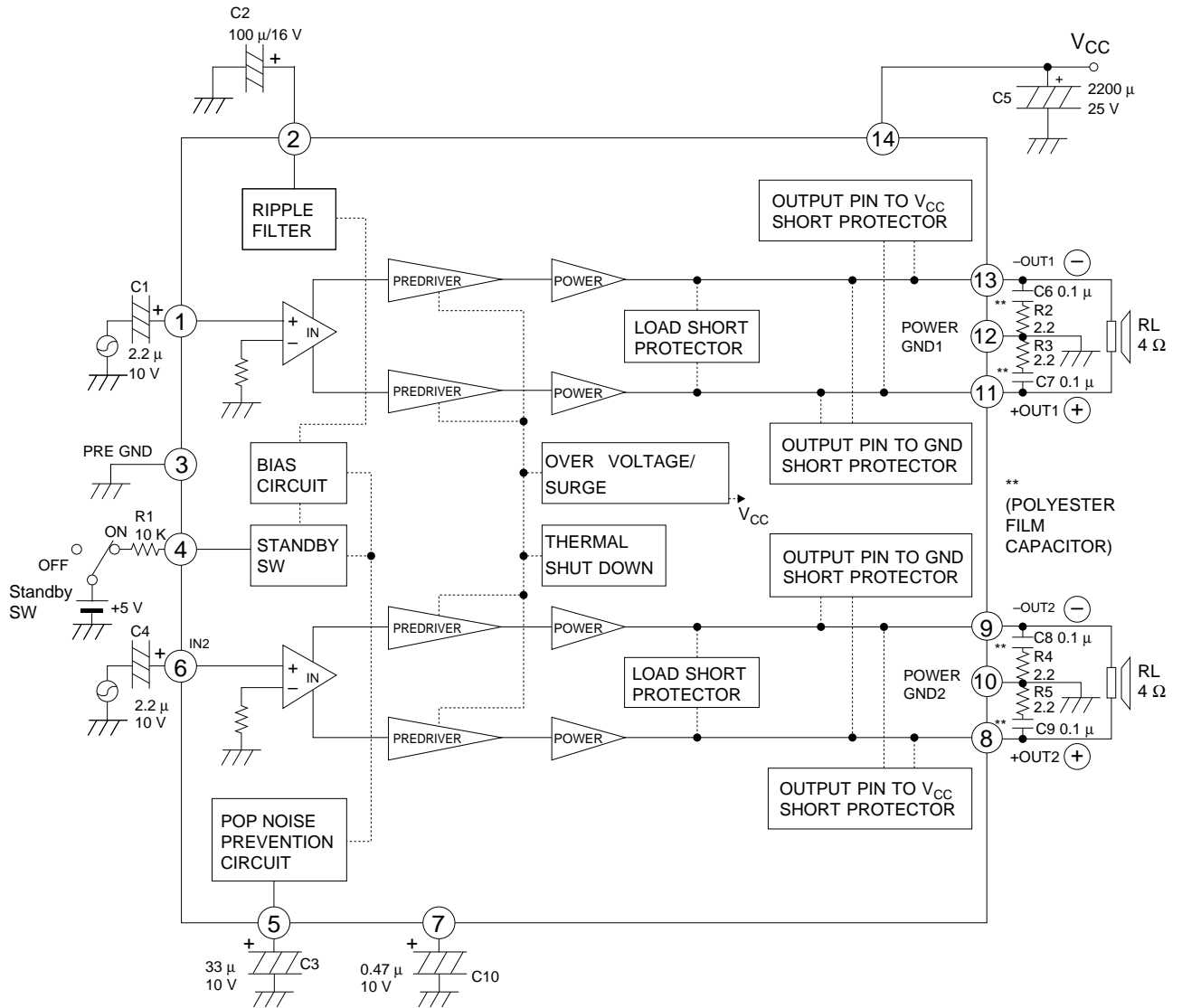
| Parameter                                | Symbol             | Conditions | Ratings | Unit |
|--|--------------------|------------|---------|------|
| Recommended supply voltage               | V <sub>CC</sub>    |            | 13.5    | V    |
| Recommended load resistance range        | R <sub>L</sub> op  |            | 4 to 8  | Ω    |
| Allowable operating supply voltage range | V <sub>CC</sub> op |            | 9 to 20 | V    |

Note: With V<sub>CC</sub>, R<sub>L</sub>, and the output level in ranges such that the Pdmax for the heat sink used is not exceeded.

### Operating Characteristics at Ta = 25°C, V<sub>CC</sub> = 13.5 V, R<sub>L</sub> = 4 Ω, f = 1 kHz, R<sub>g</sub> = 600 Ω

| Parameter                   | Symbol                | Conditions  | Ratings |      |                 | Unit |
|-----------------------------|-----------------------|---|---------|------|-----------------|------|
|                             |                       |   | min     | typ  | max             |      |
| Quiescent current           | I <sub>CCO</sub>      | With R <sub>g</sub> = 0 and R <sub>L</sub> open.                    | 70      | 130  | 250             | mA   |
| Standby mode current drain  | I <sub>st</sub>       | Standby mode (amplifier off), with no power supply capacitor.       |         | 10   | 60              | μA   |
| Voltage gain                | V <sub>G</sub>        | V <sub>O</sub> = 0 dBm  | 38      | 40   | 42              | dB   |
| Total harmonic distortion   | THD                   | P <sub>O</sub> = 1 W, Filter = FLAT                                 |         | 0.06 | 0.2             | %    |
| Output power                | P <sub>O1</sub>       | V <sub>CC</sub> = 13.5 V, THD = 10%, R <sub>L</sub> = 4 Ω           | 16      | 20   |                 | W    |
|                             | P <sub>O2</sub>       | V <sub>CC</sub> = 16.5 V, THD = 10%, R <sub>L</sub> = 4 Ω           |         | 30   |                 | W    |
| Output offset voltage       | V <sub>N</sub> offset | R <sub>g</sub> = 0  | -300    |      | +300            | mV   |
| Output noise voltage        | V <sub>NO</sub>       | R <sub>g</sub> = 0, BPF = 20 Hz to 20 kHz                           |         | 0.1  | 0.5             | mV   |
| Ripple rejection ratio      | SVRR                  | R <sub>g</sub> = 0, V <sub>R</sub> = 0 dBm, f <sub>R</sub> = 100 Hz | 40      | 50   |                 | dB   |
| Channel separation          | CH Sep                | R <sub>g</sub> = 10 kΩ, V <sub>O</sub> = 0 dBm                      | 50      | 60   |                 | dB   |
| Input resistance            | R <sub>i</sub>        |   | 21      | 30   | 39              | kΩ   |
| Standby pin applied voltage | V <sub>ST</sub>       | Amplifier on (applied through an external 10 kΩ resistor)           | 2.5     |      | V <sub>CC</sub> | V    |

Equivalent Circuit Block Diagram



C3  
Sets the amplifier starting time  
(Approximately 0.6 seconds when 33 μF)

C10  
Impulse noise reduction  
(Note: The device's ability to withstand shorting to V<sub>CC</sub> or shorting to ground when V<sub>CC</sub> is around 16 V may be reduced as the value of this capacitor is increased. We recommend 0.47 μF.)

### Pin Voltages

$V_{CC} = 13.5\text{ V}$ , with 5 V applied to STBY through a 10 k $\Omega$  resistor,  $R_L = 4\ \Omega$ ,  $R_g = 0$

|             |        |        |         |        |         |        |        |
|-------------|--------|--------|---------|--------|---------|--------|--------|
| Pin No.     | 1      | 2      | 3       | 4      | 5       | 6      | 7      |
| Pin         | IN1    | DC     | PRE-GND | STBY   | ON TIME | IN2    | POP    |
| Pin voltage | 1.55 V | 6.63 V | 0 V     | 3.21 V | 2.32 V  | 1.55 V | 2.07 V |

|             |       |       |          |       |          |       |          |
|-------------|-------|-------|----------|-------|----------|-------|----------|
| Pin No.     | 8     | 9     | 10       | 11    | 12       | 13    | 14       |
| Pin         | +OUT2 | -OUT2 | PWR-GND2 | +OUT1 | PWR-GND1 | -OUT1 | $V_{CC}$ |
| Pin voltage | 6.6 V | 6.5 V | 0 V      | 6.5 V | 0 V      | 6.6 V | 13.5 V   |

### External Components

C1 and C4: Input capacitors. A value of 2.2  $\mu\text{F}$  is recommended. Determine the polarity based on the DC potential of the circuit connected directly to the LA4628 front end. Note that the low band response can be adjusted by varying  $f_L$  with the capacitors C1 and C4.

C2: Decoupling capacitor (ripple filter)

C3: Sets the amplifier starting time, which will be approximately 0.6 seconds for a value of 33  $\mu\text{F}$ . The starting time is proportional to the value of this capacitor, and can be set to any desired value.

C5: Power-supply capacitor

C6, C7, C8, and C9:

Oscillation prevention capacitors. Use polyester film capacitors (Mylar capacitors) with excellent characteristics. (Note that the series resistors R2, R3, R4, and R5 are used in conjunction with these capacitors to achieve stable amplifier operation.) A value of 0.1  $\mu\text{F}$  is recommended.

C10: Impulse noise reduction capacitor. A value of 0.47  $\mu\text{F}$  is recommended. Caution is required when selecting the value for this capacitor, since increasing its value influences the operation of the circuits that protect against shorting the amplifier output pins to  $V_{CC}$  or to ground when higher  $V_{CC}$  voltages (approximately 16 V or higher) are used.

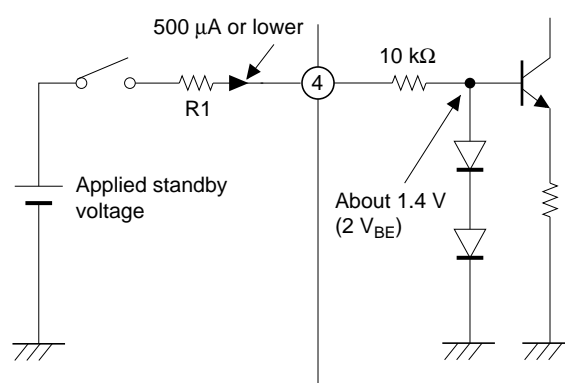
R1: Standby switch current limiting resistor. A value of 10 k $\Omega$  is recommended when a voltage in the range 2.5 to 13.5 V will be applied as the standby switching voltage. Note that this resistor is not optional: it must be included.

### IC Internal Characteristics and Notes

#### 1. Standby function

- Pin 4 is the standby switch. A voltage of 2.5 V or higher must be applied through an external resistor to turn the amplifier on.
- If a voltage of over 13.5 V will be applied as the standby mode switching voltage, use the following formula to determine the value of R1 so that the current entering at pin 4 remains under 500  $\mu\text{A}$ .

$$R1 = \frac{\langle \text{applied voltage} \rangle - 1.4}{500\ \mu\text{A}} - 10\ \text{k}\Omega$$



Pin 4 Internal Equivalent Circuit

#### 2. Muting function

- Pin 5 connects the capacitor that determines the starting time to prevent impulse noise. It can also be used to mute the amplifier output by shorting pin 5 to ground. When this function is used, the recovery time depends on C3.

3. Impulse noise improvements

- While the LA4628 achieves a low level of impulse noise, if even further reductions in impulse noise at power on/off (and when switching into or out of standby mode) a 0.47  $\mu\text{F}$  capacitor may be inserted between pin 7 and the PRE GND pin (pin 3). (Pin 7 is the output amplifier bias pin. Since the ability to withstand shorting the output pins to  $V_{CC}$  or ground is reduced for supply voltages over 16 V if the pin 7 capacitance is large, we recommend a value of 0.47  $\mu\text{F}$  or lower for this capacitor.)

4. Protection circuits

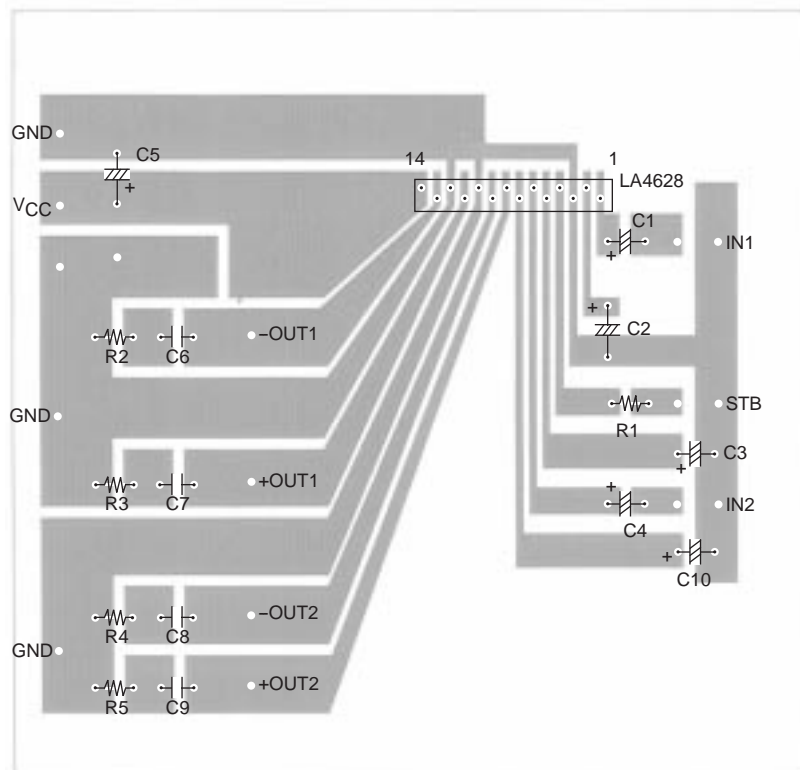
- Due to the system structure of the protection circuit for shorts to  $V_{CC}$  or ground, if there is a DC resistance between the amplifier output pins and ground, the protection circuit may operate when power is first applied and the amplifier may fail to turn on. The basic design approach we recommend is not to adopt any designs in which there is a DC resistance between the amplifier outputs and ground.
- The LA4628 includes a built-in thermal protection circuit to prevent the IC from being damaged or destroyed if abnormally high temperatures occur. This thermal protection circuit gradually reduces the output if the IC junction temperature ( $T_j$ ) reaches the range 170 to 180°C due to inadequate heat sinking or other problem. If the temperature falls, the amplifier will restart automatically.
- The LA4628 also includes other protection circuits. Use of these circuits also requires care during end product design and testing.

5. Other notes

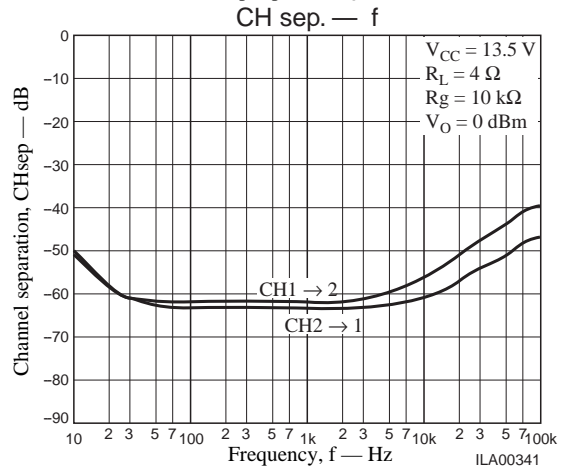
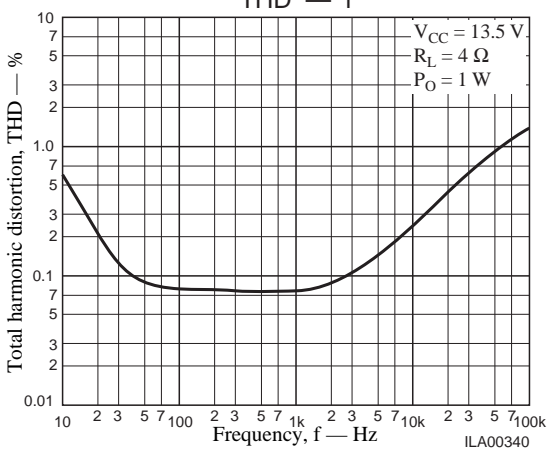
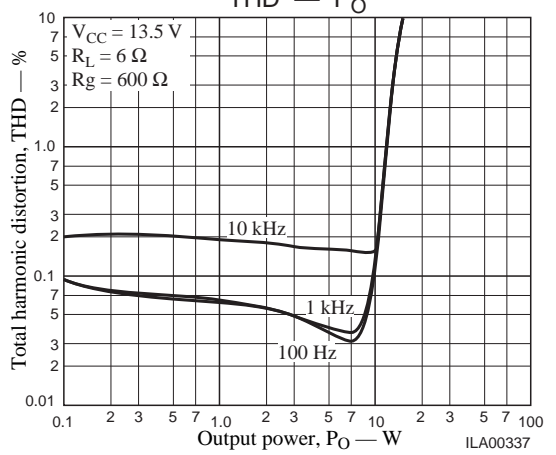
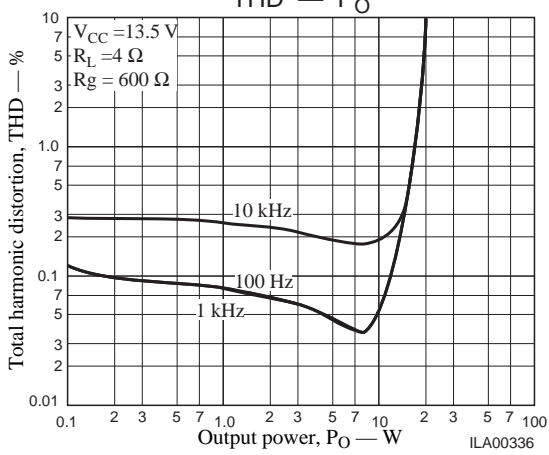
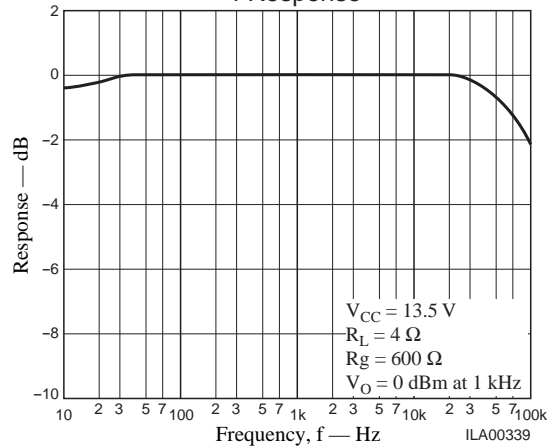
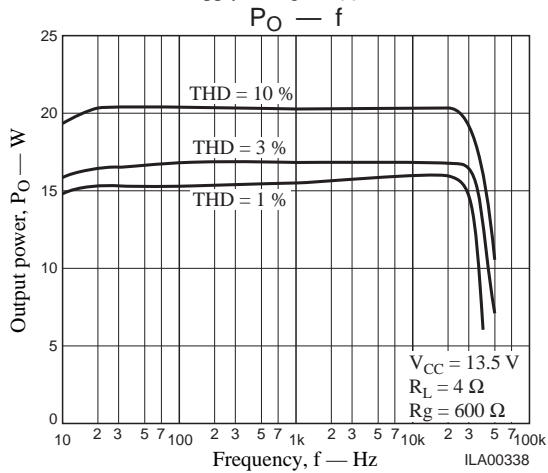
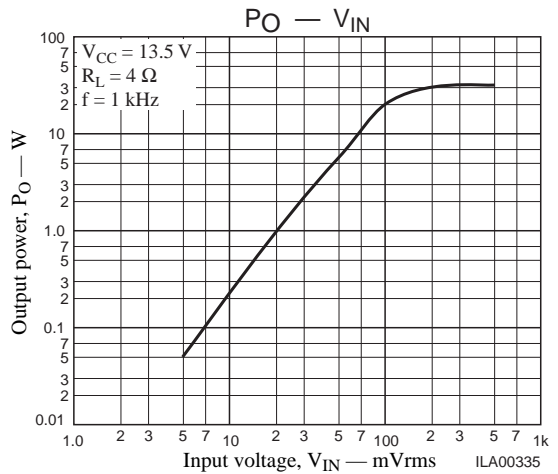
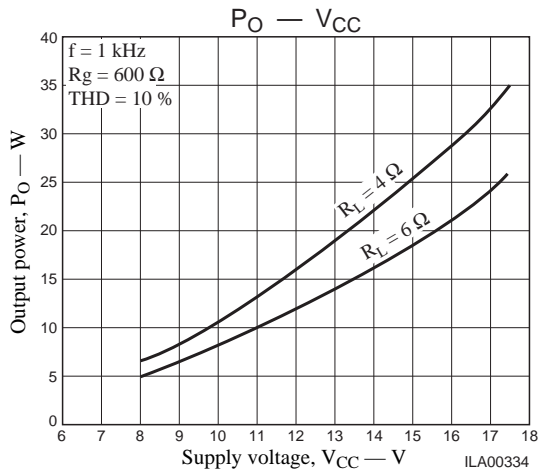
- The LA4628 is a BTL power amplifier. When testing this device, the ground systems for the test equipment connected to IC inputs, and that for the test equipment connected to IC outputs, must be isolated. Do not use a common ground.

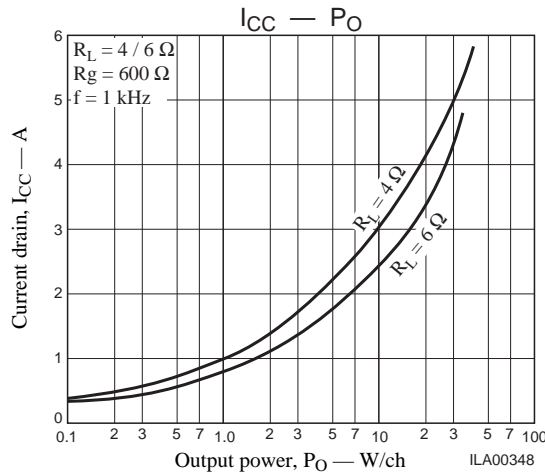
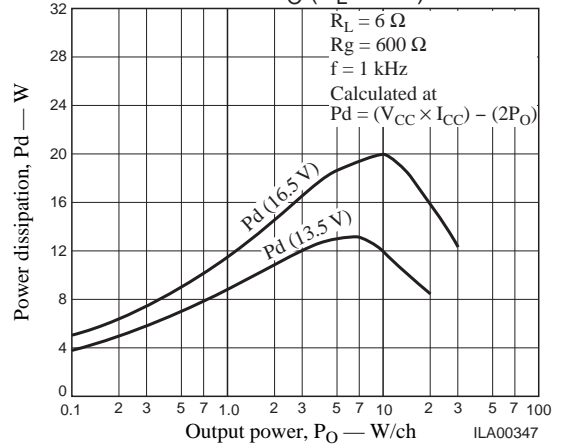
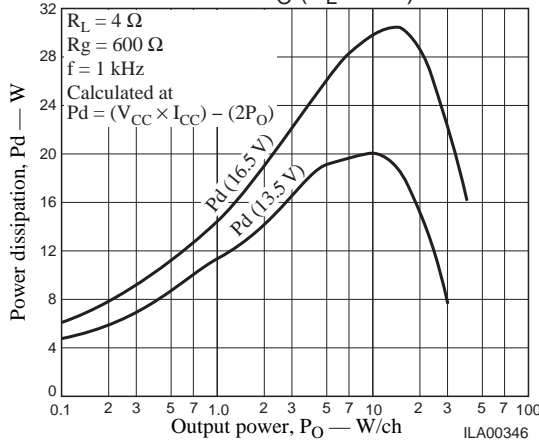
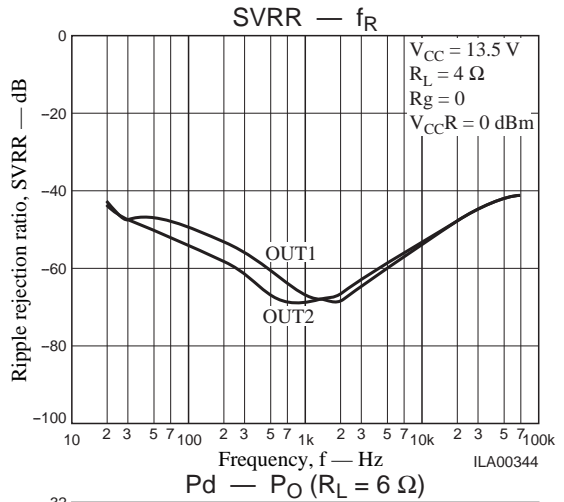
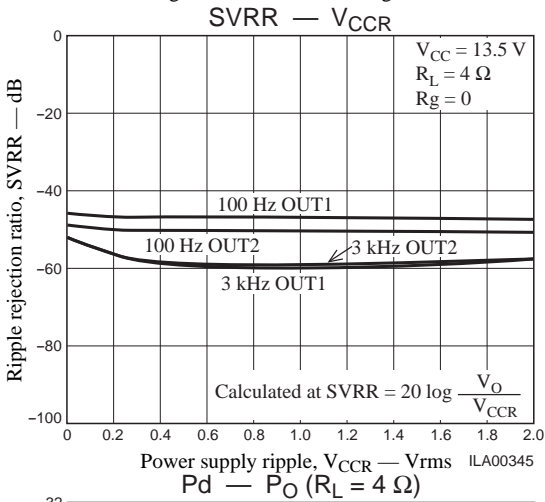
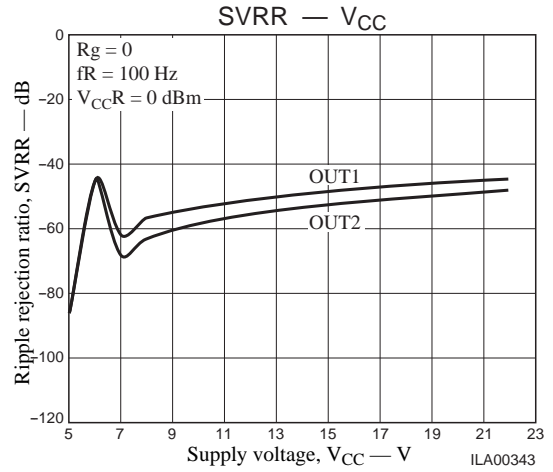
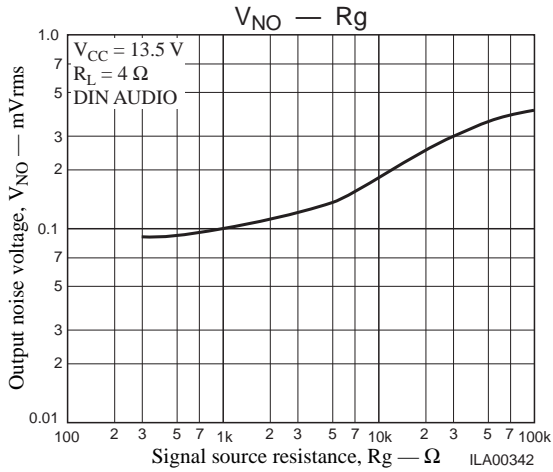
**Printed Circuit Pattern**

(copper foil side)



ILA00349





- Specifications of any and all SANYO products described or contained herein stipulate the performance, characteristics, and functions of the described products in the independent state, and are not guarantees of the performance, characteristics, and functions of the described products as mounted in the customer's products or equipment. To verify symptoms and states that cannot be evaluated in an independent device, the customer should always evaluate and test devices mounted in the customer's products or equipment.
- SANYO Electric Co., Ltd. strives to supply high-quality high-reliability products. However, any and all semiconductor products fail with some probability. It is possible that these probabilistic failures could give rise to accidents or events that could endanger human lives, that could give rise to smoke or fire, or that could cause damage to other property. When designing equipment, adopt safety measures so that these kinds of accidents or events cannot occur. Such measures include but are not limited to protective circuits and error prevention circuits for safe design, redundant design, and structural design.
- In the event that any or all SANYO products (including technical data, services) described or contained herein are controlled under any of applicable local export control laws and regulations, such products must not be exported without obtaining the export license from the authorities concerned in accordance with the above law.
- No part of this publication may be reproduced or transmitted in any form or by any means, electronic or mechanical, including photocopying and recording, or any information storage or retrieval system, or otherwise, without the prior written permission of SANYO Electric Co., Ltd.
- Any and all information described or contained herein are subject to change without notice due to product/technology improvement, etc. When designing equipment, refer to the "Delivery Specification" for the SANYO product that you intend to use.
- Information (including circuit diagrams and circuit parameters) herein is for example only; it is not guaranteed for volume production. SANYO believes information herein is accurate and reliable, but no guarantees are made or implied regarding its use or any infringements of intellectual property rights or other rights of third parties.

This catalog provides information as of September, 2000. Specifications and information herein are subject to change without notice.