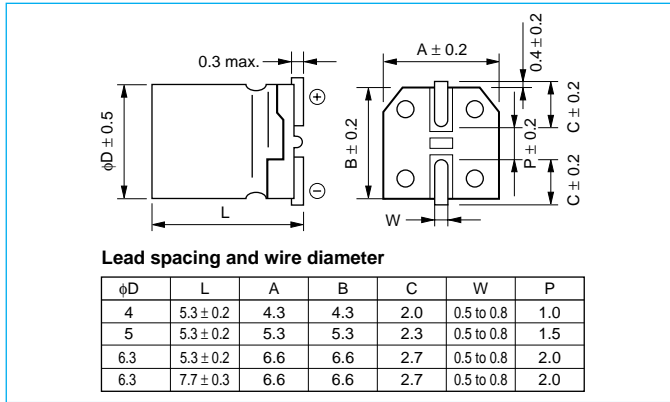


RV3 Vertical Chip Electrolytic Capacitors

Series RV3 Chip Aluminum Electrolytic Capacitors.

- For surface mount 85°C, 2000 hours guaranteed.
- Miniature, High CV version of RV2 Series.
- Carrier taping supplied.

Outline Drawing



Unit: mm

Photo



Specifications

No.	Item	Performance																				
1	Temperature range (°C)	-40 to +85°C																				
2	Leakage current (μA)	Less than 0.01 CV or 3 whichever is larger (after two minutes) C: Capacitance (μF), V: Voltage (V) (20°C)																				
3	Capacitance tolerance (%)	±20 (20°C, 120 Hz)																				
4	Tangent of loss angle (tan δ)	<table border="1"> <thead> <tr> <th>Rated voltage (V)</th> <th>6.3</th> <th>10</th> <th>16</th> <th>25</th> <th>35</th> <th>50</th> </tr> </thead> <tbody> <tr> <td>tan δ</td> <td>0.42</td> <td>0.32</td> <td>0.26</td> <td>0.18</td> <td>0.14</td> <td>0.12</td> </tr> </tbody> </table> (20°C, 120 Hz)	Rated voltage (V)	6.3	10	16	25	35	50	tan δ	0.42	0.32	0.26	0.18	0.14	0.12						
Rated voltage (V)	6.3	10	16	25	35	50																
tan δ	0.42	0.32	0.26	0.18	0.14	0.12																
5	Stability at low temperature	<table border="1"> <thead> <tr> <th>Rated voltage (V)</th> <th>6.3</th> <th>10</th> <th>16</th> <th>25</th> <th>35</th> <th>50</th> </tr> </thead> <tbody> <tr> <td rowspan="2">Impedance ratio</td> <td>Z-25°C/Z+20°C</td> <td>4</td> <td>3</td> <td>2</td> <td>2</td> <td>2</td> </tr> <tr> <td>Z-40°C/Z+20°C</td> <td>8</td> <td>8</td> <td>5</td> <td>5</td> <td>4</td> </tr> </tbody> </table> (120 Hz)	Rated voltage (V)	6.3	10	16	25	35	50	Impedance ratio	Z-25°C/Z+20°C	4	3	2	2	2	Z-40°C/Z+20°C	8	8	5	5	4
Rated voltage (V)	6.3	10	16	25	35	50																
Impedance ratio	Z-25°C/Z+20°C	4	3	2	2	2																
	Z-40°C/Z+20°C	8	8	5	5	4																
6	Endurance (85°C) (Applied ripple current)	<table border="1"> <thead> <tr> <th>Test time</th> <th>2000 hrs</th> </tr> </thead> <tbody> <tr> <td>Leakage current</td> <td>Initial specified value or less</td> </tr> <tr> <td>Change in capacitance</td> <td>Within ±30% of initial value</td> </tr> <tr> <td>tan δ</td> <td>300% or less of initial specified value</td> </tr> </tbody> </table>	Test time	2000 hrs	Leakage current	Initial specified value or less	Change in capacitance	Within ±30% of initial value	tan δ	300% or less of initial specified value												
Test time	2000 hrs																					
Leakage current	Initial specified value or less																					
Change in capacitance	Within ±30% of initial value																					
tan δ	300% or less of initial specified value																					
7	Max. storage temp. (85°C)	Test time 1000 hrs. Others have same as endurance. Votag application treatment.																				
8	Applicable Standards	JIS C 5101-1, 5101-18 1998 (IEC 60384-1 1992, 60384-18 1993)																				

Coefficients of Frequency for Ripple Current

Frequency (Hz)	50 • 60	120	1 k	10 k • 100 k
Rated Voltage (V)				
6.3 to 16	0.8	1	1.15	1.25
25 to 35	0.8	1	1.25	1.40
50	0.7	1	1.35	1.50

Coefficients of Temperature for Ripple Current

Temperature (°C)	+70 or less	+85
Coefficients	1.35	1

RV3 Vertical Chip Electrolytic Capacitors

Case size by working voltage & capacitance (in mm)

(mm)

WV(V) Cap.(μF)	6.3	10	16	25	35	50
4.7						4 x 5.3
10					4 x 5.3	5 x 5.3
22			4 x 5.3	→	5 x 5.3	6.3 x 5.3
33		4 x 5.3	→	5 x 5.3	6.3 x 5.3	6.3 x 7.7
47	4 x 5.3	→	5 x 5.3	6.3 x 5.3	→	6.3 x 7.7
68	→	5 x 5.3	→	6.3 x 5.3	6.3 x 7.7	
100	5 x 5.3	→	6.3 x 5.3	6.3 x 7.7		
150	6.3 x 5.3	→	6.3 x 7.7			
220	→	6.3 x 7.7				
330	6.3 x 7.7					

Standard Ratings

ELNA PART NO. / WV (V)	CAP. (μF)	SIZE (φ x L) (mm)	tan δ	ESR (Ω)	Ripple Current (mArms)
6.3 V					
RV3-6V470MD55-R	47	4 x 5.3	0.42	15.0	34
RV3-6V101ME55-R	100	5 x 5.3	0.42	7.0	58
RV3-6V151MF55-R	150	6.3 x 5.3	0.42	4.6	83
RV3-6V331MF80-R	330	6.3 x 7.7	0.42	2.1	139
10 V					
RV3-10V330MD55-R	33	4 x 5.3	0.32	16.0	33
RV3-10V680ME55-R	68	5 x 5.3	0.32	7.8	54
RV3-10V221MF80-R	220	6.3 x 7.7	0.32	2.4	130
16 V					
RV3-16V220MD55-R	22	4 x 5.3	0.26	20.0	30
RV3-16V470ME55-R	47	5 x 5.3	0.26	9.2	50
RV3-16V101MF55-R	100	6.3 x 5.3	0.26	6.3	103
RV3-16V151MF80-R	150	6.3 x 7.7	0.26	2.9	119
25 V					
RV3-25V330ME55-R	33	5 x 5.3	0.18	9.0	54
RV3-25V470MF55-R	47	6.3 x 5.3	0.18	6.4	75
RV3-25V680MF55-R	68	6.3 x 5.3	0.18	4.4	90
RV3-25V101MF80-R	100	6.3 x 7.7	0.18	3.0	124

ELNA PART NO. / WV (V)	CAP. (μF)	SIZE (φ x L) (mm)	tan δ	ESR (Ω)	Ripple Current (mArms)
35 V					
RV3-35V100MD55-R	10	4 x 5.3	0.14	23.0	27
RV3-35V220ME55-R	22	5 x 5.3	0.14	11.0	47
RV3-35V330MF55-R	33	6.3 x 5.3	0.14	7.0	67
RV3-35V680MF80-R	68	6.3 x 7.7	0.14	3.4	109
50 V					
RV3-50V4R7MD55-R	4.7	4 x 5.3	0.12	42.0	20
RV3-50V100ME55-R	10	5 x 5.3	0.12	20.0	34
RV3-50V220MF55-R	22	6.3 x 5.3	0.12	9.0	59
RV3-50V330MF80-R	33	6.3 x 7.7	0.12	6.0	82
RV3-50V470MF80-R	47	6.3 x 7.7	0.12	4.2	98

Note: ESR 120 Hz at 20°C.
Allowable Ripple Current 120 Hz at 105°C