

Aluminum Can Power Film Capacitors

RMPA

A polypropylene metallized film with cylindrical aluminium case plus plastic insulating deck flame retardant execution

■ Features

- Controlled self-healing
- Low losses
- High ripple current
- High capacitance density
- Long lifetime

■ Applications

- DC-LINK

■ Specifications

Reference Standard	VDE 0560 , IEC 071 , EN 61071
Climatic Category	40 / 70 / 21
Rated Temperature	+70°C
	±1.5% max on capacitance value measured at +20 °C
Operation Temperature Range	-40 to + 85 °C
Rated Voltage	400~1500 VDC
Capacitance Range(μ F)	1 μ F – 330 μ F
Capacitance Tolerance	±5%, ±10%

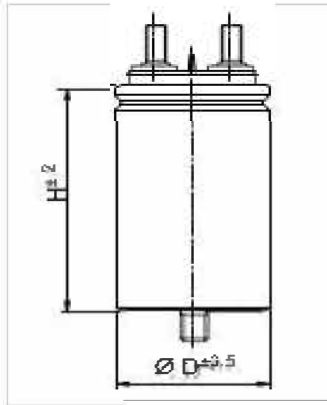
■ Part Number System

RMPA	400V	105	J	45	I		
Part-1	Part-2	Part-3	Part-4	Part-5	Part-6	Part-7	Part-8

- Part-1 : Series Code(Series Name)-RMPA
 Part-2 : Rated Voltage(400~1500VDC)
 Part-3 : Rated Capacitance Value(1 μ F – 330 μ F / 105~337)
 Part-4 : Capacitance Tolerance(J : ±5% K : ±10%)
 Part-5 : Case Diameter (60 / 72 / 80 / 90)
 Part-6 : I- Cylindrical type
 Part-7 : Internal Use
 Part-8 : Internal Use

CODE	STYLE
B	Bending Forming
C	Straight Cutting
D	D-Type Forming
L	B-Type long Forming
M	C-Type long Forming
S	Straight
X	B-Type Forming
Y	C-Type Forming
Z	Z-Type Forming
T	A-Type Tapping
U	B-Type Tapping
V	C-Type Tapping

■ Dimensions



C μF	Un Vdc	K $^{\circ}\text{C/W}$	Tg $\delta \times 10^{-4}$		ESR Typ. m Ω	I _{RMS} A	I _{PKR} A	Case		Approx Weight g	Part number
			Max	Typ.				D	H		
15	400	7.8	10	5	5	16	450	45	80	135	RMPA400V156J45I
20	400	6.2	10	5	5	18	600	45	80	135	RMPA400V206J45I
22	400	6.2	12	6	5	18	660	45	80	135	RMPA400V226J45I
25	400	6.2	12	7	5	18	750	45	80	135	RMPA400V256J45I
30	400	3.5	20	15	6	22	600	50	101	200	RMPA400V306J50I
40	400	2.7	20	15	6	25	800	50	101	200	RMPA400V406J50I
50	400	2.6	20	15	6	25	1000	50	101	200	RMPA400V506J50I
60	400	2.6	25	15	6	25	1200	60	101	240	RMPA400V606J60I
75	400	3.2	30	20	5	30	1500	60	101	240	RMPA400V156J60I
100	400	4	30	20	4	32	1500	60	138	315	RMPA400V107J60I
130	400	4	30	20	4	32	2000	65	138	360	RMPA400V137J65I
150	400	4	40	30	4	32	2250	70	138	530	RMPA400V157J70I
200	400	4	40	30	4	32	2000	76	138	740	RMPA400V207J76I
250	400	4	40	30	4	32	2500	85	150	900	RMPA400V257J85I
300	400	1.25	50	40	5	50	6000	85	185	1080	RMPA400V307J85I
330	400	1.25	50	40	5	50	6000	85	185	1150	RMPA400V337J85I
10	600	7.8	10	5	5	16	400	45	80	135	RMPA600V106J45I
15	600	7.7	10	5	4	18	600	45	105	160	RMPA600V156J45I
20	600	5.2	15	6	4	22	600	45	101	160	RMPA600V206J45I
22	600	5.3	15	6	3	25	660	50	101	200	RMPA600V226J50I
25	600	3.5	20	15	6	22	600	50	101	200	RMPA600V256J50I
30	600	10.3	15	7	2	25	900	50	101	200	RMPA600V306J50I
33	600	8	15	7	2	25	990	55	101	235	RMPA600V336J55I
40	600	8	10	6	2	25	1200	60	101	240	RMPA600V406J60I
50	600	3.2	15	10	5	25	1000	55	138	300	RMPA600V506J55I
60	600	3.1	15	8	5	32	1200	60	138	315	RMPA600V606J60I
70	600	3.2	25	15	5	32	1400	65	138	360	RMPA600V706J65I
75	600	3.2	25	15	5	32	1500	65	138	360	RMPA600V756J65I
80	600	3.2	25	15	5	32	1600	65	135	530	RMPA600V806J65I
100	600	3.2	25	15	5	32	2000	76	135	625	RMPA600V107J76I
100	600	1.25	15	10	5	50	3000	85	138	770	RMPA600V107J85I

Aluminum Can Power Film Capacitors

C μF	Un Vdc	K °C/W	Tgδ x 10 ⁻⁴		ESR Typ. mΩ	I _{RMS} A	I _{PKR} A	Case		Approx Weight g	Part number
			Max	Typ.				D	H		
5	700	13	8	2	3	16	250	45	80	135	RMPA700V505J45I_
6	700	13	8	2	3	16	300	45	80	135	RMPA700V605J45I_
7.5	700	10.3	10	3	3	18	375	45	80	135	RMPA700V755J45I_
10	700	10	10	3	3	18	500	50	101	200	RMPA700V106J50I_
15	700	5.3	15	6	3	25	600	50	101	200	RMPA700V156J50I_
20	700	5.3	15	10	3	25	800	50	101	200	RMPA700V206J50I_
22	700	5.3	15	10	3	25	880	55	101	235	RMPA700V226J55I_
25	700	5.3	15	10	3	25	1000	60	101	240	RMPA700V256J60I_
30	700	5.3	15	12	3	25	900	60	138	310	RMPA700V306J60I_
33	700	5.3	15	10	3	25	990	60	138	310	RMPA700V336J60I_
40	700	4	25	15	4	32	1200	65	138	360	RMPA700V406J65I_
50	700	4	25	15	4	32	1500	65	138	360	RMPA700V506J65I_
60	700	4	25	15	4	32	1800	76	138	625	RMPA700V606J76I_
70	700	4	25	15	4	32	2100	76	138	625	RMPA700V706J76I_
75	700	4	25	15	4	32	2250	85	137	770	RMPA700V756J85I_
100	700	2	15	10	3	50	4000	85	185	1150	RMPA700V107J85I_
3	850	7.8	10	5	5	16	180	45	80	135	RMPA850V305J45I_
5	850	7.8	10	5	5	16	300	45	80	135	RMPA850V505J45I_
6	850	6.2	10	5	5	18	360	45	80	135	RMPA850V605J45I_
8	850	4.1	10	6	5	22	400	45	105	200	RMPA850V805J45I_
10	850	3.2	10	6	5	25	500	50	101	200	RMPA850V106J50I_
15	850	2	10	7	8	25	750	60	101	240	RMPA850V156J60I_
20	850	2.6	10	7	6	25	1000	65	101	310	RMPA850V206J65I_
22	850	1.5	12	5	4	25	880	55	138	300	RMPA850V226J55I_
25	850	3.2	15	7	5	25	1000	55	138	300	RMPA850V256J55I_
30	850	3.2	15	8	5	32	1200	65	138	380	RMPA850V306J65I_
33	850	3.2	15	8	5	32	1320	65	138	360	RMPA850V336J65I_
35	850	3.2	15	10	5	32	1400	65	138	360	RMPA850V356J65I_
40	850	3.2	15	10	5	32	1600	76	138	580	RMPA850V406J76I_
50	850	3.2	20	10	5	32	2000	76	138	625	RMPA850V506J76I_
60	850	3.2	20	10	5	32	2400	85	137	770	RMPA850V606J85I_

RMPA

C μF	Un Vdc	K °C/W	Tgδ x 10 ⁻⁴		ESR Typ. mΩ	I _{RMS} A	I _{PKR} A	Case		Approx Weight g	Part number
			Max	Typ.				D	H		
1	1200	17.7	5	2.5	2.5	15	300	45	80	135	RMPA1200V105J45I
1.5	1200	17.7	5	2.5	2.5	15	450	45	80	135	RMPA1200V155J45I
2	1200	17.7	5	2.5	2.5	15	600	45	80	135	RMPA1200V205J45I
2.2	1200	19.5	5	2.5	2	16	660	45	80	135	RMPA1200V225J45I
2.5	1200	15.4	5	2.5	2	18	750	45	80	135	RMPA1200V255J45I
3	1200	12.5	5	2.5	2	20	900	50	76	150	RMPA1200V305J50I
4	1200	12.5	5	2.5	2	20	1200	50	101	200	RMPA1200V405J50I
5	1200	10.3	5	2.5	2	22	1500	50	101	200	RMPA1200V505J50I
5	1200	3.3	5	2.5	2	40	2000	50	138	280	RMPA1200V505J50I
6	1200	8	5	2.5	2	25	1800	55	101	235	RMPA1200V605J55I
6.8	1200	8	5	2.5	2	25	2040	60	101	240	RMPA1200V685J60I
7.5	1200	10.6	5	2.8	1.5	25	2250	50	138	280	RMPA1200V755J50I
8	1200	4.5	5	2.8	3.5	25	2000	55	138	300	RMPA1200V805J55I
10	1200	5.3	5	2.8	3	25	2500	55	138	300	RMPA1200V106J55I
10	1200	3.2	5	2.5	2	50	3000	60	138	310	RMPA1200V106J60I
10	1200	1.4	5	2.5	2	60	3500	65	158	350	RMPA1200V106J65I
12.5	1200	3.2	5	2.5	2	50	3750	76	138	625	RMPA1200V126J76I
15	1200	6.4	5	2.8	2.5	32	3750	76	138	625	RMPA1200V156J76I
20	1200	6.4	5	2.8	2.5	32	5000	85	137	770	RMPA1200V206J85I
22	1200	1.1	5	2.5	2.5	50	6600	76	200	940	RMPA1200V226J76I
1	1500	17.7	5	2.5	2.5	15	700	45	80	135	RMPA1500V105J45I
2	1500	15.6	5	2.8	2.5	16	800	50	76	150	RMPA1500V205J50I
3	1500	10.3	5	2.8	2	22	1200	50	101	200	RMPA1500V305J50I
4	1500	8	5	2.8	2	25	1600	60	101	265	RMPA1500V405J60I
5	1500	8	5	2.8	2	25	2000	65	101	350	RMPA1500V505J65I
7.5	1500	5.3	5	2.8	3	25	2250	65	138	380	RMPA1500V755J65I
10	1500	5.3	5	2.8	3	32	3000	70	138	530	RMPA1500V106J70I
12	1500	5.3	5	2.8	3	32	3600	85	137	770	RMPA1500V126J85I
15	1500	5.3	5	2.8	3	32	4500	85	137	770	RMPA1500V156J85I