

ALUMINUM ELECTROLYTIC CAPACITORS



SC Series

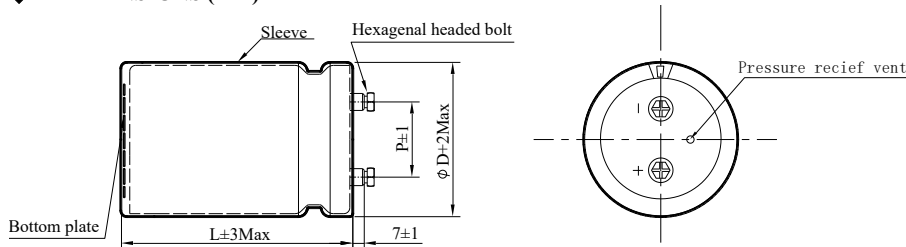


- High ripple, suitable to use in industrial power supplies for inverter circuitry, etc

◆ SPECIFICATIONS

Item	Performance Characteristics			
Category Temperature Range	-25 ~ +85°C			
Working Voltage Range	200 ~ 600Vdc			
Capacitance Range	820 ~ 33,000μF			
Capacitance Tolerance	±20% (at 25°C and 120Hz)			
Dissipation Factor (tanδ) (at 25°C, 120Hz)	Rated Voltage (V)	200~250	340~450	500~600
	tanδ(Max)	0.20	0.20	0.25
Leakage Current	I=0.01CV or 5000μA, whichever is smaller I : Leakage current (μA) C : Rated capacitance (μF) V : Rated voltage (V) Impress the rated voltage for 5 minutes			
Endurance	The following specifications shall be satisfied when the capacitors are restored to 25°C after subjected to DC voltage with the rated ripple current is applied for 2,000 hours at 85°C.			
	Capacitance change	≧ ± 15% of the initial value		
	Dissipation factor(tanδ)	≧ 175% of the specified value		
Shelf Life	The following requirements shall be satisfied when the capacitor are restored to 25°C after exposing them for 500 hours at 85°C without voltage applied.			
	Capacitance change	≧ ± 15% of the initial value		
	Dissipation factor(tanδ)	≧ 175% of the specified value		
Others	Conforms to JIS-C-5101-4 (1998)			

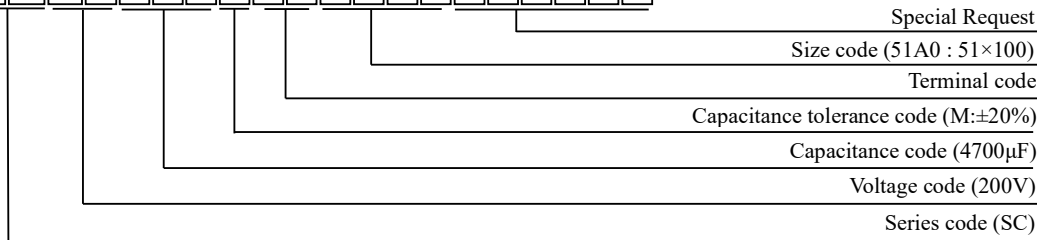
◆ DIMENSIONS (mm)



ΦD	51	64	76	90
P±1	22.4	28.0	31.5	31.5

◆ PART NUMBER SYSTEM (Example : 200V 4700μF)

S C 2 D 4 7 2 M L S 5 1 A 0 H 1



ALUMINUM ELECTROLYTIC CAPACITORS



SC Series

STANDARD RATINGS

WV (Vdc)	Cap (µF)	Case Size (mm) ΦD×L	Rated Ripple current (A rms/ 85°C, 120Hz)	Part Number
200 (2D)	3300	51×80	4.9	SC2D332MLS5180H1
	3900	51×80	5.3	SC2D392MLS5180H1
	4700	51×100	6.4	SC2D472MLS51A0H1
	4700	64×80	6.4	SC2D472MLS6480H1
	5600	51×120	7.5	SC2D562MLS51C0H1
	5600	64×80	7.5	SC2D562MLS6480H1
	6800	51×120	8.7	SC2D682MLS51C0H1
	6800	64×100	8.7	SC2D682MLS64A0H1
	8200	64×100	9.3	SC2D822MLS64A0H1
	10000	64×100	10.3	SC2D103MLS64A0H1
	12000	64×120	12	SC2D123MLS64C0H1
	12000	76×100	12	SC2D123MLS76A0H1
	15000	76×100	14.4	SC2D153MLS76A0H1
	18000	76×120	16.5	SC2D183MLS76C0H1
	18000	90×100	16.5	SC2D183MLS90A0H1
	22000	76×150	19.6	SC2D223MLS76F0H1
	22000	90×120	19.6	SC2D223MLS90C0H1
27000	76×150	21.5	SC2D273MLS76F0H1	
27000	90×120	21.5	SC2D273MLS90C0H1	
33000	90×150	25.5	SC2D333MLS90F0H1	
250 (2E)	2200	51×80	3.9	SC2E222MLS5180H1
	2700	51×80	4.4	SC2E272MLS5180H1
	3300	51×100	5.4	SC2E332MLS51A0H1
	3900	51×120	6.2	SC2E392MLS51C0H1
	3900	64×80	6.2	SC2E392MLS6480H1
	4700	51×120	7.1	SC2E472MLS51C0H1
	4700	64×100	7.1	SC2E472MLS64A0H1
	5600	64×100	7.7	SC2E562MLS64A0H1
	6800	64×120	9.1	SC2E682MLS64C0H1
	8200	64×120	10	SC2E822MLS64C0H1
	8200	76×100	10	SC2E822MLS76A0H1
	10000	76×100	11.6	SC2E103MLS76A0H1
	12000	76×120	12.8	SC2E123MLS76C0H1
	15000	76×120	15	SC2E153MLS76C0H1
	15000	90×100	15	SC2E153MLS90A0H1
	18000	76×150	17.6	SC2E183MLS76F0H1
	18000	90×100	14.5	SC2E183MLS90A0H1
22000	90×150	20.9	SC2E223MLS90F0H1	
350 (2V)	1200	51×80	4.2	SC2V122MLS5180H1
	1500	51×80	4.9	SC2V152MLS5180H1
	1800	51×100	5.6	SC2V182MLS51A0H1
	2200	51×100	6.7	SC2V222MLS51A0H1
	2200	64×80	7	SC2V222MLS6480H1
	2700	51×120	8	SC2V272MLS51C0H1
	2700	64×100	8.4	SC2V272MLS64A0H1
	3300	64×100	9.6	SC2V332MLS64A0H1
	3900	64×120	10.4	SC2V392MLS64C0H1
	4700	76×100	11.9	SC2V472MLS76A0H1
	5600	76×120	13.5	SC2V562MLS76C0H1
	5600	90×100	14.4	SC2V562MLS90A0H1
	6800	76×150	16	SC2V682MLS76F0H1
	6800	90×120	16.2	SC2V682MLS90C0H1
	8200	76×150	18.7	SC2V822MLS76F0H1
	8200	90×120	19	SC2V822MLS90C0H1
	10000	90×150	20	SC2V103MLS90F0H1
12000	90×150	21.3	SC2V123MLS90F0H1	
400 (2W)	1000	51×80	3.8	SC2G102MLS5180H1
	1200	51×80	4.5	SC2G122MLS5180H1

WV (Vdc)	Cap (µF)	Case Size (mm) ΦD×L	Rated Ripple current (A rms/ 85°C, 120Hz)	Part Number
400 (2G)	1500	51×100	5.3	SC2G152MLS51A0H1
	1800	51×100	6	SC2G182MLS51A0H1
	1800	64×80	6.3	SC2G182MLS6480H1
	2200	51×120	7	SC2G222MLS51C0H1
	2200	64×100	6.8	SC2G222MLS64A0H1
	2700	64×100	8.2	SC2G272MLS64A0H1
	3300	64×120	9.6	SC2G332MLS64C0H1
	3300	76×100	9.3	SC2G332MLS76A0H1
	3900	76×120	10.5	SC2G392MLS76C0H1
	4700	76×120	12.3	SC2G472MLS76C0H1
	4700	90×100	13.1	SC2G472MLS90A0H1
	5600	76×120	14.3	SC2G562MLS76C0H1
	5600	90×100	14.5	SC2G562MLS90A0H1
	6800	76×150	16	SC2G682MLS76F0H1
	6800	90×120	16.3	SC2G682MLS90C0H1
	8200	90×150	19	SC2G822MLS90F0H1
	10000	90×180	21	SC2G103MLS90I0H1
450 (2W)	820	51×80	3.6	SC2W821MLS5180H1
	1000	51×80	4	SC2W102MLS5180H1
	1200	51×100	4.7	SC2W122MLS51A0H1
	1500	51×120	5.4	SC2W152MLS51C0H1
	1500	64×80	5.6	SC2W152MLS6480H1
	1800	51×120	5.9	SC2W182MLS51C0H1
	1800	64×100	6.1	SC2W182MLS64A0H1
	2200	64×100	7.2	SC2W222MLS64A0H1
	2700	64×120	8.6	SC2W272MLS64C0H1
	2700	76×100	8.3	SC2W272MLS76A0H1
	3300	76×100	9.7	SC2W332MLS76A0H1
	3900	76×120	11.2	SC2W392MLS76C0H1
	3900	90×100	11.3	SC2W392MLS90A0H1
	4700	76×150	12.9	SC2W472MLS76F0H1
	4700	90×100	13.1	SC2W472MLS90A0H1
	5600	76×150	15.3	SC2W562MLS76F0H1
	5600	90×120	15.3	SC2W562MLS90C0H1
8200	90×150	17.3	SC2W822MLS90F0H1	
500 (2H)	820	51×90	3.7	SC2H821MLS5190H1
	1000	51×100	4.1	SC2H102MLS51A0H1
	1200	51×110	4.8	SC2H122MLS51B0H1
	1500	51×130	5.6	SC2H152MLS51D0H1
	1500	64×100	5.6	SC2H152MLS64A0H1
	1800	64×110	6.2	SC2H182MLS64B0H1
	2200	64×120	7.3	SC2H222MLS64C0H1
	2200	76×100	7.2	SC2H222MLS76A0H1
	2700	64×140	8.7	SC2H272MLS64E0H1
	2700	76×110	8.5	SC2H272MLS76B0H1
	3300	76×120	9.9	SC2H332MLS76C0H1
	3900	76×140	11.4	SC2H392MLS76E0H1
	3900	90×110	11.3	SC2H392MLS90B0H1
	4700	76×160	13.1	SC2H472MLS76G0H1
	4700	90×130	13.1	SC2H472MLS90D0H1
	5600	76×190	15.4	SC2H562MLS76J0H1
	5600	90×150	15.3	SC2H562MLS90F0H1
8200	90×190	17.4	SC2H822MLS90J0H1	
550 (2L)	820	51×90	3.9	SC2L821MLS5190H1
	1000	51×110	4.3	SC2L102MLS51B0H1
	1200	51×130	5	SC2L122MLS51D0H1
	1200	64×90	4.8	SC2L122MLS6490H1
	1500	64×110	5.9	SC2L152MLS64B0H1

SC Series

STANDARD RATINGS

WV (Vdc)	Cap (μF)	Case Size (mm) ΦD×L	Rated Ripple current (Arms/ 85°C, 120Hz)	Part Number
550 (2L)	1800	64×120	6.3	SC2L182MLS64C0H1
	2200	64×140	7.5	SC2L222MLS64E0H1
	2200	76×110	7.5	SC2L222MLS76B0H1
	2700	64×170	8.9	SC2L272MLS64H0H1
	2700	76×130	8.7	SC2L272MLS76D0H1
	3300	76×150	10.1	SC2L332MLS76F0H1
	3300	90×120	10.1	SC2L332MLS90C0H1
	3900	76×170	11.6	SC2L392MLS76H0H1
	3900	90×130	11.4	SC2L392MLS90D0H1
	4700	76×190	13.5	SC2L472MLS76J0H1
	4700	90×150	13.2	SC2L472MLS90F0H1
	5600	90×170	15.6	SC2L562MLS90H0H1
	6800	90×200	16.3	SC2L682MLS90K0H1
600 (2J)	1200	64×100	5.4	SC2J122MLS64A0H1
	1500	64×120	6.6	SC2J152MLS64C0H1

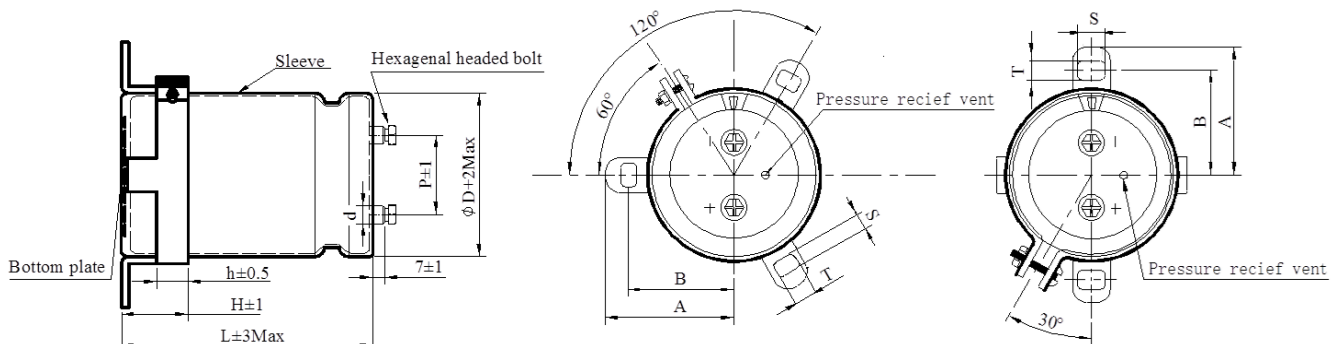
WV (Vdc)	Cap (μF)	Case Size (mm) ΦD×L	Rated Ripple current (Arms/ 85°C, 120Hz)	Part Number
600 (2J)	1800	64×135	7.5	SC2J182MLS64D5H1
	1800	76×100	7.2	SC2J182MLS76A0H1
	2200	64×155	8.3	SC2J222MLS64F5H1
	2200	76×120	8	SC2J222MLS76C0H1
	2700	64×185	9.7	SC2J272MLS64I5H1
	2700	76×135	9.4	SC2J272MLS76D5H1
	3300	64×220	11	SC2J332MLS64M0H1
	3300	76×160	10.8	SC2J332MLS76G0H1
	3900	76×185	12.4	SC2J392MLS76I5H1
	3900	90×140	12.2	SC2J392MLS90E0H1
	4700	76×215	14.3	SC2J472MLS76L5H1
	4700	90×165	14	SC2J472MLS90G5H1
	5600	90×190	16.5	SC2J562MLS90J0H1
	6800	90×220	17.1	SC2J682MLS90M0H1

RIPPLE CURRENT MULTIPLIERS

Frequency Multipliers

Vdc	Frequency (Hz)				
	60	120	360	1K	10K
200 ~ 450	0.82	1.00	1.20	1.35	1.40
500 ~ 600	0.80	1.00	1.10	1.30	1.35

DIMENSIONS (Screw-Mount) [mm]



Terminal pitch and Nominal dia. of bolt

Terminal Code	ΦD	P±1	Nominal dia. of bolt	d±0.5
LS	51	22.4	M5	10
	64	28.0	M5	10
	76	31.5	M5	10
	90	31.5	M5	10
LA	64	28.0	M5	13
	76	31.5	M5	13
	90	31.5	M5	13
LB	76	31.5	M6	17
	90	31.5	M6	17

Dimensions of mounting bracket

Leg shape	ΦD	A±2	B±1	T±0.5	S±0.5	H±1	h±0.5
2 - Leg (Code:K1)	51	40.0	34.0	7.0	5.0	30	24
	64	46.5	40.5	7.0	5.0	30	24
	76	53.0	46.8	7.0	5.0	30	24
	90	60.3	54.0	7.0	5.0	35	20
	54	36.5	31.8	7.0	5.0	30	24
3 - Leg (Code:K2)	64	43.6	38.1	7.0	5.0	30	24
	76	50.2	44.5	7.0	5.0	30	24
	90	56.5	50.8	7.0	5.0	30	24