



NIPPON CHEMI-CON CORPORATION

Products Lineup
Film Capacitors

105°C Radial Lead Type Film Capacitors HACD Series
FHACD162V473J1LHZ0

Downsizing High Voltage
Operating temperature 105°C max.

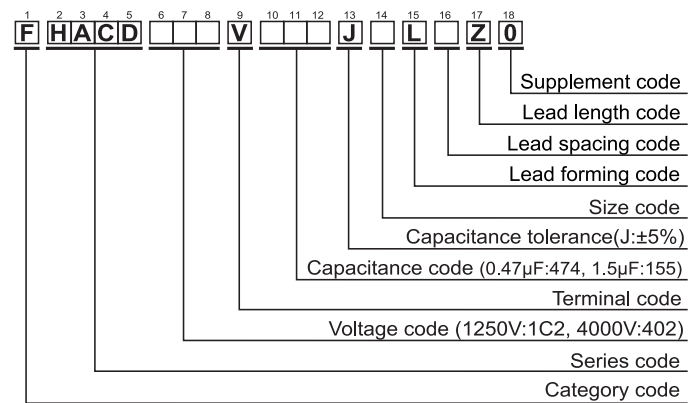
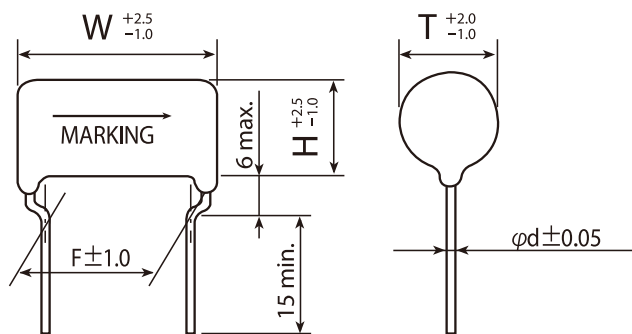
Product Information

| | | | |
|----------------------------|--------------------|------------------------------------|--------------------------|
| Part Number | FHACD162V473J1LHZ0 | Status | In Production |
| Series | HACD | Polarity | Non-polar |
| Category Temperature Range | -40~105 °C | Rated Voltage | 1600 Vdc |
| Capacitance | 0.047 μ F | Capacitance Tolerance | -5~5%(J) / 1000Hz |
| Dimensions W | 22.7mm | Dimensions H | 13.8mm |
| Dimensions T | 13.2mm | Rated Ripple Current | 2.85Arms / 85°C / 100kHz |
| Rated Ripple Voltage | 350 Vac / 50/60Hz | Dissipation Factor (tan δ) | 0.05 max / 1000Hz |
| Terminal Coating | Sn | Reference Weight | 4.7g |
| Minimum Order Quantity | 300 pcs | RoHS Compliant | Compliant |

Dimension [mm]

Part Numbering System

◆ DIMENSIONS (mm)



© Nippon Chemi-Con Corporation. All rights reserved.