

**PHILIPS**

Data handbook



Electronic  
components  
and materials

Components and  
materials

Book C15

1987

Ceramic capacitors

PHILIPS

Ceramic capacitors

C15

1987

## CERAMIC CAPACITORS

	<i>page</i>
<b>Selection guide</b> . . . . .	3
<b>Introduction</b>	
General . . . . .	5
Construction . . . . .	6
Equivalent circuit . . . . .	7
Tangent of the loss angle. . . . .	7
Reliability . . . . .	8
<b>Miniature ceramic plate capacitors</b>	
Device specifications . . . . .	9
General data. . . . .	55
Maintenance types. . . . .	67
<b>Ceramic multilayer capacitors</b>	
Device specifications . . . . .	105
Appendix I (conversion list type number-to-12NC-catalogue number; standard packing) . . . . .	125
Appendix II (conversion list type number-to-12NC-catalogue number; 100-pieces bulk packing). . . . .	151



## DATA HANDBOOK SYSTEM

Our Data Handbook System comprises more than 60 books with specifications on electronic components, subassemblies and materials. It is made up of four series of handbooks:

ELECTRON TUBES	BLUE
SEMICONDUCTORS	RED
INTEGRATED CIRCUITS	PURPLE
COMPONENTS AND MATERIALS	GREEN

The contents of each series are listed on pages iv to vii.

The data handbooks contain all pertinent data available at the time of publication, and each is revised and reissued periodically.

When ratings or specifications differ from those published in the preceding edition they are indicated with arrows in the page margin. Where application information is given it is advisory and does not form part of the product specification.

Condensed data on the preferred products of Philips Electronic Components and Materials Division is given in our Preferred Type Range catalogue (issued annually).

Information on current Data Handbooks and on how to obtain a subscription for future issues is available from any of the Organizations listed on the back cover.

Product specialists are at your service and enquiries will be answered promptly.

## ELECTRON TUBES (BLUE SERIES)

The blue series of data handbooks comprises:

- T1** Tubes for r.f. heating
- T2a** Transmitting tubes for communications, glass types
- T2b** Transmitting tubes for communications, ceramic types
- T3** Klystrons
- T4** Magnetrons for microwave heating
- T5** Cathode-ray tubes  
Instrument tubes, monitor and display tubes, C.R. tubes for special applications
- T6** Geiger-Müller tubes
- T8** Colour display systems  
Colour TV picture tubes, colour data graphic display tube assemblies, deflection units
- T9** Photo and electron multipliers
- T10** Plumbicon camera tubes and accessories
- T11** Microwave semiconductors and components
- T12** Vidicon and Newvicon camera tubes
- T13** Image intensifiers and infrared detectors
- T15** Dry reed switches
- T16** Monochrome tubes and deflection units  
Black and white TV picture tubes, monochrome data graphic display tubes, deflection units

## SEMICONDUCTORS (RED SERIES)

The red series of data handbooks comprises:

- S1 Diodes**  
Small-signal silicon diodes, voltage regulator diodes (< 1,5 W), voltage reference diodes, tuner diodes, rectifier diodes
- S2a Power diodes**
- S2b Thyristors and triacs**
- S3 Small-signal transistors**
- S4a Low-frequency power transistors and hybrid modules**
- S4b High-voltage and switching power transistors**
- S5 Field-effect transistors**
- S6 R.F. power transistors and modules**
- S7 Surface mounted semiconductors**
- S8a Light-emitting diodes**
- S8b Devices for optoelectronics**  
Optocouplers, photosensitive diodes and transistors, infrared light-emitting diodes and infrared sensitive devices, laser and fibre-optic components
- S9 Power MOS transistors**
- S10 Wideband transistors and wideband hybrid IC modules**
- S11 Microwave transistors**
- S12 Surface acoustic wave devices**
- S13 Semiconductor sensors**
- \*S14 Liquid Crystal Displays**

\*To be issued shortly.

## INTEGRATED CIRCUITS (PURPLE SERIES)

The NEW SERIES of handbooks is now completed. With effect from the publication date of this handbook the "N" in the handbook code number will be deleted.  
Handbooks to be replaced during 1986 are shown below.

The purple series of handbooks comprises:

<b>IC01</b>	<b>Radio, audio and associated systems</b> Bipolar, MOS	new issue 1986 IC01N 1985
<b>IC02a/b</b>	<b>Video and associated systems</b> Bipolar, MOS	new issue 1986 IC02Na/b 1985
<b>IC03</b>	<b>Integrated circuits for telephony</b> Bipolar, MOS	new issue 1987 IC03N 1985
<b>IC04</b>	<b>HE4000B logic family</b> CMOS	new issue 1986 IC4 1983
<b>IC05N</b>	<b>HE4000B logic family – uncased ICs</b> CMOS	published 1984
<b>IC06N</b>	<b>High-speed CMOS; PC74HC/HCT/HCU</b> Logic family	published 1986
<b>IC08</b>	<b>ECL 10K and 100K logic families</b>	New issue 1986 IC08N 1984
<b>IC09N</b>	<b>TTL logic series</b>	published 1986
<b>IC10</b>	<b>Memories</b> MOS, TTL, ECL	new issue 1986 IC7 1982
<b>IC11N</b>	<b>Linear LSI</b>	published 1985
<b>Supplement to IC11N</b>	<b>Linear LSI</b>	published 1986
<b>IC12</b>	<b>I<sup>2</sup>C-bus compatible ICs</b>	not yet issued
<b>IC13</b>	<b>Semi-custom</b> Programmable Logic Devices (PLD)	new issue 1986 IC13N 1985
<b>IC14</b>	<b>Microcontrollers and peripherals</b> Bipolar, MOS	published 1986
<b>IC15</b>	<b>FAST TTL logic series</b>	new issue 1986 IC15N 1985
<b>IC16</b>	<b>CMOS integrated circuits for clocks and watches</b>	first issue 1986
<b>IC17</b>	<b>Integrated Services Digital Networks (ISDN)</b>	not yet issued
<b>IC18</b>	<b>Microprocessors and peripherals</b>	new issue 1986

## COMPONENTS AND MATERIALS (GREEN SERIES)

The green series of data handbooks comprises:

- C2** Television tuners, coaxial aerial input assemblies, surface acoustic wave filters
- C3** Loudspeakers
- C4** Ferroxcube potcores, square cores and cross cores
- C5** Ferroxcube for power, audio/video and accelerators
- C6** Synchronous motors and gearboxes
- C7** Variable capacitors
- C8** Variable mains transformers
- C9** Piezoelectric quartz devices
- C11** Varistors, thermistors and sensors
- C12** Potentiometers, encoders and switches
- C13** Fixed resistors
- C14** Electrolytic and solid capacitors
- C15** Ceramic capacitors
- C16** Permanent magnet materials
- C17** Stepping motors and associated electronics
- C18** Direct current motors
- C19** Piezoelectric ceramics
- C20** Wire-wound components for TVs and monitors
- C22** Film capacitors



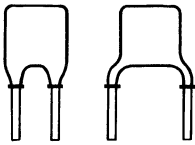
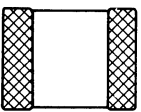
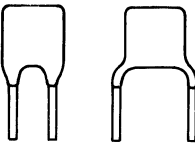


**SELECTION GUIDE**  
**INTRODUCTION**



SELECTION GUIDE

CERAMIC CAPACITORS

type	class	application	series number 2222 . . .	nominal capacitance pF	rated voltage ( $U_R$ ) V	page		
<b>Plate; leads with flange</b>  	1	high-frequency circuits	678 to 683 688; 689	0,56 to 560	100	33 ←		
		temperature compensating	652					
		high stability	653 654	0,47 to 270	500	21		
		space saving	691	0,47 to 270	500	47		
		general purpose	629 630	1000 to 22 000 180 to 4 700	63 100	11		
	2	coupling/decoupling	640	1000 to 10 000	100			
		space saving	655	100 to 2 700	500	29		
		<b>Multilayer; surface mounted</b>  	1	high-frequency circuits,		0,47 to 10 000	50	107
				temperature compensating				
			high stability					
space saving								
2	general purpose		180 to 1 000 000	50	107			
<b>Plate; maintenance types</b>  	1	high-frequency circuits	631, 638, 641, 642	0,56 to 560	100	79		
		temperature compensating						
		high stability	650					
		space saving	651	0,47 to 270	500	93		
	2	general purpose	629	1000 to 22 000	63			
		coupling/decoupling	630	180 to 4 700	100	69		
		space saving	640	1000 to 10 000	100			
		655	100 to 2 700	500	101			



## INTRODUCTION

### 1. GENERAL

Ceramic capacitors are widely used in electronic circuitry for coupling and decoupling, and in filters. These different functions require specific capacitor properties.

Ceramic capacitors can be divided into two classes:

**Class 1** In these capacitors dielectric materials are used which have very high specific resistance, very good Q and linear temperature dependence ( $\epsilon_r$  from 6 up to 250). They are used in such applications as oscillators and filters where low losses, capacitance drift compensation and high stability are required.

**Class 2** These capacitors have higher losses and have non-linear temperature characteristics ( $\epsilon_r > 250$ ). They are used for coupling and decoupling.

The survey below shows the various materials we use for plate capacitors and their basic chemical composition.

class 1 $\epsilon_r = 6$ up to 250, T.C. types	colour code T.C.-value	body colour
P100 (+100 x 10 <sup>-6</sup> /K) MgTiO <sub>3</sub> , Mg <sub>2</sub> SiO <sub>4</sub>	red-violet	grey
NP0 ( 0 x 10 <sup>-6</sup> /K) MgTiO <sub>3</sub>	black	grey
N075 (-75 x 10 <sup>-6</sup> /K) } BaNd <sub>2</sub> (Bi <sub>2</sub> )Ti <sub>5</sub> O <sub>x</sub> + TiO <sub>2</sub>	red	grey
N150 (-150 x 10 <sup>-6</sup> /K) }	orange	grey
N220 (-220 x 10 <sup>-6</sup> /K) }	yellow	grey
N330 (-330 x 10 <sup>-6</sup> /K) }	green	grey
N470 (-470 x 10 <sup>-6</sup> /K) }	blue	grey
N750 (-750 x 10 <sup>-6</sup> /K) TiO <sub>2</sub> + additions	violet	grey
N1500 (-1500 x 10 <sup>-6</sup> /K) CaTiO <sub>3</sub> + additions	orange/orange	grey
class 2 $\epsilon_r > 250$ , high-K types	colour code K-value	body colour
$\epsilon_r = 2000$ Ba(Bi)TiO <sub>3</sub>	yellow	tan
$\epsilon_r = 5000$ (Ba, Ca) (Ti, Zr) O <sub>3</sub> + add.	blue	tan
$\epsilon_r = 14000$ (Ba, Ca) (Ti, Zr) O <sub>3</sub> + add.	green	tan

# CERAMIC CAPACITORS

## 2. CONSTRUCTION

The capacitance of a ceramic capacitor depends on the area of the electrodes (A), the thickness of the ceramic dielectric (t) and the dielectric constant of the ceramic material ( $\epsilon_r$ ); and on the number of dielectric layers (n) with multilayer ceramic capacitors:

$$C = \epsilon_r \epsilon_0 \frac{A}{t} (n)$$

The working voltage is dependent on the dielectric strength.

Two constructions are shown in the figures below:

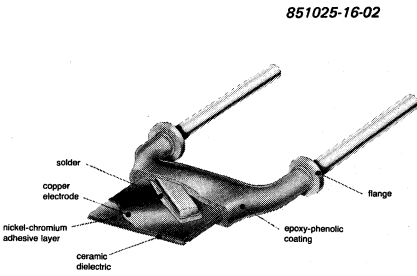


Fig. 1 Plate capacitor.

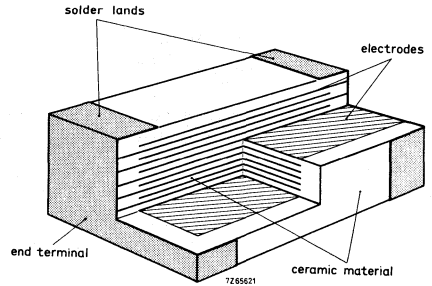


Fig. 2 Cross-section of a multilayer capacitor.

The electrodes are normally silver or some other good electrical conductor. For multilayer capacitors palladium or platinum is used since the electrodes are applied before the ceramic is fired at a temperature where silver would oxidize.

### → The dielectric material

The raw materials are finely milled and carefully mixed. Thereafter the powders are calcined at temperatures between 1100 and 1300 °C to achieve the required chemical compositions. The resultant mass is reground and dopes and/or sintering means are added.

The finely ground material is mixed with a solvent and binding matter. Thin sheets are obtained by casting or rolling.

For plate capacitors these sheets are fired in a carefully controlled atmosphere at temperatures between 1200 and 1400 °C. For multilayer capacitors electrode material is printed on the sheets and after stacking and pressing of the sheets cofired with the ceramic compact at temperatures between 100 and 1400 °C.

To prevent silver migration under humid conditions plate capacitors have copper electrodes. The totally in the ceramic enclosed electrodes of a multilayer capacitor guarantee gold life test behaviour as well. As an extra precaution to ensure a good behaviour under humid conditions and to protect the electrodes the capacitors are lacquered.

The capacitance is marked on the body of the plate capacitors. The temperature coefficient or temperature dependence are indicated by colour coding in accordance with international standards (see the table on the preceding page).

### 3. EQUIVALENT CIRCUIT

Figure 3 shows the equivalent circuit of a capacitor.

$C$  is the capacitance between the two electrodes, plus the stray capacitances at the edges and between the leads.

$R_p$  is the insulation resistance of insulation and dielectric. Generally  $R_p$  is very high, and of decreasing importance with increasing frequency.

$R_p$  also represents the polarization losses of the dielectric material in an alternating electric field.

$R_s$  is the losses in the leads, the electrodes and the contacts. Up to several hundreds of MHz the current penetration depth is greater than the conductor thickness so that no skin-effect occurs. For ceramic capacitors  $R_s$  is extremely low.

$L$  is the inductance of the leads and the internal inductance of the capacitor; the latter, however, is almost negligible.

The inductance is only important in high frequency applications, since the capacitor will act as an inductance when the frequency is higher than its resonance frequency.

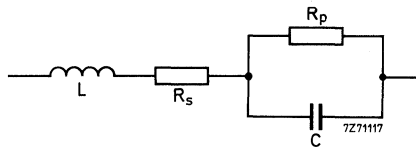


Fig. 3.

### 4. TANGENT OF THE LOSS ANGLE

The losses of a capacitor are expressed in terms of  $\tan \delta$  which is the relationship between the resistive and reactive parts of the impedance, specified as follows:

$$\tan \delta = \frac{|R|}{|X|} = \frac{R_p + R_s \{1 + (\omega CR_p)^2\}}{\omega CR_p^2 - \omega L \{1 + (\omega CR_p)^2\}}$$

From this formula,  $\tan \delta$  can be derived for different frequency ranges as shown diagrammatically in the graph of Fig. 4.



# CERAMIC CAPACITORS

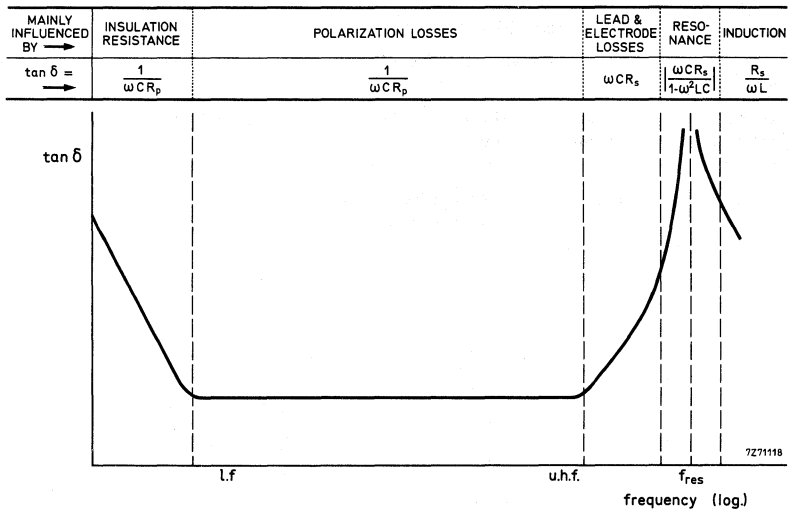


Fig. 4.

## → 5. RELIABILITY

The failure rates shown below have a confidence level of 60% and refer to observations of plate capacitors up to and including 1984.

number of component hours	failure rate		
	catastrophic	degradation	field result
17 290 000	6 FIT	42 FIT	< 0,2 FIT

### Notes

1 FIT = 1 failure rate within  $10^9$  component hours.

Catastrophic and degradation failure rates are given under normalized conditions, i.e. at  $\frac{1}{2}$  x rated voltage (d.c.) and  $T_{amb} = 40^\circ C$ .

Catastrophic failures include capacitance,  $\tan \delta$  and insulation resistance values, which do not meet the requirements after endurance test.

Degradation failures include capacitance,  $\tan \delta$  and insulation resistance values, which are between initial values as given in the data sheet, and the requirements after endurance test.

The determination of failure rates is based on the rated conditions as stated in MIL-HDBK-217D. All the test results should be interpreted as results under rated conditions even if the temperature and voltage exceed the rated values.

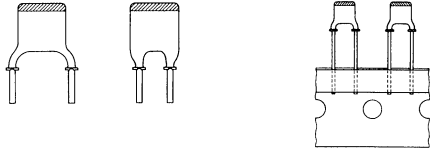
The field result value has been obtained from measurements in applications with very low environmental stress, at  $\frac{1}{2}$  x rated voltage (d.c.), continuous operation, and equipment temperature between 10 and  $55^\circ C$ .

## MINIATURE CERAMIC PLATE CAPACITORS



## MINIATURE CERAMIC PLATE CAPACITORS class 2

- General purpose
- Coupling and decoupling
- Space saving



### QUICK REFERENCE DATA

	<u>2222 629-series</u>	<u>2222 630-series</u>	<u>2222 640-series</u>
Capacitance range	1000-22000 pF	180-4700 pF	1000-10000 pF
	E3 series	E12 series	E6 series
Rated d.c. voltage	63 V	100 V	100 V
Tolerance on capacitance	-20/+ 80%	± 10%	-20/+ 50%
Sectional specification	IEC 384-9	IEC 384-9 (2C2)	IEC 384-9 (2E2)
Climatic category (IEC 68)	10/055/21	55/085/21	55/085/21

### APPLICATION

Electronic circuits where a non-linear change of capacitance with temperature is permissible and very low losses are not essential, e.g. coupling and decoupling.

Because of their small size and their availability with a pitch of 2,54 mm over the whole range, the capacitors are ideal for circuitry with a high component density.

### DESCRIPTION

The capacitors consist of a thin rectangular ceramic plate, both sides of which are metallized. The tinned connecting leads are secured with a high melting point solder. The leads are provided with a flange that guarantees leads without lacquer, making these capacitors perfectly suited for automatic insertion.

The capacitors are protected by several layers of tan lacquer that ensures a good behaviour under humid conditions and is resistant to all commonly used cleaning solvents. No silver migration can occur.

2222 629  
 2222 630  
 2222 640

**MECHANICAL DATA**

**Outlines**

Dimensions in mm

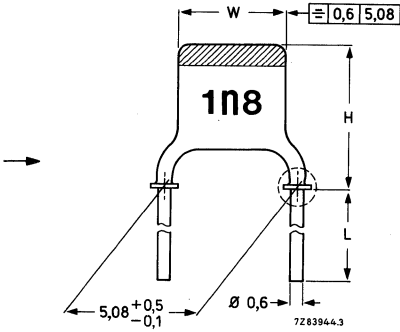


Fig. 1.

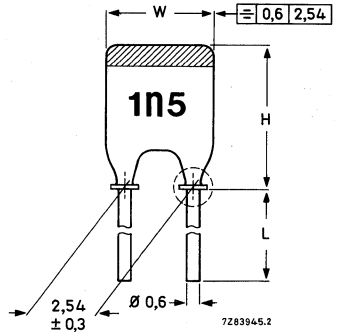
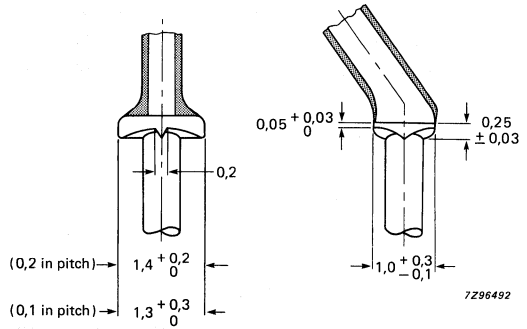


Fig. 2.

For dimensions H and W see Table 2.  
 The lead length (L) is shown in Table 1 for bulk packed capacitors; for taped capacitors it can be found in section "Packing" of "General Data on Miniature ceramic plate capacitors".



**DETAIL**

Table 1

pitch	lead diam	Fig.	catalogue number *			
			bulk packed		on tape on reel	on tape in ammpack
			L ≥ 13 mm	L = 4 ± 0,5 mm		
5,08 mm (0,2 in)	0,6 mm (0,024 in)	1	2222 629 09 ...	2222 629 19 ...	2222 629 53 ...	2222 629 63 ...
			2222 630 09 ...	2222 630 19 ...	2222 630 53 ...	2222 630 63 ...
			2222 640 09 ...	2222 640 19 ...	2222 640 53 ...	2222 640 63 ...
2,54 mm (0,1 in)	0,6 mm (0,024 in)	2	2222 629 08 ...	2222 629 18 ...	2222 629 51 ...	2222 629 61 ...
			2222 630 08 ...	2222 630 18 ...	2222 630 51 ...	2222 630 61 ...
			2222 640 08 ...	2222 640 18 ...	2222 640 51 ...	2222 640 61 ...

\* 3 dots to be replaced by code for capacitance value, see Tables 3, 4 and 5.

Table 2

size	W(mm)	H(mm)		approx. mass g
		Fig. 1	Fig. 2	
I	3,6(-1,1)	6,3(-1,8)	5,0(-1,5)	0,14
IIA	3,9(-1,2)	6,7(-1,8)	5,3(-1,5)	0,15
IIB	4,5(-1,2)	7,3(-1,8)	6,0(-1,5)	0,15
III	5,1(-0,9)	7,9(-1,7)	6,6(-1,4)	0,17
IV	6,2(-1,0)	9,0(-1,7)	7,7(-1,4)	0,20

Note: Tolerances are given between brackets.

The thickness of the capacitors does not exceed 2,3 mm (0,08 in), except for one type as is indicated in Table 4.

### Marking

The body of the capacitors is tan coloured. The capacitors also have a colour mark on top indicating the temperature dependence of the capacitance; green for type 2222 629, yellow for type 2222 630, and blue for type 2222 640. The capacitance value is indicated on the body by figures according to Tables 3, 4 and 5 in a contrasting colour.

### Mounting

When bending and cutting or flattening the leads, one should relieve them of the applied load at the capacitor body.

Soldering conditions                      max. 270 °C, max. 10 s

The capacitors are mounted on printed-wiring boards (hand mounting or automatic insertion). Due to the flange on the leads solder connections are free from lacquer. The flange is provided with a degassing groove.

### PACKING

See "General Data on Miniature ceramic plate capacitors", section "Packing".

2222 629  
 2222 630  
 2222 640

**ELECTRICAL DATA**

**Capacitors 2222 629 (colour mark green)**

The capacitors conform to IEC 384-9.

Unless otherwise specified all electrical values apply at a temperature of  $20 \pm 1 \text{ }^\circ\text{C}$ , an atmospheric pressure of 86 to 106 kPa and a relative humidity of 63 to 67%.

Capacitance values measured at 1 kHz, 1 V	1000–22 000 pF; E3 series (see Table 3)
Tolerance on the capacitance	–20 to + 80%
Rated d.c. voltage at 55 °C	63 V
Derated d.c. voltage at 85 °C	40 V
Test voltage (d.c.) for 1 min	200 V
Test voltage (d.c.) of coating for 1 min	200 V
Insulation resistance at 10 V (d.c.) after 1 min	$\geq 4000 \text{ M}\Omega$
→ Tan $\delta$ at 1 kHz, 1 V	$\leq 3,5\%$
Category temperature range	–10 to + 55 °C
Storage temperature range	–55 to + 85 °C
Climatic category, IEC 68	10/055/21

Table 3

cap. pF	size see Table 2	marking	code in catalogue number, see Table 1
1 000	I	1n0	102
2 200	I	2n2	222
4 700	I	4n7	472
10 000	II B	10n	103
22 000	IV	22n	223

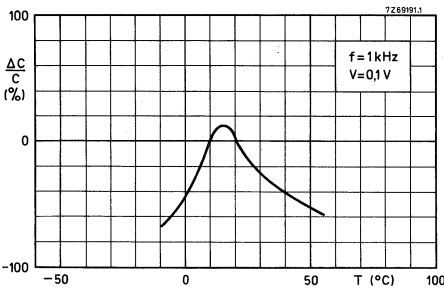


Fig. 3 Typical capacitance change as a function of temperature for capacitance values 2200 pF to 22 000 pF; dotted lines give an indication of the behaviour at higher and lower temperatures.

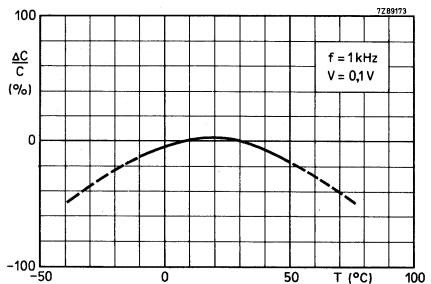


Fig. 4 Typical capacitance change as a function of temperature for capacitance value 1000 pF; dotted lines give an indication of the behaviour at higher and lower temperatures.

Fig. 5 Typical capacitance change with respect to the capacitance value at 0 V, as a function of d.c. voltage, for capacitance values 2200 to 22 000 pF.

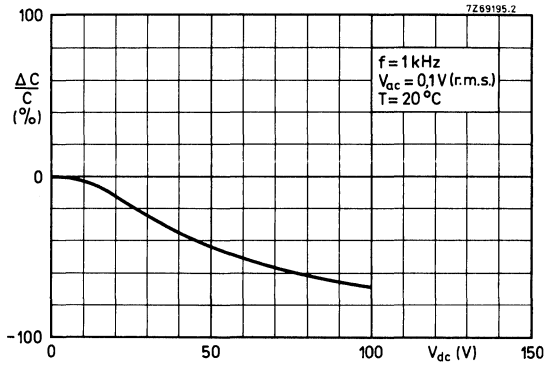


Fig. 6 Typical capacitance change with respect to the capacitance value at 0 V and 20 °C, as a function of temperature at different d.c. voltages, for capacitance values 2200 to 22 000 pF;  $V_{ac} = 0,1 \text{ V (r.m.s.)}$ .

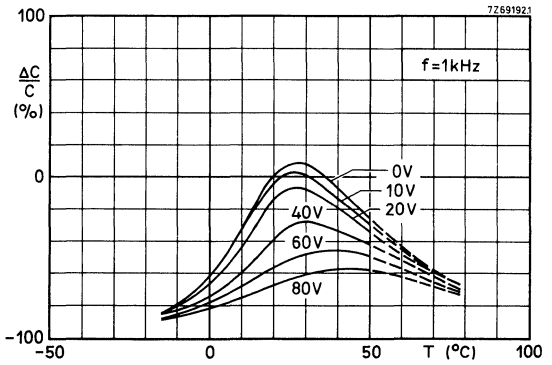
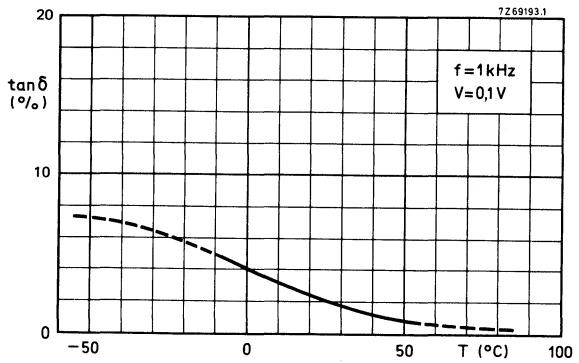


Fig. 7 Typical  $\tan \delta$  as a function of temperature, for capacitance values 2200 to 22 000 pF.





**ELECTRICAL DATA** (continued)

**Capacitors 2222 630** (colour mark yellow)

The capacitors conform to IEC 384-9 (2C2).

Unless otherwise specified all electrical values apply at a temperature of  $20 \pm 1 \text{ }^\circ\text{C}$ , an atmospheric pressure of 86 to 106 kPa and a relative humidity of 63 to 67%.

Capacitance values,

measured at 1 kHz, 1 V

180 – 4700 pF, E12 series (see Table 4)

Tolerance on the capacitance

$\pm 10\%$

Rated d.c. voltage

100 V

Test voltage (d.c.) for 1 min

300 V

Test voltage (d.c.) of coating for 1 min

300 V

Insulation resistance at 100 V (d.c.)

after 1 min

$\geq 4000 \text{ M}\Omega$

Tan  $\delta$  at 1 kHz, 1 V

$\leq 3,5\%$

Maximum voltage dependence of the capacitance between 0 and 40 V

-5%

Category temperature range

-55 to + 85  $^\circ\text{C}$

Storage temperature range

-55 to + 85  $^\circ\text{C}$

Climatic category (IEC 68)

55/085/21

Table 4

cap. pF	size see Table 2	marking	code in catalogue number see Table 1	cap. pF	size see Table 2	marking	code in catalogue number see Table 1
180*	I	n18	181	1000	IIA	1n0	102
220	I	n22	221	1200	IIA	1n2	122
270	I	n27	271	1500	IIB	1n5	152
330	I	n33	331	1800	IIB	1n8	182
390	I	n39	391	2200	III	2n2	222
470	I	n47	471	2700	III	2n7	272
560	I	n56	561	3300	IV	3n3	332
680	I	n68	681	3900	IV	3n9	392
820	I	n82	821	4700	IV	4n7	472

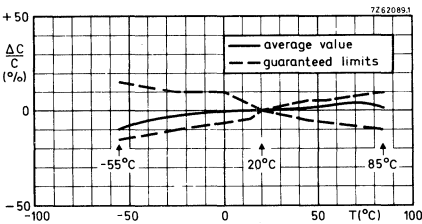


Fig. 8  $\Delta C$  with respect to C at 20  $^\circ\text{C}$  as a function of temperature. V = 0,1 V, f = 1 kHz.

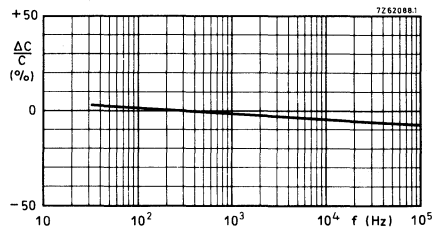


Fig. 9 Typ.  $\Delta C$  with respect to C at 300 Hz, as a function of frequency. V = 0,1 V.

\* Maximum thickness 2,5 mm.

Fig. 10 Typical capacitance change with respect to the capacitance value at 0 V, as a function of d.c. voltage.

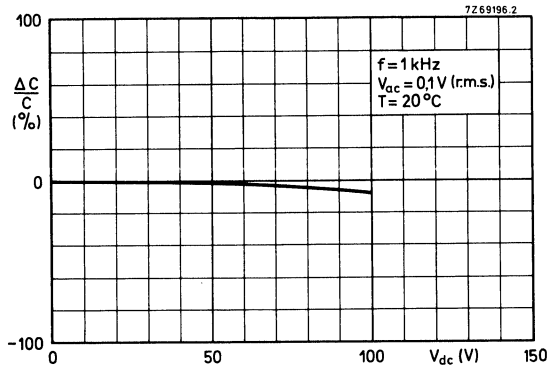


Fig. 11 Typical capacitance change with respect to the capacitance value at 0 V and 20 °C, as a function of temperature at different d.c. voltages.  
 $V_{ac} = 0,1 \text{ V (r.m.s.)}$ .

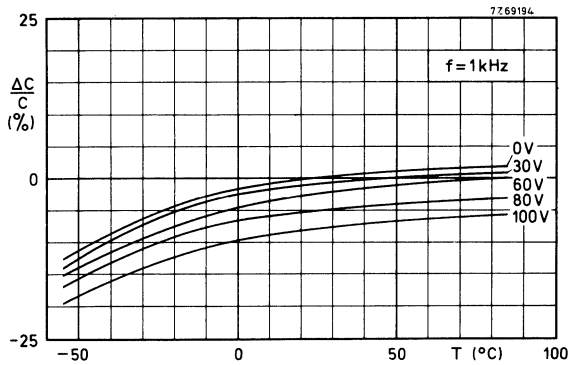
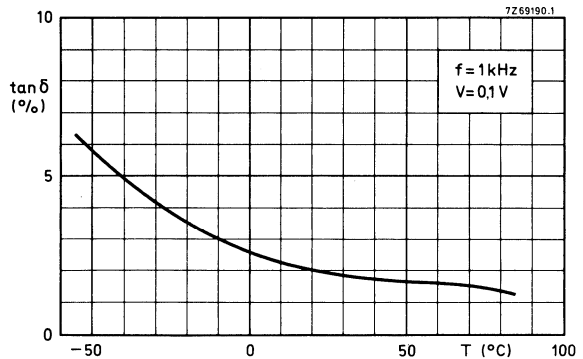


Fig. 12 Typical  $\tan \delta$  as a function of temperature.



2222 629  
 2222 630  
 2222 640

**ELECTRICAL DATA** (continued)

**Capacitors 2222 640** (colour mark blue)

The capacitors meet the essential requirements of IEC 384-9 (2E2).

Unless otherwise specified all electrical values apply at a temperature of  $20 \pm 1$  °C, an atmospheric pressure of 86 to 106 kPa and a relative humidity of 63 to 67%.

Capacitance values, measured at 1 kHz, 1 V	1000–10 000 pF; E6 series (see Table 5)
Tolerance on the capacitance	–20 to + 50%
Rated d.c. voltage	100 V
Test voltage (d.c.) for 1 min	300 V
Test voltage (d.c.) of coating for 1 min	300 V
Insulation resistance at 100 V (d.c.) → after 1 min	$\geq 4000$ M $\Omega$
Tan $\delta$ at 1 kHz, 1 V	$\leq 3,5\%$
Category temperature range	–55 to + 85 °C
Storage temperature range	–55 to + 85 °C
Climatic category (IEC 68)	55/085/21

Table 5

capacitance pF	size see Table 2	marking	code in catalogue number, see Table 1
1000	I	1n0	102
1500	I	1n5	152
2200	I	2n2	222
3300	IIA	3n3	332
4700	IIB	4n7	472
6800	III	6n8	682
10000	IV	10n	103

**Graphs**

measured at  
 $V_{ac} = 1 \text{ V (r.m.s.)}$ ,  
 $f = 1 \text{ kHz}$ .

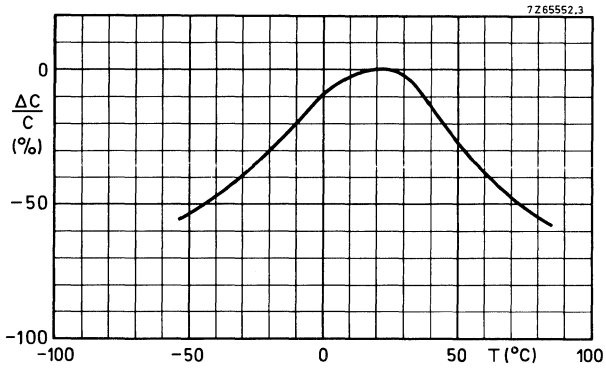


Fig. 13 Typical capacitance change versus temperature at 0 V (d.c.).

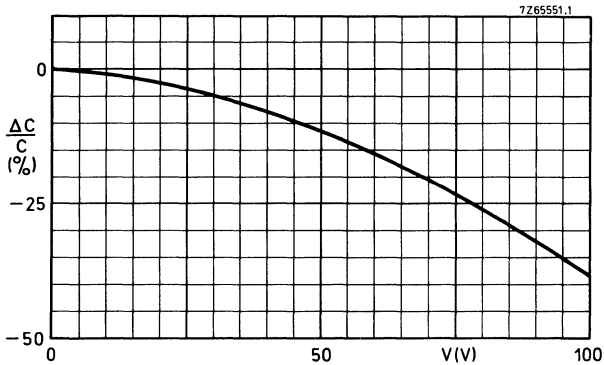


Fig. 14 Typical capacitance change with respect to the capacitance at 20 °C versus d.c. voltage.

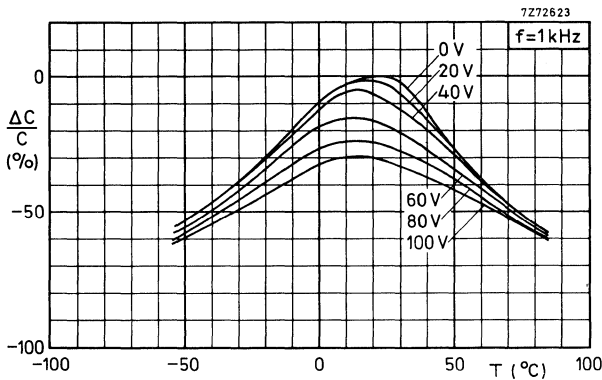


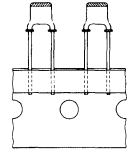
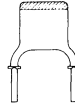
Fig. 15 Typical capacitance change with respect to the capacitance value at 0 V and 20 °C, as a function of temperature at different voltages.



## MINIATURE CERAMIC PLATE CAPACITORS

class 1, 500 V (d.c.)

- High-frequency circuits
- Temperature compensating
- High stability
- Space saving



### QUICK REFERENCE DATA

Capacitance range	0,47 to 270 pF (E12 series)
Rated d.c. voltage	500 V
Tolerance on capacitance	$\pm 2\%$ or $\pm 0,25$ pF
Temperature coefficients	P100, NPO, N150, N750, N1500
Sectional specification	IEC 384-8, sub-class 1B
Climatic category (IEC 68)	55/085/21

### APPLICATION

In a great variety of electronic circuits, e.g. in filters and tuning circuits where high stability and/or temperature compensation are needed. Because of their small size the capacitors are very suitable for circuitry with high component density.

### DESCRIPTION

The capacitors consist of a thin rectangular ceramic plate, both sides of which are metallized and provided with connecting leads. They are insulated by a coating that ensures a good behaviour under humid conditions. The colour of the capacitor body is grey. The capacitors distinguish themselves by small dimensions and narrow tolerances on the lead spacing. The leads are provided with a flange, that guarantees leads without lacquer, making them perfectly suited for automatic insertion. The electrical properties are characterized by low losses, a very close standard tolerance on the capacitance ( $\pm 0,25$  pF or 2%), high stability and, owing to the absence of silver, an extremely good d.c. behaviour.

2222 652  
 2222 653  
 2222 654

MECHANICAL DATA

Dimensions in mm

Outlines

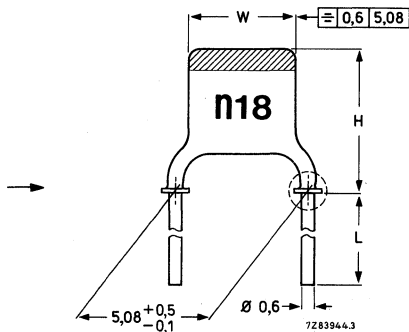
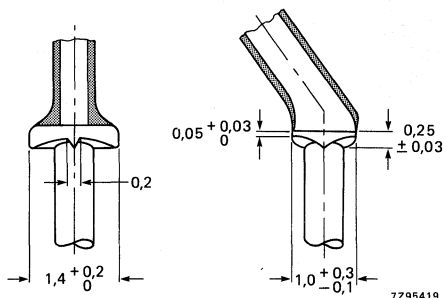


Fig. 1.



DETAIL

For dimensions H and W see Table 2.

The lead length (L) is shown in Table 1 for bulk packed capacitors; for taped capacitors it can be found in section "Packing" of "General Data on Miniature ceramic plate capacitors".

Table 1

pitch	lead diam	catalogue number *		
		bulk packed		on tape on reel
		L ≥ 13 mm	L = 4 ± 0,5 mm	
5,08 mm (0,2 in)	0,6 mm (0,024 in)	2222 652 . . . . .	2222 653 . . . . .	2222 654 . . . . .

Table 2

size	W	H	approx. mass g
I	3,6(-1,1)	6,3(-1,8)	0,15
IIA	3,9(-1,2)	6,7(-1,8)	0,15
IIB	4,5(-1,2)	7,3(-1,8)	0,16
III	5,1(-0,9)	7,9(-1,7)	0,17
IV	6,2(-1,0)	9,0(-1,7)	0,21
V	6,2(-1,0)	11,2(-2,1)	0,23

Note: Tolerances are given between brackets.

Except for the types indicated in Tables 3 to 7, the thickness of the capacitor does not exceed 2,3 mm.

\* For catalogue number suffix see Tables 3 to 7.

**Marking**

The temperature coefficient is indicated by a colour code as per IEC and EIA recommendations. The capacitance value and the voltage are indicated on the body by figures in a contrasting colour, see Tables 3 to 7.

**Mounting**

When bending, cutting or flattening the leads, they should be relieved of the applied load at the capacitor body,

Soldering conditions                      max. 270 °C, max. 10 s

The capacitors are mounted on printed-wiring boards (hand mounting or automatic insertion). Due to the flange on the leads solder connections are free from lacquer. The flange is provided with a degassing groove.

**PACKING**

See "General Data on Miniature ceramic plate capacitors", section "Packing".

**ELECTRICAL DATA**

The capacitors meet the essential requirements of IEC 384-8. Unless stated otherwise all electrical values apply at an ambient temperature of  $20 \pm 1$  °C, an atmospheric pressure of 86 to 106 kPa and a relative humidity of 63 to 67%.

Capacitance values* and tolerances, measured at 1 MHz, $\leq 5$ V	0,47 to 270 pF, E12 series, see Tables 3 to 7
Rated d.c. voltage	500 V
Test voltage (d.c.) for 1 minute	1250 V
Test voltage (d.c.) of coating for 1 minute	1250 V
Insulation resistance at 500 V (d.c.) after 1 min	$> 10\,000\ \text{M}\Omega$
Tan $\delta^*$ at 1 MHz, $\leq 5$ V for $C < 50$ pF	$\leq 15 \left( \frac{15}{C} + 0,7 \right) \cdot 10^{-4}$
for $C > 50$ pF	$\leq 15 \cdot 10^{-4}$
Category temperature range	-55 to +85 °C
Storage temperature range	-55 to +85 °C
Climatic category (IEC 68)	55/085/21

\* Including 2 mm per connecting lead.



2222 652  
2222 653  
2222 654

**Capacitors with temperature coefficient P100**

Capacitance range 0,47 to 33 pF (E12 series)

Temperature coefficient of the capacitance ( $\frac{\Delta C}{C \cdot \Delta T}$ )  $+ 100 \times 10^{-6}/K$

→ Tolerance on the temperature coefficient  
for  $C < 20$  pF  $(-40 \text{ to } + 120) \times 10^{-6}/K$   
for  $C \geq 20$  pF  $\pm 40 \times 10^{-6}/K$

Marking colour of the temperature coefficient red/violet

Table 3

capacitance pF	tolerance	size see Table 2	marking		suffix of catalogue number see Table 1
0,47*	$\pm 0,25$ pF	I	p47	500	03477
0,68	$\pm 0,25$ pF	I	p68	500	03687
1,0	$\pm 0,25$ pF	I	1p0	500	03108
1,2	$\pm 0,25$ pF	I	1p2	500	03128
1,5*	$\pm 0,25$ pF	I	1p5	500	03158
1,8	$\pm 0,25$ pF	I	1p8	500	03188
2,2	$\pm 0,25$ pF	I	2p2	500	03228
2,7	$\pm 0,25$ pF	I	2p7	500	03278
3,3	$\pm 0,25$ pF	I	3p3	500	03338
3,9	$\pm 0,25$ pF	I	3p9	500	03398
4,7	$\pm 0,25$ pF	IIA	4p7	500	03478
5,6	$\pm 0,25$ pF	IIA	5p6	500	03568
6,8	$\pm 0,25$ pF	IIB	6p8	500	03688
8,2	$\pm 0,25$ pF	IIB	8p2	500	03828
10	$\pm 2\%$	III	10p	500	04109
12	$\pm 2\%$	III	12p	500	04129
15	$\pm 2\%$	III	15p	500	04159
18	$\pm 2\%$	IV	18p	500	04189
22	$\pm 2\%$	IV	22p	500	04229
27	$\pm 2\%$	V	27p	500	04279
33	$\pm 2\%$	V	33p	500	04339

\* Maximum thickness 2,5 mm.

**Capacitors with a temperature coefficient NP0**

Capacitance range	0,82 to 47 pF (E12 series)
Temperature coefficient of the capacitance ( $\frac{\Delta C}{C \cdot \Delta T}$ )	$0 \times 10^{-6}/K$
Tolerance on the temperature coefficient for $C < 20$ pF for $C \geq 20$ pF	$(-40 + 120) \times 10^{-9}/K$ $\pm 30 \times 10^{-6}/K$
Marking colour for the temperature coefficient	black

Table 4

capacitance pF	tolerance	size see table 2	marking		suffix of catalogue number see Table 1
0,82*	$\pm 0,25$ pF	I	p82	500	09827
1 *	$\pm 0,25$ pF	I	1p0	500	09108
1,2	$\pm 0,25$ pF	I	1p2	500	09128
1,5	$\pm 0,25$ pF	I	1p5	500	09158
1,8	$\pm 0,25$ pF	I	1p8	500	09188
2,2	$\pm 0,25$ pF	I	2p2	500	09228
2,7	$\pm 0,25$ pF	I	2p7	500	09278
3,3	$\pm 0,25$ pF	I	3p3	500	09338
3,9	$\pm 0,25$ pF	I	3p9	500	09398
4,7	$\pm 0,25$ pF	I	4p7	500	09478
5,6	$\pm 0,25$ pF	I	5p6	500	09568
6,8	$\pm 0,25$ pF	IIA	6p8	500	09688
8,2	$\pm 0,25$ pF	IIA	8p2	500	09828
10	$\pm 2\%$	IIB	10p	500	10109
12	$\pm 2\%$	IIB	12p	500	10129
15	$\pm 2\%$	IIB	15p	500	10159
18	$\pm 2\%$	III	18p	500	10189
22	$\pm 2\%$	III	22p	500	10229
27	$\pm 2\%$	IV	27p	500	10279
33	$\pm 2\%$	IV	33p	500	10339
39	$\pm 2\%$	IV	39p	500	10399
47	$\pm 2\%$	V	47p	500	10479

\* Maximum thickness 2,5 mm.

2222 652  
 2222 653  
 2222 654

Capacitors with a temperature coefficient N150

Capacitance range 2,2 to 56 pF (E12 series)

Temperature coefficient of the capacitance  $(\frac{\Delta C}{C \cdot \Delta T})$   $-150 \times 10^{-6}/K$

→ Tolerance on the temperature coefficient  
 for  $C < 20$  pF  $(-40 + 60) \times 10^{-6}/K$   
 for  $C \geq 20$  pF  $\pm 30 \times 10^{-6}/K$

Marking colour of the temperature coefficient orange

Table 5

capacitance pF	tolerance	size see Table 2	marking		suffix of catalogue number see Table 1
2,2*	$\pm 0,25$ pF	I	2p2	500	33228
2,7*	$\pm 0,25$ pF	I	2p7	500	33278
3,3	$\pm 0,25$ pF	I	3p3	500	33338
3,9	$\pm 0,25$ pF	I	3p9	500	33398
4,7	$\pm 0,25$ pF	I	4p7	500	33478
5,6	$\pm 0,25$ pF	I	5p6	500	33568
6,8	$\pm 0,25$ pF	I	6p8	500	33688
8,2	$\pm 0,25$ pF	IIA	8p2	500	33828
10	$\pm 2\%$	IIA	10p	500	34109
12	$\pm 2\%$	IIB	12p	500	34129
15	$\pm 2\%$	IIB	15p	500	34159
18	$\pm 2\%$	IIB	18p	500	34189
22	$\pm 2\%$	III	22p	500	34229
27	$\pm 2\%$	III	27p	500	34279
33	$\pm 2\%$	IV	33p	500	34339
39	$\pm 2\%$	IV	39p	500	34399
47	$\pm 2\%$	IV	47p	500	34479
56	$\pm 2\%$	V	56p	500	34569

\* Maximum thickness 2,5 mm.

**Capacitors with a temperature coefficient N750**

Capacitance range	1,8 to 120 pF (E12 series)
Temperature coefficient of the capacitance ( $\frac{\Delta C}{C \cdot \Delta T}$ )	$-750 \times 10^{-6}/K$
Tolerance on the temperature coefficient for $C < 20$ pF for $C \geq 20$ pF	$(-120 + 250) \times 10^{-6}/K$ $\pm 120 \times 10^{-6}/K$
Marking colour of the temperature coefficient	violet

Table 6

capacitance pF	tolerance	size see Table 2	marking		suffix of catalogue number see Table 1
1,8*	$\pm 0,25$ pF	I	1p8	500	57188
2,2**	$\pm 0,25$ pF	I	2p2	500	57228
2,7	$\pm 0,25$ pF	I	2p7	500	57278
3,3	$\pm 0,25$ pF	I	3p3	500	57338
3,9	$\pm 0,25$ pF	I	3p9	500	57398
4,7**	$\pm 0,25$ pF	I	4p7	500	57478
5,6	$\pm 0,25$ pF	I	5p6	500	57568
6,8	$\pm 0,25$ pF	I	6p8	500	57688
8,2	$\pm 0,25$ pF	I	8p2	500	57828
10	$\pm 2\%$	I	10p	500	58109
12	$\pm 2\%$	I	12p	500	58129
15	$\pm 2\%$	I	15p	500	58159
18	$\pm 2\%$	IIA	18p	500	58189
22	$\pm 2\%$	IIA	22p	500	58229
27	$\pm 2\%$	IIB	27p	500	58279
33	$\pm 2\%$	IIB	33p	500	58339
39	$\pm 2\%$	IIB	39p	500	58399
47	$\pm 2\%$	III	47p	500	58479
56	$\pm 2\%$	III	56p	500	58569
68	$\pm 2\%$	IV	68p	500	58689
82	$\pm 2\%$	IV	82p	500	58829
100	$\pm 2\%$	IV	n10	500	58101
120	$\pm 2\%$	V	n12	500	58121

\* Maximum thickness 2,7 mm.

\*\* Maximum thickness 2,5 mm.

2222 652  
 2222 653  
 2222 654

**Capacitors with a temperature coefficient N1500**

Capacitance range 8,2 to 270 pF (E12 series)  
 Temperature coefficient of the capacitance  $(\frac{\Delta C}{C \cdot \Delta T})$   $-1500 \times 10^{-6}/K$   
 Tolerance on the temperature coefficient  $(-0 + 500) \times 10^{-6}/K$   
 Marking colour of the temperature coefficient orange/orange

Table 7

capacitance pF	tolerance	size see Table 2	marking		suffix of catalogue number see Table 1
8,2*	± 0,25 pF	I	8p2	500	69828
10 **	± 2%	I	10p	500	70109
12 **	± 2%	I	12p	500	70129
15	± 2%	I	15p	500	70159
18	± 2%	I	18p	500	70189
22	± 2%	I	22p	500	70229
27	± 2%	I	27p	500	70279
33	± 2%	IIA	33p	500	70339
39	± 2%	IIA	39p	500	70399
47	± 2%	IIA	47p	500	70479
56	± 2%	IIB	56p	500	70569
68	± 2%	IIB	68p	500	70689
82	± 2%	IIB	82p	500	70829
100	± 2%	III	n10	500	70101
120	± 2%	III	n12	500	70121
150	± 2%	IV	n15	500	70151
180	± 2%	IV	n18	500	70181
220	± 2%	IV	n22	500	70221
270	± 2%	V	n27	500	70271

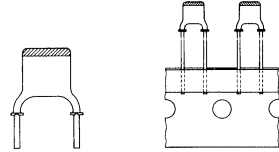
\* Maximum thickness 3,0 mm.

\*\* Maximum thickness 2,5 mm.

## MINIATURE CERAMIC PLATE CAPACITORS

class 2, 500 V (d.c.)

- General purpose
- Coupling and decoupling
- Space saving



### QUICK REFERENCE DATA

Capacitance range	100 - 2700 pF (E12 series)
Rated d.c. voltage	500 V
Tolerance on capacitance	± 10%
Sectional specification	IEC 384-9 (2C2)
Climatic category (IEC 68)	55/085/21

### APPLICATION

Electronic circuits where a non-linear change of capacitance with temperature is permissible and very low losses are not essential, e.g. coupling and decoupling. Because of their small size the capacitors are ideal for circuitry with a high component density.

### DESCRIPTION

The capacitors consist of a thin rectangular ceramic plate, both sides of which are metallized. The tinned connecting leads are secured with a high melting point solder. The leads are provided with a flange that guarantees leads without lacquer, making these capacitors perfectly suited for automatic insertion.

The capacitors are protected by several layers of tan lacquer that ensures a good behaviour under humid conditions and is resistant to all commonly used cleaning solvents. No silver migration can occur.

## MECHANICAL DATA

Dimensions in mm

## Outlines

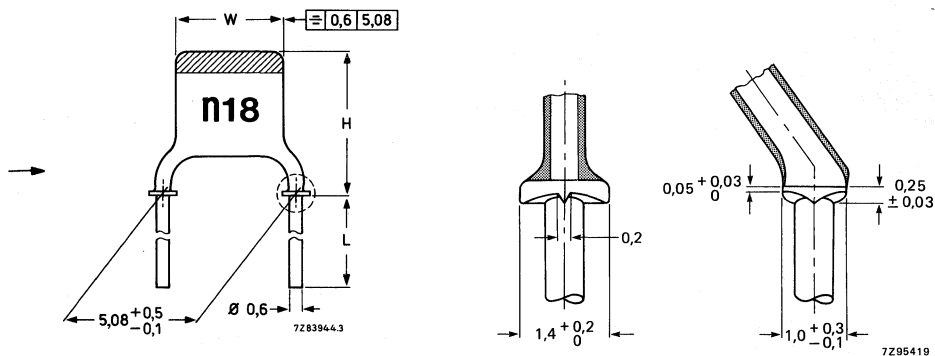


Fig. 1.

## DETAIL

For dimensions H and W see Table 2.

The lead length (L) is shown in Table 1 for bulk packed capacitors; for taped capacitors it can be found in section "Packing" of "General Data on Miniature ceramic plate capacitors".

Table 1

pitch	lead diam	catalogue number *			
		bulk packed		on tape on reel	on tape in ammpack
		L ≥ 13 mm	L = 4 ± 0,5 mm		
5,08 mm (0,2 in)	0,6 mm (0,024 in)	2222 655 09 ...	2222 655 19 ...	2222 655 53 ...	2222 655 63 ...

Table 2

size	W	H	approx. mass g
I	3,6(-1,1)	6,3(-1,8)	0,15
IIA	3,9(-1,2)	6,7(-1,8)	0,15
IIB	4,5(-1,2)	7,3(-1,8)	0,15
III	5,1(-0,9)	7,9(-1,7)	0,17
IV	6,2(-1,0)	9,0(-1,7)	0,21
V	6,2(-1,0)	11,2(-2,1)	0,23

Note: Tolerances are given between brackets.

Except for a few types as indicated in Table 3, the thickness of the capacitor does not exceed 2,3 mm.

\* 3 dots to be replaced by code for capacitance value, see Table 3.

**Marking**

The body of the capacitors is tan coloured.

The temperature dependence is indicated by a yellow colour cap. Capacitance value and voltage are indicated on the body by figures according to Table 3 in a contrasting colour.

**Mounting**

When bending, cutting or flattening the leads, one should relieve them of the applied load at the capacitor body.

Soldering conditions                      max. 270 °C, max. 10 s

The capacitors are mounted on printed-wiring boards (hand mounting or automatic insertion). Due to the flange on the leads solder connections are free from lacquer. The flange is provided with a de-gassing groove.

**PACKING**

See "General Data on Miniature ceramic plate capacitors", section "Packing".

**ELECTRICAL DATA**

The capacitors meet the essential requirements of IEC 384-9. Unless stated otherwise all electrical values apply at an ambient temperature of  $20 \pm 1$  °C, an atmospheric pressure of 86 to 106 kPa and a relative humidity of 63 to 67%.

Capacitance values, measured at 1 kHz, 1 V	100 to 2700 pF, E12 series, see Table 3
Tolerance on the capacitance	$\pm 10\%$
Rated d.c. voltage	500 V
Test voltage (d.c.) for 1 min	1250 V
Test voltage (d.c.) of coating for 1 min	1250 V
Insulation resistance at 500 V (d.c.) after 1 min	$> 4000 \text{ M}\Omega$
Tan $\delta$ at 1 kHz, 1 V	$< 3,5\%$
Category temperature range	$-55$ to $+85$ °C
Climatic category	55/085/21
Storage temperature range	$-55$ to $+85$ °C
Capacitance change versus temperature	see Fig. 2
Capacitance change versus frequency	see Fig. 3



Table 3

capacitance pF	size see Table 2	marking		code in catalogue number, see Table 1
100 *	I	n10	500	101
120 **	I	n12	500	121
150	I	n15	500	151
180	I	n18	500	181
220	I	n22	500	221
270	I	n27	500	271
330	I	n33	500	331
390	IIA	n39	500	391
470	IIA	n47	500	471
560	IIB	n56	500	561
680	IIB	n68	500	681
820	IIB	n82	500	821
1000	III	1n0	500	102
1200	III	1n2	500	122
1500	IV	1n5	500	152
1800	IV	1n8	500	182
2200	IV	2n2	500	222
2700	V	2n7	500	272

\* Maximum thickness 2,7 mm.

\*\* Maximum thickness 2,5 mm.

Fig. 2 Capacitance change with respect to the capacitance at 20 °C as a function of temperature.

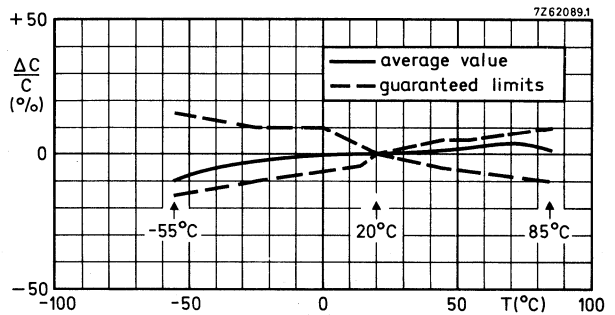
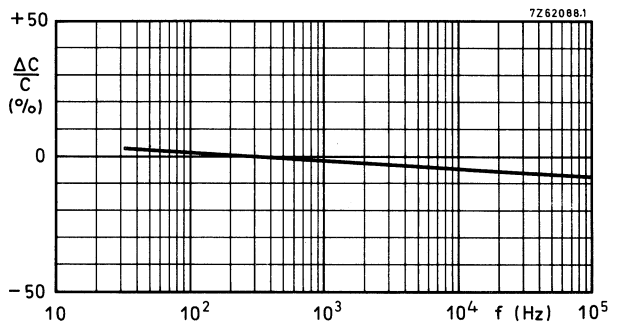


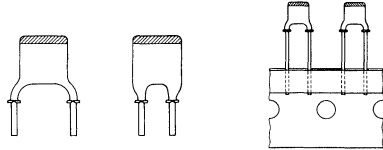
Fig. 3 Typical capacitance change with respect to the capacitance at 300 Hz as a function of frequency.



## MINIATURE CERAMIC PLATE CAPACITORS

### class 1

- High-frequency circuits
- Temperature compensating
- High stability
- Space saving



### QUICK REFERENCE DATA

Capacitance range	0,56 to 560 pF (E12 series)
Rated d.c. voltage	100 V
Tolerance on capacitance	± 2% or ± 0,25 pF
Temperature coefficients	P100, NP0, N075, N150, N220 N330, N470, N750, N1500
Sectional specification	IEC 384-8, sub-class 1B
Climatic category (IEC 68)	55/085/21

### APPLICATION

In a wide variety of electronic equipment, e.g. as temperature compensating capacitors in tuning circuits and filters, as coupling and decoupling capacitors in high-frequency circuits where low losses and good d.c. behaviour are required.

Because of their small size and their availability with a pitch of 2,54 mm over the whole range, the capacitors are ideal for circuitry with a high component density.

### DESCRIPTION

The capacitors consist of a thin rectangular ceramic plate, both sides of which are metallized and provided with connecting leads. They are insulated by a coating that ensures a good behaviour under humid conditions. The colour of the capacitor body is grey. The capacitors distinguish themselves by small dimensions and narrow tolerances on the lead spacing. They are available with different lead shapes. The leads are provided with a flange, that guarantees leads without lacquer, making them perfectly suited for automatic insertion.

The electrical properties are characterized by low losses, a very close standard tolerance on the capacitance (± 0,25 pF or 2%), high stability and, owing to the absence of silver, an extremely good d.c. behaviour.

(Capacitors with silver electrodes suffer from the "silver migration" effect. Silver particles move from one electrode to the other under the influence of a d.c. voltage and moisture. Capacitors with silver electrodes are considerably larger.)

MECHANICAL DATA

Dimensions in mm

Outlines

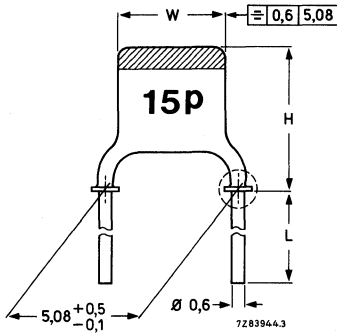


Fig. 1.

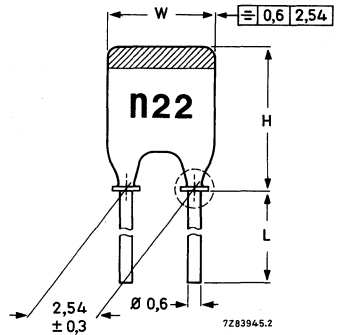
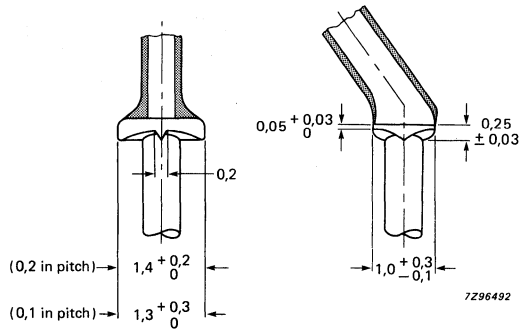


Fig. 2.

For dimensions H and W see Table 2.  
The lead length (L) is shown in Table 1 for bulk packed capacitors; for taped capacitors it can be found in section "Packing" of "General Data on Miniature ceramic plate capacitors".



DETAIL

Table 1

pitch	lead diam	Fig.	catalogue number *			
			bulk packed		on tape on reel	on tape in ammpack
			L ≥ 13 mm	L = 4 ± 0,5 mm		
5,08 mm (0,2 in)	0,6 mm (0,024 in)	1	2222 681 .....	2222 683 .....	2222 679 .....	2222 689 .....
2,54 mm (0,1 in)	0,6 mm (0,024 in)	2	2222 680 .....	2222 682 .....	2222 678 .....	2222 688 .....

\* For catalogue number suffix see Tables 3 to 11.

Table 2

size	W (mm)	H (mm)		approx. mass g
		Fig. 1	Fig. 2	
I	3,6(-1,1)	6,3(-1,8)	5,0(-1,5)	0,14
IIA	3,9(-1,2)	6,7(-1,8)	5,3(-1,5)	0,15
IIB	4,5(-1,2)	7,3(-1,8)	6,0(-1,5)	0,15
III	5,1(-0,9)	7,9(-1,7)	6,6(-1,4)	0,17
IV	6,2(-1,0)	9,0(-1,7)	7,7(-1,4)	0,20
V	6,2(-1,0)	11,2(-2,1)	9,9(-1,8)	0,20

Note: Tolerances are given between brackets.

The thickness of the capacitors does not exceed 2,3 mm (0,08 in), except for a few types as is indicated in Tables 3 to 11.

### Marking

The temperature coefficient is indicated by a colour code as per IEC and EIA recommendations. The capacitance value is indicated on the body by figures in a contrasting colour.

### Mounting

When bending, cutting or flattening the leads, they should be relieved of the applied load of the capacitor body,

Soldering conditions                      max. 270 °C, max. 10 s

The capacitors are mounted on printed-wiring boards (hand mounting or automatic insertion). Due to the flange on the leads solder connections are free from lacquer. The flange is provided with a degassing groove.

### PACKING

See "General Data on Miniature ceramic plate capacitors", section "Packing".

2222 678 to  
2222 683;  
2222 688; 689

#### ELECTRICAL DATA

The capacitors meet the essential requirements of IEC 384-8. Unless stated otherwise all electrical values apply at an ambient temperature of  $20 \pm 1$  °C, an atmospheric pressure of 86 to 106 kPa and a relative humidity of 63 to 67%.

Capacitance values\* and tolerances,  
measured at 1 MHz,  $\leq 5$  V

see Tables 3 to 11

Rated d.c. voltage

100 V

Test voltage (d.c.) for 1 min

300 V

Test voltage (d.c.) of coating for 1 min

300 V

Insulation resistance after 1 min  
at 100 V (d.c.)

$\geq 10\,000$  M $\Omega$

Tan  $\delta^*$  at 1 MHz,  $\leq 5$  V

for  $C \leq 50$  pF

$\leq 15 \left( \frac{15}{C} + 0,7 \right) \times 10^{-4}$ ; max.  $55 \times 10^{-4}$

for  $C > 50$  pF

$\leq 15 \times 10^{-4}$

Category temperature range

-55 to +85 °C

Storage temperature range

-55 to +85 °C

Climatic category, IEC 68

55/085/21

\* Including 2 mm per connecting lead.

Capacitors with a temperature coefficient P100, rated voltage 100 V (d.c.)

Capacitance range 0,56 to 47 pF (E12 series)

Temperature coefficient of the capacitance  $\left(\frac{\Delta C}{C \cdot \Delta T}\right)$  + 100 x 10<sup>-6</sup>/K

Tolerance on the temperature coefficient  
for C < 20 pF (-40 to + 120) x 10<sup>-6</sup>/K  
for C ≥ 20 pF ± 40 x 10<sup>-6</sup>/K ←

Marking colour of the temperature coefficient red/violet

Table 3

cap. pF	tolerance	size see Table 2	marking	suffix of catalogue number see Table 1
0,56*	± 0,25 pF	I	p56	03567
0,68**	± 0,25 pF	I	p68	03687
0,82***	± 0,25 pF	I	p82	03827
1,0***	± 0,25 pF	I	1p0	03108
1,2	± 0,25 pF	I	1p2	03128
1,5	± 0,25 pF	I	1p5	03158
1,8	± 0,25 pF	I	1p8	03188
2,2	± 0,25 pF	I	2p2	03228
2,7	± 0,25 pF	I	2p7	03278
3,3	± 0,25 pF	I	3p3	03338
3,9	± 0,25 pF	I	3p9	03398
4,7	± 0,25 pF	I	4p7	03478
5,6	± 0,25 pF	I	5p6	03568
6,8	± 0,25 pF	I	6p8	03688
8,2	± 0,25 pF	IIA	8p2	03828
10	± 2%	IIA	10p	04109
12	± 2%	IIB	12p	04129
15	± 2%	IIB	15p	04159
18	± 2%	III	18p	04189
22	± 2%	III	22p	04229
27	± 2%	IV	27p	04279
33	± 2%	IV	33p	04339
39	± 2%	V	39p	04399
47	± 2%	V	47p	04479

\* Maximum thickness 3,0 mm.  
\*\* Maximum thickness 2,7 mm.  
\*\*\* Maximum thickness 2,5 mm.

2222 678 to  
2222 683;  
2222 688; 689

Capacitors with a temperature coefficient NPO, rated voltage 100 V (d.c.)

Capacitance range 1,8 to 120 pF (E12 series)

Temperature coefficient of the capacitance  $(\frac{\Delta C}{C \cdot \Delta T})$   $0 \times 10^{-6}/K$

→ Tolerance on the temperature coefficient  
for  $C < 20$  pF  $(-40 \text{ to } +120) \times 10^{-6}/K$   
for  $C \geq 20$  pF  $\pm 30 \times 10^{-6}/K$

Marking colour of the temperature coefficient black

Table 4

cap. pF	tolerance	size see Table 2	marking	suffix of catalogue number see Table 1
1,8	$\pm 0,25$ pF	I	1p8	09188
2,2	$\pm 0,25$ pF	I	2p2	09228
2,7	$\pm 0,25$ pF	I	2p7	09278
3,3	$\pm 0,25$ pF	I	3p3	09338
3,9	$\pm 0,25$ pF	I	3p9	09398
4,7	$\pm 0,25$ pF	I	4p7	09478
5,6	$\pm 0,25$ pF	I	5p6	09568
6,8	$\pm 0,25$ pF	I	6p8	09688
8,2	$\pm 0,25$ pF	I	8p2	09828
10	$\pm 2\%$	I	10p	10109
12	$\pm 2\%$	I	12p	10129
15	$\pm 2\%$	I	15p	10159
18	$\pm 2\%$	I	18p	10189
22	$\pm 2\%$	I	22p	10229
27	$\pm 2\%$	I	27p	10279
33	$\pm 2\%$	I	33p	10339
39	$\pm 2\%$	IIA	39p	10399
47	$\pm 2\%$	IIA	47p	10479
→ 56	$\pm 2\%$	IIA	56p	10569
68	$\pm 2\%$	IIB	68p	10689
82	$\pm 2\%$	IIB	82p	10829
100	$\pm 2\%$	III	n10	10101
120	$\pm 2\%$	III	n12	10121

Capacitors with a temperature coefficient N075, rated voltage 100 V (d.c.)

Capacitance range 3,9 to 120 pF (E12 series)

Temperature coefficient of the capacitance  $(\frac{\Delta C}{C \cdot \Delta T})$   $-75 \times 10^{-6}/K$

Tolerance on the temperature coefficient  
for  $C < 20$  pF  $(-40 \text{ to } +60) \times 10^{-6}/K$   
for  $C \geq 20$  pF  $\pm 30 \times 10^{-6}/K$  ←

Marking colour of the temperature coefficient red

Table 5

cap. pF	tolerance	size see Table 2	marking	suffix of catalogue number see Table 1
3,9	± 0,25 pF	I	3p9	27398
4,7	± 0,25 pF	I	4p7	27478
5,6	± 0,25 pF	I	5p6	27568
6,8	± 0,25 pF	I	6p8	27688
8,2	± 0,25 pF	I	8p2	27828
10	± 2%	I	10p	28109
12	± 2%	I	12p	28129
15	± 2%	I	15p	28159
18	± 2%	I	18p	28189
22	± 2%	IIA	22p	28229
27	± 2%	IIA	27p	28279
33	± 2%	IIB	33p	28339
39	± 2%	IIB	39p	28399
47	± 2%	III	47p	28479
56	± 2%	III	56p	28569
68	± 2%	IV	68p	28689
82	± 2%	IV	82p	28829
100	± 2%	V	n10	28101
120	± 2%	V	n12	28121



2222 678 to  
2222 683;  
2222 688; 689

Capacitors with a temperature coefficient N150, rated voltage 100 V (d.c.)

Capacitance range 3,9 to 150 pF (E12 series)

Temperature coefficient of the capacitance  $(\frac{\Delta C}{C \cdot \Delta T})$   $-150 \times 10^{-6}/K$

→ Tolerance on the temperature coefficient  
for  $C < 20$  pF  $(-40 \text{ to } +60) \times 10^{-6}/K$   
for  $C \geq 20$  pF  $\pm 40 \times 10^{-6}/K$

Marking colour of the temperature coefficient orange

Table 6

cap. pF	tolerance	size see Table 2	marking	suffix of catalogue number see Table 1
3,9*	$\pm 0,25$ pF	I	3p9	33398
4,7	$\pm 0,25$ pF	I	4p7	33478
5,6	$\pm 0,25$ pF	I	5p6	33568
6,8	$\pm 0,25$ pF	I	6p8	33688
8,2	$\pm 0,25$ pF	I	8p2	33828
10	$\pm 2\%$	I	10p	34109
12	$\pm 2\%$	I	12p	34129
15	$\pm 2\%$	I	15p	34159
18	$\pm 2\%$	I	18p	34189
22	$\pm 2\%$	I	22p	34229
27	$\pm 2\%$	I	27p	34279
33	$\pm 2\%$	I	33p	34339
39	$\pm 2\%$	IIA	39p	34399
47	$\pm 2\%$	IIA	47p	34479
56	$\pm 2\%$	IIB	56p	34569
68	$\pm 2\%$	IIB	68p	34689
→ 82	$\pm 2\%$	IIB	82p	34829
→ 100	$\pm 2\%$	III	n10	34101
→ 120	$\pm 2\%$	III	n12	34121
150	$\pm 2\%$	IV	n15	34151

\* Maximum thickness 2,5 mm.

**Capacitors with a temperature coefficient N220, rated voltage 100 V (d.c.)**

Capacitance range 3,9 to 150 pF (E12 series)

Temperature coefficient of the capacitance ( $\frac{\Delta C}{C \cdot \Delta T}$ )  $-220 \times 10^{-6}/K$ 

Tolerance on the temperature coefficient

for  $C < 20$  pF  $(-40 \text{ to } +60) \times 10^{-6}/K$  ←for  $C \geq 20$  pF  $\pm 40 \times 10^{-6}/K$ 

Marking colour of the temperature coefficient yellow

Table 7

cap. pF	tolerance	size see Table 2	marking	suffix of catalogue number see Table 1
3,9*	$\pm 0,25$ pF	I	3p9	39398
4,7	$\pm 0,25$ pF	I	4p7	39478
5,6	$\pm 0,25$ pF	I	5p6	39568
6,8	$\pm 0,25$ pF	I	6p8	39688
8,2	$\pm 0,25$ pF	I	8p2	39828
10	$\pm 2\%$	I	10p	40109
12	$\pm 2\%$	I	12p	40129
15	$\pm 2\%$	I	15p	40159
18	$\pm 2\%$	I	18p	40189
22	$\pm 2\%$	I	22p	40229
27	$\pm 2\%$	IIA	27p	40279
33	$\pm 2\%$	IIA	33p	40339
39	$\pm 2\%$	IIB	39p	40399
47	$\pm 2\%$	IIB	47p	40479
56	$\pm 2\%$	III	56p	40569
68	$\pm 2\%$	III	68p	40689
82	$\pm 2\%$	IV	82p	40829
100	$\pm 2\%$	IV	n10	40101
120	$\pm 2\%$	V	n12	40121
150	$\pm 2\%$	V	n15	40151

\* Maximum thickness 2,5 mm.

2222 678 to  
2222 683;  
2222 688; 689

Capacitors with a temperature coefficient N330, rated voltage 100 V (d.c.)

Capacitance range 4,7 to 180 pF (E12 series)

Temperature coefficient of the capacitance ( $\frac{\Delta C}{C \cdot \Delta T}$ )  $-330 \times 10^{-6}/K$

Tolerance on the temperature coefficient  $\pm 60 \times 10^{-6}/K$

Marking colour of the temperature coefficient green

Table 8

cap. pF	tolerance	size see Table 2	marking	suffix of catalogue number see Table 1
4,7	$\pm 0,25$ pF	I	4p7	45478
5,6	$\pm 0,25$ pF	I	5p6	45568
6,8	$\pm 0,25$ pF	I	6p8	45688
8,2	$\pm 0,25$ pF	I	8p2	45828
10	$\pm 2\%$	I	10p	46109
12	$\pm 2\%$	I	12p	46129
15	$\pm 2\%$	I	15p	46159
18	$\pm 2\%$	I	18p	46189
22	$\pm 2\%$	I	22p	46229
27	$\pm 2\%$	I	27p	46279
33	$\pm 2\%$	IIA	33p	46339
39	$\pm 2\%$	IIA	39p	46399
47	$\pm 2\%$	IIB	47p	46479
56	$\pm 2\%$	IIB	56p	46569
68	$\pm 2\%$	III	68p	46689
82	$\pm 2\%$	III	82p	46829
100	$\pm 2\%$	IV	n10	46101
120	$\pm 2\%$	IV	n12	46121
150	$\pm 2\%$	V	n15	46151
180	$\pm 2\%$	V	n18	46181

Capacitors with a temperature coefficient N470, rated voltage 100 V (d.c.)

Capacitance range 6,8 to 220 pF (E12 series)

Temperature coefficient of the capacitance  $(\frac{\Delta C}{C \cdot \Delta T})$   $-470 \times 10^{-6}/K$

Tolerance on the temperature coefficient  
for  $C < 20$  pF  $(-90 \text{ to } +250) \times 10^{-6}/K$  ←  
for  $C \geq 20$  pF  $\pm 60 \times 10^{-6}/K$

Marking colour of the temperature coefficient blue

Table 9

cap. pF	tolerance	size see Table 2	marking	suffix of catalogue number see Table 1
6,8	$\pm 0,25$ pF	I	6p8	51688
8,2	$\pm 0,25$ pF	I	8p2	51828
10	$\pm 2\%$	I	10p	52109
12	$\pm 2\%$	I	12p	52129
15	$\pm 2\%$	I	15p	52159
18	$\pm 2\%$	I	18p	52189
22	$\pm 2\%$	I	22p	52229
27	$\pm 2\%$	I	27p	52279
33	$\pm 2\%$	I	33p	52339
39	$\pm 2\%$	IIA	39p	52399
47	$\pm 2\%$	IIA	47p	52479
56	$\pm 2\%$	IIB	56p	52569
68	$\pm 2\%$	IIB	68p	52689
82	$\pm 2\%$	III	82p	52829
100	$\pm 2\%$	III	n10	52101
120	$\pm 2\%$	IV	n12	52121
150	$\pm 2\%$	IV	n15	52151
180	$\pm 2\%$	V	n18	52181
220	$\pm 2\%$	V	n22	52221

2222 678 to  
2222 683;  
2222 688; 689

Capacitors with a temperature coefficient N750, rated voltage 100 V (d.c.)

Capacitance range 3,9 to 330 pF (E12 series)

Temperature coefficient of the capacitance  $(\frac{\Delta C}{C \cdot \Delta T})$   $-750 \times 10^{-6}/K$

→ Tolerance on the temperature coefficient  
for  $C < 20$  pF  $(-120 \text{ to } +250) \times 10^{-6}/K$   
for  $C \geq 20$  pF  $\pm 120 \times 10^{-6}/K$

Marking colour of the temperature coefficient violet

Table 10

cap. pF	tolerance	size see Table 2	marking	suffix of catalogue number see Table 1
3,9	$\pm 0,25$ pF	I	3p9	57398
4,7	$\pm 0,25$ pF	I	4p7	57478
5,6	$\pm 0,25$ pF	I	5p6	57568
6,8	$\pm 0,25$ pF	I	6p8	57688
8,2	$\pm 0,25$ pF	I	8p2	57828
10	$\pm 2\%$	I	10p	58109
12	$\pm 2\%$	I	12p	58129
15	$\pm 2\%$	I	15p	58159
18	$\pm 2\%$	I	18p	58189
22	$\pm 2\%$	I	22p	58229
27	$\pm 2\%$	I	27p	58279
33	$\pm 2\%$	I	33p	58339
39	$\pm 2\%$	I	39p	58399
47	$\pm 2\%$	I	47p	58479
56	$\pm 2\%$	IIA	56p	58569
68	$\pm 2\%$	IIA	68p	58689
82	$\pm 2\%$	IIB	82p	58829
100	$\pm 2\%$	IIB	n10	58101
120	$\pm 2\%$	III	n12	58121
150	$\pm 2\%$	III	n15	58151
180	$\pm 2\%$	IV	n18	58181
220	$\pm 2\%$	IV	n22	58221
270	$\pm 2\%$	V	n27	58271
330	$\pm 2\%$	V	n33	58331

## Capacitors with a temperature coefficient N1500, rated voltage 100 V (d.c.)

Capacitance range 18 to 560 pF (E12 series)

Temperature coefficient of the capacitance  $(\frac{\Delta C}{C \cdot \Delta T})$   $-1500 \times 10^{-6}/K$ Tolerance on the temperature coefficient  $(0 \text{ to } +500) \times 10^{-6}/K$ 

Marking colour of the temperature coefficient orange/orange

Table 11

cap. pF	tolerance	size see Table 2	marking	suffix of catalogue number see Table 1
18*	± 2%	I	18p	70189
22	± 2%	I	22p	70229
27	± 2%	I	27p	70279
33	± 2%	I	33p	70339
39	± 2%	I	39p	70399
47	± 2%	I	47p	70479
56	± 2%	I	56p	70569
68	± 2%	I	68p	70689
82	± 2%	I	82p	70829
100	± 2%	IIA	n10	70101
120	± 2%	IIA	n12	70121
150	± 2%	IIB	n15	70151
180	± 2%	IIB	n18	70181
220	± 2%	III	n22	70221
270	± 2%	III	n27	70271
330	± 2%	IV	n33	70331
390	± 2%	IV	n39	70391
470	± 2%	V	n47	70471
560	± 2%	V	n56	70561

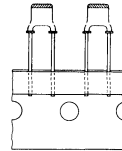
\* Maximum thickness 2,5 mm.



## MINIATURE CERAMIC PLATE CAPACITORS

class 1, 500 V (d.c.)

- High-frequency circuits
- Temperature compensating
- High stability
- Space saving



### QUICK REFERENCE DATA

Capacitance range	0,47 to 270 pF (E12 series)
Rated d.c. voltage	500 V
Tolerance on capacitance	± 2% or ± 0,25 pF
Temperature coefficients	P100, NPO, N150, N750, N1500
Sectional specification	IEC 384-8, sub-class 1B
Climatic category (IEC 68)	55/085/21

### APPLICATION

In a great variety of electronic circuits, e.g. in filters and tuning circuits where high stability and/or temperature compensation are needed. Because of their small size the capacitors are very suitable for circuitry with high component density.

### DESCRIPTION

The capacitors consist of a thin rectangular ceramic plate, both sides of which are metallized and provided with connecting leads. They are insulated by a coating that ensures a good behaviour under humid conditions. The colour of the capacitor body is grey. The capacitors distinguish themselves by small dimensions and narrow tolerances on the lead spacing. The leads are provided with a flange, that guarantees leads without lacquer, making them perfectly suited for automatic insertion.

The electrical properties are characterized by low losses, a very close standard tolerance on the capacitance (± 0,25 pF or 2%), high stability and, owing to the absence of silver, an extremely good d.c. behaviour.



**MECHANICAL DATA**

Dimensions in mm

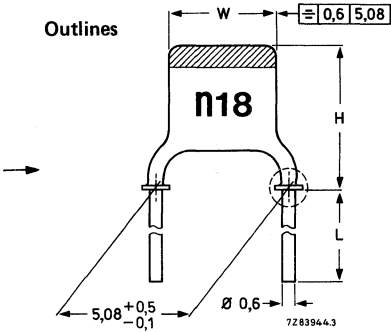
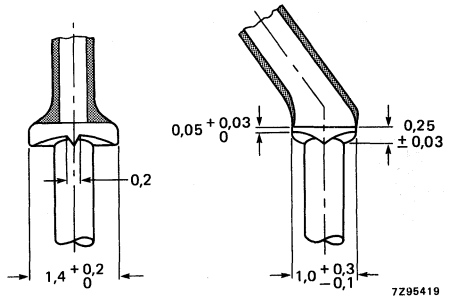


Fig. 1.



DETAIL

For dimensions H and W see Table 1.

The lead length (L) is shown in section "Packing" of "General Data on Miniature ceramic plate capacitors".

Table 1

	W	H	approx. mass g
I	3,6(-1,1)	6,3(-1,8)	0,15
IIA	3,9(-1,2)	6,7(-1,8)	0,15
IIB	4,5(-1,2)	7,3(-1,8)	0,16
III	5,1(-0,9)	7,9(-1,7)	0,17
IV	6,2(-1,0)	9,0(-1,7)	0,21
V	6,2(-1,0)	11,2(-2,1)	0,23

Except for the types indicated in Tables 2 to 6, the thickness of the capacitor does not exceed 2,3 mm.

**Marking**

The temperature coefficient is indicated by a colour code as per IEC and EIA recommendations. The capacitance value and the voltage are indicated on the body by figures in a contrasting colour, see Tables 2 to 6.

**Mounting**

When bending, cutting or flattening the leads, they should be relieved of the applied load at the capacitor body.

Soldering conditions max. 270 °C, max. 10 s

The capacitors are mounted on printed-wiring boards (hand mounting or automatic insertion). Due to the flange on the leads solder connections are free from lacquer. The flange is provided with a degassing groove.

**PACKING**

The capacitors are supplied on tape in ammunition packing; see "General Data on Miniature ceramic plate capacitors", section "Packing".

**ELECTRICAL DATA**

The capacitors meet the essential requirements of IEC 384-8. Unless stated otherwise all electrical values apply at an ambient temperature of  $20 \pm 1$  °C, an atmospheric pressure of 86 to 106 kPa and a relative humidity of 63 to 67%.

Capacitance values\* and tolerances,  
measured at 1 MHz,  $\leq 5$  V

0,47 to 270 pF, E12 series,  
see Tables 2 to 6

Rated d.c. voltage

500 V

Test voltage (d.c.) for 1 minute

1250 V

Test voltage (d.c.) of coating for 1 minute

1250 V

Insulation resistance at 500 V (d.c.)  
after 1 min

$> 10\,000$  M $\Omega$

Tan  $\delta^*$  at 1 MHz,  $\leq 5$  V  
for  $C < 50$  pF

$\leq 15 \left( \frac{15}{C} + 0,7 \right) \cdot 10^{-4}$

for  $C > 50$  pF

$\leq 15 \cdot 10^{-4}$

Category temperature range

-55 to +85 °C

Storage temperature range

-55 to +85 °C

Climatic category (IEC 68)

55/085/21

\* Including 2 mm per connecting lead.

**Capacitors with temperature coefficient P100**

Capacitance range

0,47 to 33 pF (E12 series)

Temperature coefficient of the

capacitance  $\left(\frac{\Delta C}{C \cdot \Delta T}\right)$ + 100 × 10<sup>-6</sup>/K

→ Tolerance on the temperature coefficient

for C &lt; 20 pF

(-40 to + 120) × 10<sup>-6</sup>/K

for C ≥ 20 pF

± 40 × 10<sup>-6</sup>/K

Marking colour of the temperature coefficient

red/violet

Table 2

capacitance pF	tolerance	size see Table 1	marking	catalogue number
0,47*	± 0,25 pF	I	p47 500	2222 691 03477
0,68	± 0,25 pF	I	p68 500	03687
1,0	± 0,25 pF	I	1p0 500	03108
1,2	± 0,25 pF	I	1p2 500	03128
1,5*	± 0,25 pF	I	1p5 500	03158
1,8	± 0,25 pF	I	1p8 500	03188
2,2	± 0,25 pF	I	2p2 500	03228
2,7	± 0,25 pF	I	2p7 500	03278
3,3	± 0,25 pF	I	3p3 500	03338
3,9	± 0,25 pF	I	3p9 500	03398
4,7	± 0,25 pF	IIA	4p7 500	03478
5,6	± 0,25 pF	IIA	5p6 500	03568
6,8	± 0,25 pF	IIB	6p8 500	03688
8,2	± 0,25 pF	IIB	8p2 500	03828
10	± 2%	III	10p 500	04109
12	± 2%	III	12p 500	04129
15	± 2%	III	15p 500	04159
18	± 2%	IV	18p 500	04189
22	± 2%	IV	22p 500	04229
27	± 2%	V	27p 500	04279
33	± 2%	V	33p 500	04339

\* Maximum thickness 2,5 mm.

**Capacitors with a temperature coefficient NPO**

Capacitance range 0,82 to 47 pF (E12 series)

Temperature coefficient of the

$$\text{capacitance } \left( \frac{\Delta C}{C \cdot \Delta T} \right)$$

0 x 10<sup>-6</sup>/K

Tolerance on the temperature coefficient

for C &lt; 20 pF

(-40 + 120) x 10<sup>-6</sup>/K

for C ≥ 20 pF

± 30 x 10<sup>-6</sup>/K

Marking colour for the temperature coefficient

black

Table 3

capacitance pF	tolerance	size see Table 1	marking		catalogue number
0,82*	± 0,25 pF	I	p82	500	2222 691 09827
1 *	± 0,25 pF	I	1p0	500	09108
1,2	± 0,25 pF	I	1p2	500	09128
1,5	± 0,25 pF	I	1p5	500	09158
1,8	± 0,25 pF	I	1p8	500	09188
2,2	± 0,25 pF	I	2p2	500	09228
2,7	± 0,25 pF	I	2p7	500	09278
3,3	± 0,25 pF	I	3p3	500	09338
3,9	± 0,25 pF	I	3p9	500	09398
4,7	± 0,25 pF	I	4p7	500	09478
5,6	± 0,25 pF	I	5p6	500	09568
6,8	± 0,25 pF	IIA	6p8	500	09688
8,2	± 0,25 pF	IIA	8p2	500	09828
10	± 2%	IIB	10p	500	10109
12	± 2%	IIB	12p	500	10129
15	± 2%	IIB	15p	500	10159
18	± 2%	III	18p	500	10189
22	± 2%	III	22p	500	10229
27	± 2%	IV	27p	500	10279
33	± 2%	IV	33p	500	10339
39	± 2%	IV	39p	500	10399
47	± 2%	V	47p	500	10479

\* Maximum thickness 2,5 mm.

**Capacitors with a temperature coefficient N150**

Capacitance range

2,2 to 56 pF (E12 series)

Temperature coefficient of the

$$\text{capacitance } \left( \frac{\Delta C}{C \cdot \Delta T} \right)$$

 $-150 \times 10^{-6}/K$ 

→ Tolerance on the temperature coefficient

for  $C < 20$  pF $(-40 + 60) \times 10^{-6}/K$ for  $C \geq 20$  pF $\pm 30 \times 10^{-6}/K$ 

Marking colour of the temperature coefficient

orange

Table 4

capacitance pF	tolerance	size see Table 1	marking	catalogue number
2,2*	$\pm 0,25$ pF	I	2p2 500	2222 691 33228
2,7*	$\pm 0,25$ pF	I	2p7 500	33278
3,3	$\pm 0,25$ pF	I	3p3 500	33338
3,9	$\pm 0,25$ pF	I	3p9 500	33398
4,7	$\pm 0,25$ pF	I	4p7 500	33478
5,6	$\pm 0,25$ pF	I	5p6 500	33568
6,8	$\pm 0,25$ pF	I	6p8 500	33688
8,2	$\pm 0,25$ pF	IIA	8p2 500	33828
10	$\pm 2\%$	IIA	10p 500	34109
12	$\pm 2\%$	IIB	12p 500	34129
15	$\pm 2\%$	IIB	15p 500	34159
18	$\pm 2\%$	IIB	18p 500	34189
22	$\pm 2\%$	III	22p 500	34229
27	$\pm 2\%$	III	27p 500	34279
33	$\pm 2\%$	IV	33p 500	34339
39	$\pm 2\%$	IV	39p 500	34399
47	$\pm 2\%$	IV	47p 500	34479
56	$\pm 2\%$	V	56p 500	34569

\* Maximum thickness 2,5 mm.

**Capacitors with a temperature coefficient N750**

Capacitance range 1,8 to 120 pF (E12 series)

Temperature coefficient of the

$$\text{capacitance } \left( \frac{\Delta C}{C \cdot \Delta T} \right)$$

-750 x 10<sup>-6</sup>/K

Tolerance on the temperature coefficient

for C &lt; 20 pF

(-120 + 250) x 10<sup>-6</sup>/K

for C ≥ 20 pF

± 120 x 10<sup>-6</sup>/K

Marking colour of the temperature coefficient

violet

Table 5

capacitance pF	tolerance	size see Table 1	marking		catalogue number
1,8*	± 0,25 pF	I	1p8	500	2222 691 57188
2,2**	± 0,25 pF	I	2p2	500	57228
2,7	± 0,25 pF	I	2p7	500	57278
3,3	± 0,25 pF	I	3p3	500	57338
3,9	± 0,25 pF	I	3p9	500	57398
4,7**	± 0,25 pF	I	4p7	500	57478
5,6	± 0,25 pF	I	5p6	500	57568
6,8	± 0,25 pF	I	6p8	500	57688
8,2	± 0,25 pF	I	8p2	500	57828
10	± 2%	I	10p	500	58109
12	± 2%	I	12p	500	58129
15	± 2%	I	15p	500	58159
18	± 2%	IIA	18p	500	58189
22	± 2%	IIA	22p	500	58229
27	± 2%	IIB	27p	500	58279
33	± 2%	IIB	33p	500	58339
39	± 2%	IIB	39p	500	58399
47	± 2%	III	47p	500	58479
56	± 2%	III	56p	500	58569
68	± 2%	IV	68p	500	58689
82	± 2%	IV	82p	500	58829
100	± 2%	IV	n10	500	58101
120	± 2%	V	n12	500	58121

\* Maximum thickness 2,7 mm.

\*\* Maximum thickness 2,5 mm.

**Capacitors with a temperature coefficient N1500**

Capacitance range

8,2 to 270 pF (E12 series)

Temperature coefficient of the

$$\text{capacitance } \left( \frac{\Delta C}{C \cdot \Delta T} \right)$$

 $-1500 \times 10^{-6}/K$ 

Tolerance on the temperature coefficient

 $(-0 + 500) \times 10^{-6}/K$ 

Marking colour of the temperature coefficient

orange/orange

Table 6

capacitance pF	tolerance	size see Table 1	marking		catalogue number
8,2*	$\pm 0,25$ pF	I	8p2	500	2222 691 69828
10 **	$\pm 2\%$	I	10p	500	70109
12 **	$\pm 2\%$	I	12p	500	70129
15	$\pm 2\%$	I	15p	500	70159
18	$\pm 2\%$	I	18p	500	70189
22	$\pm 2\%$	I	22p	500	70229
27	$\pm 2\%$	I	27p	500	70279
33	$\pm 2\%$	IIA	33p	500	70339
39	$\pm 2\%$	IIA	39p	500	70399
47	$\pm 2\%$	IIA	47p	500	70479
56	$\pm 2\%$	IIB	56p	500	70569
68	$\pm 2\%$	IIB	68p	500	70689
82	$\pm 2\%$	IIB	82p	500	70829
100	$\pm 2\%$	III	n10	500	70101
120	$\pm 2\%$	III	n12	500	70121
150	$\pm 2\%$	IV	n15	500	70151
180	$\pm 2\%$	IV	n18	500	70181
220	$\pm 2\%$	IV	n22	500	70221
270	$\pm 2\%$	V	n27	500	70271

\* Maximum thickness 3,0 mm.

\*\* Maximum thickness 2,5 mm.

GENERAL DATA ON  
MINIATURE CERAMIC PLATE CAPACITORS

**Packing**

**Tests and requirements**





## GENERAL DATA

### PACKING

The miniature ceramic plate capacitors are supplied in bulk packing (cardboard boxes) and in tape on reels or ammunition packing. The number of capacitors per box, per reel and per ammunition packing is given below.

size	number of capacitors		
	per box	per reel	per ammunition packing
I, IIA, IIB, III	1000	4000	4000
IV, V	500	4000	4000

# MINIATURE CERAMIC PLATE CAPACITORS

Capacitors on tape, lead pitch 5,08 mm (0,2 in)

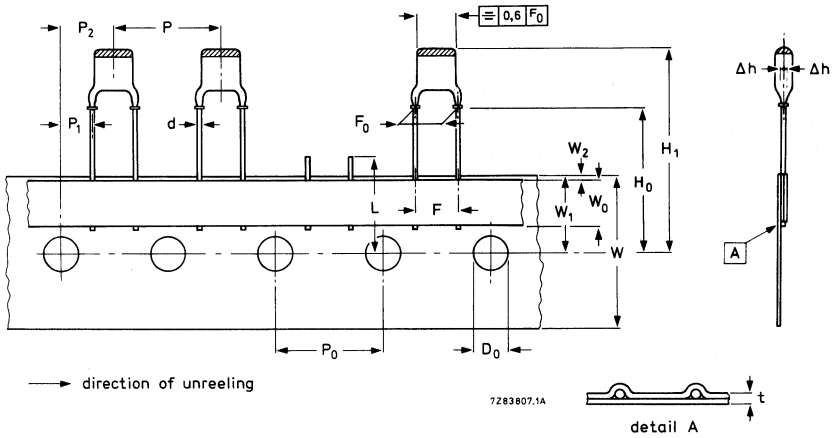


Fig. 1 Capacitors, lead pitch 5,08 mm, on tape; see Table 1 for dimensions.

Table 1

	symbol	dimensions	
		nominal	tolerance
Lead diameter	d	0,6	+0,06/-0,05
Pitch between capacitors	P	12,7	±1,0
Feed-hole pitch	P <sub>0</sub>	12,7	±0,2*
Feed-hole centre to lead centre	P <sub>1</sub>	3,85	±0,5
Feed hole centre to component centre	P <sub>2</sub>	6,35	±1,0
Lead-to-lead distance	F	5,0	+0,6/-0,2
	F <sub>0</sub>	5,08	+0,5/-0,1
Component alignment	Δh	0	±1,0
Tape width	W	18,0	-0,5
Hold-down tape width	W <sub>0</sub>	6,0	±0,5
Hole position	W <sub>1</sub>	9,0	±0,5
Hold-down tape position	W <sub>2</sub>	0	+2
→ Flange to tape centre	H <sub>0</sub>	18,25	±0,5
Component height	H <sub>1</sub>	22	max.
		11	min.
Length of snapped lead	L	11	max.
Feed-hole diameter	D <sub>0</sub>	4,0	±0,2
Total tape thickness	t	0,65	±0,2

\* Cumulative pitch error:  $\pm \leq 1$  mm/20 pitches.

Extraction force for component in the tape plane,  
vertically to direction of unreeling

min. 5 N

Break force of tape

min. 15 N

Pull-off force main tape – reel

max. 2,5 N

Maximum 0,5% of the total number of capacitors per reel may be missing. A maximum of 3 consecutive vacant positions is followed by at least 6 consecutive components. The tape begins and ends with 5 empty positions.

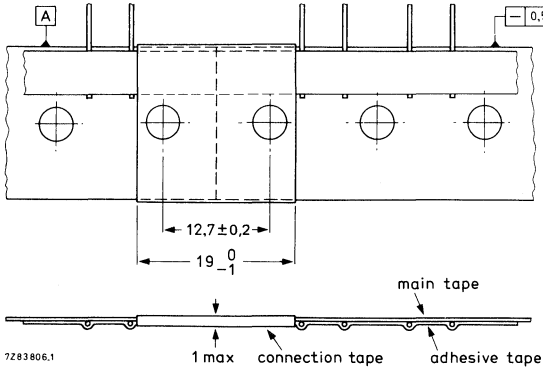


Fig. 2 Connection of tapes, lead pitch 5,08 mm.

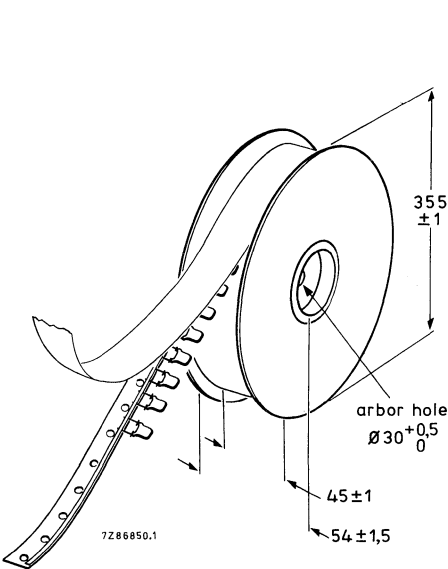


Fig. 3 Reel with capacitors on tape.

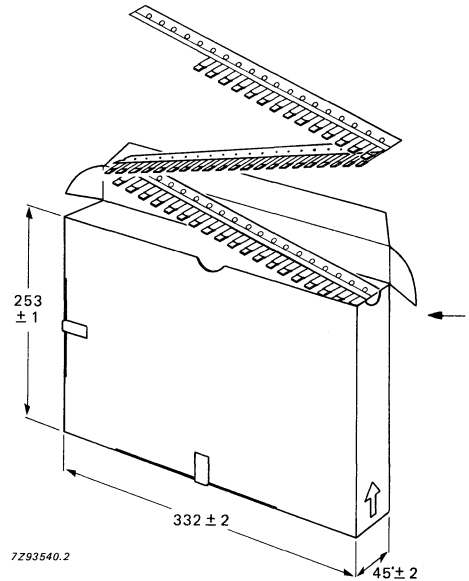


Fig. 4 Ammunition packing with capacitors on tape.

# MINIATURE CERAMIC PLATE CAPACITORS

Capacitors on tape, lead pitch 2,54 mm (0,1 in)

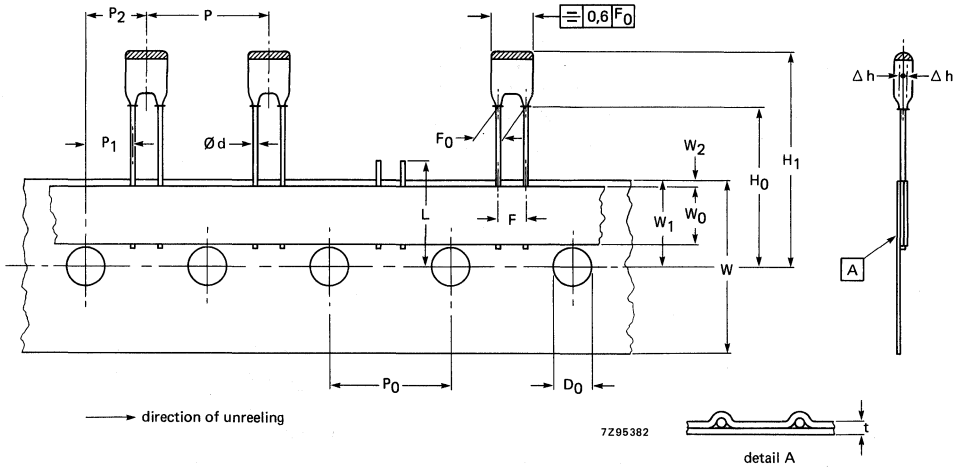


Fig. 5 Capacitors, lead pitch 2,54 mm, on tape; see Table 2 for dimensions.

Table 2

	symbol	dimensions	
		nominal	tolerance
Lead diameter	d	0,6	+ 0,06/-0,05
Pitch between capacitors	P	12,7	± 1,0
Feed-hole pitch	P <sub>0</sub>	12,7	± 0,2*
→ Feed-hole centre to lead centre	P <sub>1</sub>	5,1	± 0,5
Feed-hole centre to component centre	P <sub>2</sub>	6,35	± 1,0
Lead-to-lead distance	F	2,54	± 0,3
	F <sub>0</sub>	2,54	± 0,3
Component alignment	Δh	0	± 1,0
Tape width	W	18,0	-0,5
Hold-down tape width	W <sub>0</sub>	6,0	± 0,5
Hole position	W <sub>1</sub>	9,0	± 0,5
Hold-down tape position	W <sub>2</sub>	0	+ 2
→ Flange to tape centre	H <sub>0</sub>	18,25	± 0,5
Component height	H <sub>1</sub>	30	max.
		21	min.
Length of snapped lead	L	11	max.
Feed-hole diameter	D <sub>0</sub>	4,0	± 0,2
Total tape thickness	t	0,65	± 0,2

\* Cumulative pitch error:  $\pm \leq 1$  mm/20 pitches.

Extraction force for component in the tape plane,  
vertically to direction of unreeling

min. 5 N

Break force of tape

min. 15 N

Pull-off force main tape – reel

max. 2,5 N

Maximum 0,5% of the total number of capacitors per reel may be missing. A maximum of 3 consecutive vacant positions is followed by at least 6 consecutive components. The tape begins and ends with 5 empty positions.

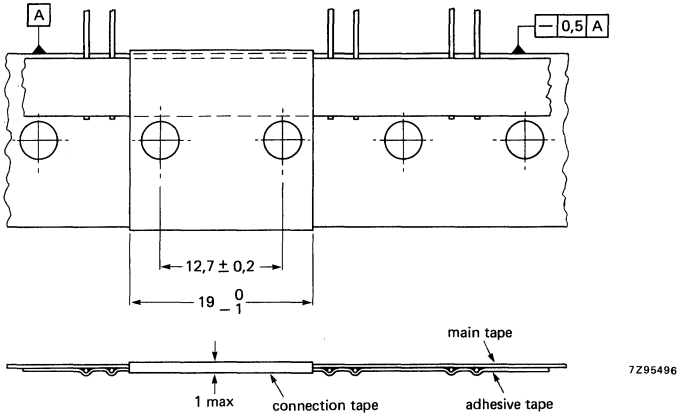


Fig. 6 Connection of tapes, lead pitch 2,54 mm.

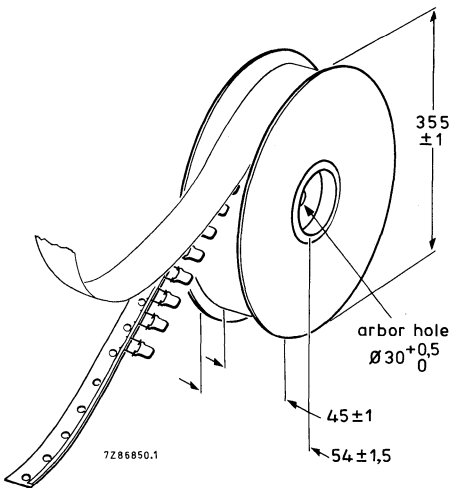


Fig. 7 Reel with capacitors on tape.

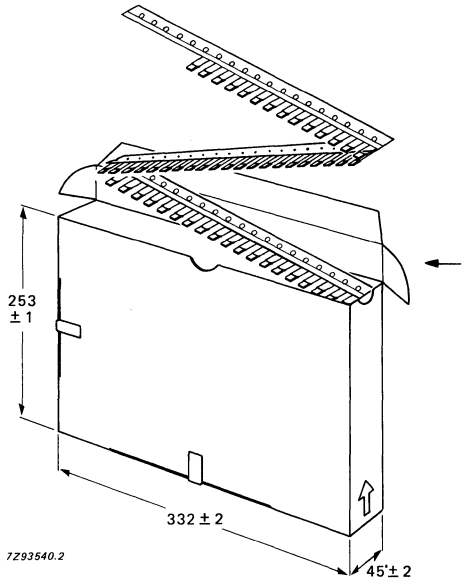


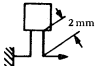
Fig. 8 Ammunition packing with capacitors on tape.

## TESTS AND REQUIREMENTS

### Class 1 capacitors

After manufacture, *each* capacitor is checked on capacitance,  $\tan \delta$  and test voltage. Apart from this the following quality checks are carried out by frequent inspections.

Essentially all tests mentioned in the schedule of IEC publication 384-8, category 55/085/21 (temperature range  $-55/+85$  °C; damp heat, long term, 21 days) are carried out along the lines of IEC publication 68.

IEC 384-8 clause	IEC 68-2 test method	name of test	procedure	requirements
—	—	Robustness of terminations Pull-off	pull velocity 15 cm/min, load 5 N axial force 10 N 	no wire breakage or complete damage of capacitor
10.1	Ua	Tensile strength		
10.1	Ub	Bending	load 5 N, $4 \times 90^\circ$	no wire breakage
10.2.1	Ta method 1	Soldering	solderability: 2 s 235 °C	good tinning
10.2.2	Tb method 1A	Resistance to soldering heat	270 °C, 10 s	no visible damage $\Delta C/C \pm \leq 0,5\%$ or 0,5 pF after 1 h to 2 h
10.3	Na	Rapid change of temperature	30 min $-55$ °C/30 min $+85$ °C, 5 cycles	no damage, after 24 h $\Delta C/C \pm \leq 0,5\%$ or 0,5 pF
10.4	Fc	Vibration	10-55-10 Hz 0,75 mm displacement 3 directions, 6 h	no visible damage
10.5	Eb	Bump	4000 bumps in 2 directions, 40g; pulse time 6 ms	no visible damage
—	—	Inflammability	15 s, 35 mm above bunsen burner with flame-height 40-60 mm	self-extinguishing within 15 s after removal of bunsen burner
9.5	—	Temperature coefficient	between $+20$ and $-55$ °C, and between $+20$ and $+85$ °C	within tolerance as specified for each particular material

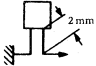
IEC 384-8 clause	IEC 68-2 test method	name of test	procedure	requirements
10.6.2	B	Climatic sequence Dry heat	16 h + 85 °C	no visible damage
10.6.3	Db	Damp heat (accel.) 1st cycle	12 h + 55 °C, 90 to 96% R.H. 12 h + 25 °C, 95 to 100% R.H.	after recovery of 1-2 h immediately followed by cold test
10.6.4	A	Cold	2 h -55 °C	no visible damage
10.6.5	M	Low air pressure	1 h 8,5 kPa, last 2 min rated voltage	no breakdown or flashover
10.6.6	Db	Damp heat (accel.) remaining cycle	12 h + 55 °C, 90 to 96% R.H. 12 h + 25 °C, 95 to 100% R.H.	$\Delta C/C \pm \leq 1\%$ or 1 pF $\tan \delta \leq 2 \times$ specified $\tan \delta$ $R_{ins}$ after 1-2 h: > 5000 M $\Omega$ for 2222 650 to 654, 691, > 100 M $\Omega$ for other types
10.7	Ca	Damp heat, steady state (half number of the lot at rated voltage, other half at zero voltage)	21 days + 40 °C 90 to 95% R.H.	$\Delta C/C \pm \leq 1\%$ or 1 pF $\tan \delta \leq 2 \times$ specified $\tan \delta$ $R_{ins}$ after 1-2 h: > 5000 M $\Omega$ for 2222 650 to 654, 691, > 100 M $\Omega$ for other types
10.8	-	Endurance	1000 h at + 85 °C; 2222 650 to 654, 691: 750 V (d.c.), other types: 150 V (d.c.)	$\Delta C/C \pm \leq 1\%$ or 1 pF $\tan \delta \leq 1,5 \times$ specified $\tan \delta$ $R_{ins}$ : > 3000 M $\Omega$ for 2222 650 to 654, 691, > 300 M $\Omega$ for other types
-	-	Resistance to solvents	3 min ultrasonic washing in trichloroethylene 1 min drying, 30 °C 10 brush strokes	marking and colour code must remain legible and not be discoloured; no mechanical or electrical damage or deterioration of the material
-	H	Storage	72 h -65 °C, recovery 1-2 h	electrical parameters within specification



### Class 2 capacitors

After manufacturing *each* capacitor is checked on capacitance,  $\tan \delta$  and test voltage. Apart from this the following quality checks are carried out by frequent inspections.

Essentially all tests mentioned in the schedule of IEC publication 384-9, category 55/085/21 (temperature range  $-55/85$  °C; damp heat; long term, 21 days) are carried out along the lines of IEC publication 68.

IEC 384-9 clause	IEC 68-2 test method	name of test	procedure	requirements
		Robustness of terminations Pull-off	pull velocity 15 cm/min, load 5 N axial force 10 N 	no wire breakage or complete damage of capacitor
10.1	Ua	Tensile strength		
10.1	Ub	Bending (half number of samples)	load 5 N, 4 x 90°	no wire breakage
10.2.1	Ta method 1	Soldering (solder bath)	solderability: 2 s at 235 °C	good tinning
		Pre-conditioning	2222 629 : 1 h + 55 °C 2222 630/640/655: 1 h + 85 °C reference measurements after 24 h	
10.2.2	Tb method 1A	Resistance to soldering heat	270 °C, 10 s	no visible damage, $\Delta C/C$ after 24 h, 2222 630: $\pm \leq 10\%$ 2222 629, 2222 640: $\pm \leq 20\%$ 2222 655: between $-10$ and $+20\%$
		Pre-conditioning		
10.3	Na		5 cycles, 2222 630, 2222 640, 2222 655: $\frac{1}{2}$ h $-55$ °C/ $\frac{1}{2}$ h + 85 °C 2222 629: $\frac{1}{2}$ h $-10$ °C/ $\frac{1}{2}$ h + 55 °C	no damage, $\Delta C/C$ after 24 h, 2222 630, 2222 655: $\pm \leq 10\%$ 2222 629, 2222 640: $\pm \leq 20\%$

IEC 384-9 clause	IEC 68-2 test method	name of test	procedure	requirements
10.4	Fb	Vibration	10-55-10 Hz 0,75 mm displacement 3 directions, 6 h	no visible damage
10.5	Eb	Bump	4000 bumps in 2 directions, 40g; pulse time 6 ms	no visible damage
—	—	Inflammability	15 s, 35 mm above bunsen burner with flame-height 40-60 mm	self-extinguishing within 15 s after removal of bunsen burner
—	—	Resistance to solvents	3 min ultrasonic washing in trichloroethylene 1 min drying, 30 °C 10 brush strokes	marking and colour coding must remain legible and not discoloured; no mechanical or electrical damage or deterioration of the material
10.6.1	—	Climatic sequence Pre-conditioning	2222 630/640/655: 1 h + 85 °C 2222 629: 1 h + 55 °C reference measurements after 24 h	
10.6.2	B	Dry heat	16 h + 85 °C and + 55 °C respectively	no visible damage
10.6.3	Db	Damp heat (accel.) 1st cycle	12 h + 55 °C, 90 to 96% R.H. 12 h + 25 °C, 95 to 100% R.H.	no visible damage, after recovery of 1 - 2 h immediately followed by cold test
10.6.4	A	Cold	2222 630/640/655: 2 h -55 °C 2222 629: 2 h -10 °C	no visible damage
10.6.5	M	Low air pressure	1 h at 8,5 kPa last 2 min rated voltage applied	no breakdown or flashover
10.6.6	Db	Damp heat (accel.) remaining cycle	12 h + 55 °C, 90 to 96% R.H. 12 h + 25 °C, 95 to 100% R.H.	after 24 h recovery: $\Delta C/C$ , 2222 630, 2222 655: $\pm \leq 10\%$ 2222 629, 2222 640: $\pm \leq 20\%$ $\tan \delta \leq 7\%$ $R_{ins}$ , 2222 629/630/640: $> 100 M\Omega$ 2222 655: $> 1000 M\Omega$

IEC 384-9 clause	IEC 68-2 test method	name of test	procedure	requirements
10.7	Ca	Pre-conditioning Damp heat (steady state) half number of samples rated voltage, half number of samples no voltage applied	21 days + 40 °C, 90 to 95% R.H.	no visible damage; after 24 h: $\Delta C/C$ , 2222 630, 2222 655: $\pm \leq 10\%$ 2222 629, 2222 640: $\pm \leq 20\%$ $\tan \delta \leq 7\%$ $R_{ins}$ , 2222 629/630/640: $> 100 M\Omega$ 2222 655: $> 1000 M\Omega$
10.9.3	—	Pre-conditioning Endurance	1000 h (IEC) 2222 630, 2222 640: +85 °C, 150 V (d.c.) 2222 629: +55 °C, 100 V (d.c.), 2222 655: +85 °C, 750 V (d.c.)	after 24 h at $20 \pm 1^\circ C$ $\Delta C/C$ , 2222 630, 2222 655: $\pm \leq 10\%$ 2222 629, 2222 640: $\pm \leq 20\%$ $\tan \delta \leq 5\%$ (2222 629 $\leq 6,5\%$ ) $R_{ins}$ , 2222 629/630/640: $> 300 M\Omega$ 2222 655: $> 1000 M\Omega$
—	H	Pre-conditioning Storage	72 h -65 °C, recovery 1 - 2 h	electr. parameters within specification

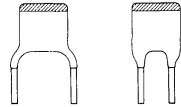
**MINIATURE CERAMIC PLATE CAPACITORS  
MAINTENANCE TYPES**



## MINIATURE CERAMIC PLATE CAPACITORS

class 2

- General purpose
- Coupling and decoupling
- Space saving



## QUICK REFERENCE DATA

	<u>2222 629-series</u>	<u>2222 630-series</u>	<u>2222 640-series</u>
Capacitance range	1000-22000 pF	180-4700 pF	1000-10000 pF
Rated d.c. voltage	E3 series 63 V	E12 series 100 V	E6 series 100 V
Tolerance on capacitance	-20/+ 80%	± 10%	-20/+ 50%
Sectional specification	IEC 384-9	IEC 384-9 (2C2)	IEC 384-9 (2E2)
Climatic category (IEC 68)	10/055/21	55/085/21	55/085/21

## APPLICATION

In a great variety of electronic circuits where a non-linear change of capacitance with temperature is permissible and very low losses are not of major importance, e.g. coupling and decoupling purposes. Because of their small dimensions and close tolerance on lead-spacing the capacitors are very suitable for circuitry with a high component density.

## DESCRIPTION

The capacitors consists of a thin rectangular ceramic plate, both sides being metallized and provided with solder-coated connecting leads that are fixed with solder having a high melting point.

The capacitors are protected by several layers of lacquer that ensures a good behaviour under humid conditions and is resistant against commonly used cleaning solvents. They are tan coloured. No silver migration can occur.

2222 629  
 2222 630  
 2222 640

MECHANICAL DATA

Dimensions in mm

Outlines

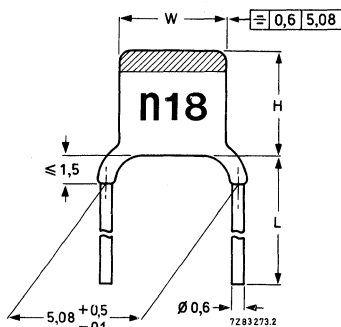


Fig. 1.

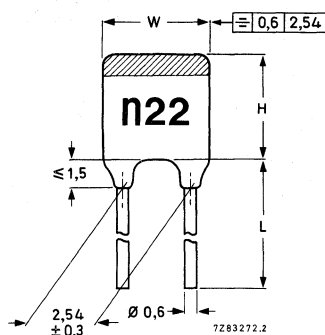


Fig. 2.

For dimensions H, L and W see Tables 1 and 2.

Table 1

pitch	lead diameter	Fig.	catalogue number *	
			L ≥ 15 mm	L = 6 <sup>+0</sup> / <sub>-2</sub>
5,08 mm (0,2 in)	0,6 mm (0,024 in)	1	2222 629 03 ... 2222 630 03 ... 2222 640 03 ...	2222 629 06 ... 2222 630 06 ... 2222 640 06 ...
2,54 mm (0,1 in)	0,6 mm (0,024 in)	2	2222 629 01 ... 2222 630 01 ... 2222 640 01 ...	2222 629 05 ... 2222 630 05 ... 2222 640 05 ...

\* 3 dots to be replaced by code for capacitance value, see Tables 3, 4 and 5.

Table 2

size	W mm	H mm	approx. mass g
I	3,6(-1,1)	3,7(-1,2)	0,14
IIA	3,9(-1,2)	4,0(-1,3)	0,15
IIB	4,5(-1,2)	4,7(-1,4)	0,16
III	5,1(-0,9)	5,3(-1,1)	0,17
IV	6,2(-1,0)	6,4(-1,2)	0,20

Note: Tolerances are given between brackets.

The thickness of the capacitors does not exceed 2,3 mm (0,09 in), except for the type as is indicated in Table 4.

#### Lacquer on the leads

When capacitors shown in Figs 1 and 2 are mounted on printed-wiring boards with a thickness of 1,5 mm and with holes of 1,3 mm diameter or on printed-wiring boards with a thickness of 1 mm and with holes of 0,8 mm diameter, there will be no lacquer on the leads at the lower side of the board. For the capacitance value indicated with an asterisk in Table 4, and lead pitch of 5,08 mm, the lacquer on the leads is less than 2 mm.

#### Marking

The body of the capacitors is tan coloured. The capacitors also have a colour mark on top indicating the temperature dependence of the capacitance; green for type 2222 629, yellow for type 2222 630, and blue for type 2222 640. The capacitance value is indicated on the body by figures according to Tables 3, 4 and 5 in a contrasting colour.

#### Mounting

When bending, cutting or flattening the leads, one should relieve them of the applied load at the capacitor body.

Soldering conditions                      max. 270 °C, max. 10 s

#### PACKING

The capacitors are supplied in boxes of 1000 (sizes I, IIA, IIB, III) or 500 (size IV).



2222 629  
 2222 630  
 2222 640

**ELECTRICAL DATA**

**Capacitors 2222 629 (colour mark green)**

The capacitors are in conformity with IEC 384-9.

Unless otherwise specified all electrical values apply a at a temperature of  $20 \pm 1 \text{ }^\circ\text{C}$ , an atmospheric pressure of 86 to 106 kPa and a relative humidity of 63 to 67%.

Capacitance values measured at 1 kHz, 1 V	1000–22 000 pF; E3 series (see Table 3)
Tolerance on the capacitance	–20 to + 80%
Rated d.c. voltage at 55 °C	63 V
Derated d.c. voltage at 85 °C	40 V
Test voltage (d.c.) for 1 min	200 V
Test voltage (d.c.) of coating for 1 min	200 V
Insulation resistance at 10 V (d.c.) after 1 min	$\geq 4000 \text{ M}\Omega$
→ Tan $\delta$ at 1 kHz, 1 V	$\leq 3,5 \%$
Category temperature range	–10 to + 55 °C
Storage temperature range	–55 to + 85 °C
Climatic category, IEC 68	10/055/21

Table 3

cap. pF	size see Table 2	marking	code in catalogue number, see Table 1
1 000	I	1n0	102
2 200	I	2n2	222
4 700	I	4n7	472
10 000	IIB	10n	103
22 000	IV	22n	223

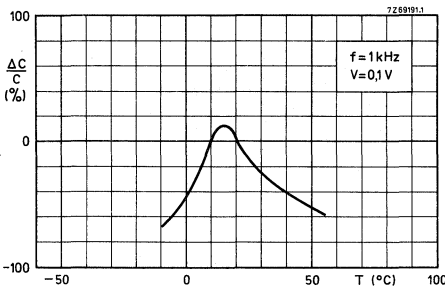


Fig. 3 Typical capacitance change as a function of temperature for capacitance values 2200 pF to 22 000 pF; dotted lines give an indication of the behaviour at higher and lower temperatures.

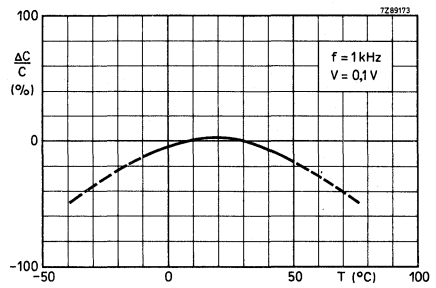


Fig. 4 Typical capacitance change as a function of temperature for capacitance value 1000 pF; dotted lines give an indication of the behaviour at higher and lower temperatures.

Fig. 5 Typical capacitance change with respect to the capacitance value at 0 V, as a function of d.c. voltage, for capacitance values 2200 to 22 000 pF.

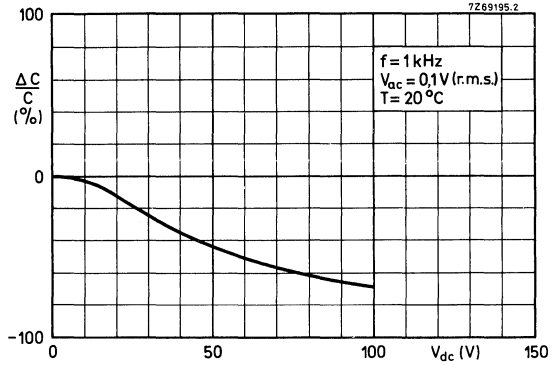


Fig. 6 Typical capacitance change with respect to the capacitance value at 0 V and 20 °C, as a function of temperature at different d.c. voltages, for capacitance values 2200 to 22 000 pF;  $V_{ac} = 0,1 \text{ V (r.m.s.)}$ .

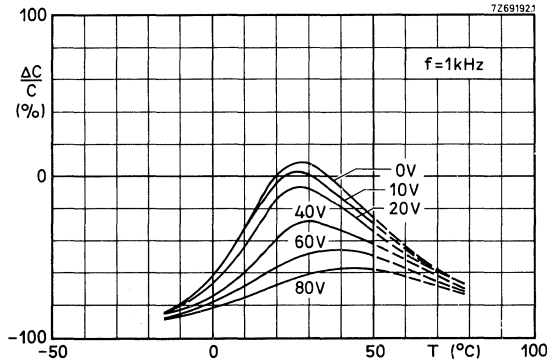
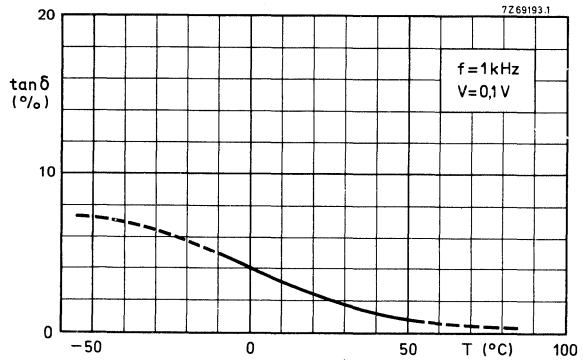


Fig. 7 Typical  $\tan \delta$  as a function of temperature, for capacitance values 2200 to 22 000 pF.



**ELECTRICAL DATA** (continued)

**Capacitors 2222 630** (colour mark yellow)

The capacitors are in conformity with IEC 384-9 (2C2).

Unless otherwise specified all electrical values apply at a temperature of  $20 \pm 1 \text{ }^\circ\text{C}$ , an atmospheric pressure of 86 to 106 kPa and a relative humidity of 63 to 67%.

Capacitance values,

measured at 1 kHz, 1 V

180 – 4700 pF, E12 series (see Table 4)

Tolerance on the capacitance

$\pm 10\%$

Rated d.c. voltage

100 V

Test voltage (d.c.) for 1 min

300 V

Test voltage (d.c.) of coating for 1 min

300 V

Insulation resistance at 100 V (d.c.)

after 1 min

$\geq 4000 \text{ M}\Omega$

Tan  $\delta$  at 1 kHz, 1 V

$\leq 3,5\%$

Maximum voltage dependence of the capacitance between 0 and 40 V

-5%

Category temperature range

-55 to + 85  $^\circ\text{C}$

Storage temperature range

-55 to + 85  $^\circ\text{C}$

Climatic category (IEC 68)

55/085/21

Table 4

cap. pF	size see Table 2	marking	code in catalogue number see Table 1	cap. pF	size see Table 2	marking	code in catalogue number see Table 1
180*	I	n18	181	1000	IIA	1n0	102
220	I	n22	221	1200	IIA	1n2	122
270	I	n27	271	1500	IIB	1n5	152
330	I	n33	331	1800	IIB	1n8	182
390	I	n39	391	2200	III	2n2	222
470	I	n47	471	2700	III	2n7	272
560	I	n56	561	3300	IV	3n3	332
680	I	n68	681	3900	IV	3n9	392
820	I	n82	821	4700	IV	4n7	472

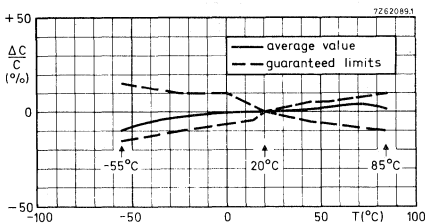


Fig. 8  $\Delta C$  with respect to C at 20  $^\circ\text{C}$  as a function of temperature.  $V = 0,1 \text{ V}$ ;  $f = 1 \text{ kHz}$ .

\* Maximum thickness 2,5 mm,  $H_{\text{max}} = 4,5 \text{ mm}$ .

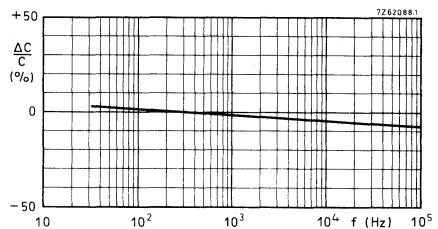


Fig. 9 Typ.  $\Delta C$  with respect to C at 300 Hz, as a function of frequency.  $V = 0,1 \text{ V}$ .

Fig. 10 Typical capacitance change with respect to the capacitance value at 0 V, as a function of d.c. voltage.

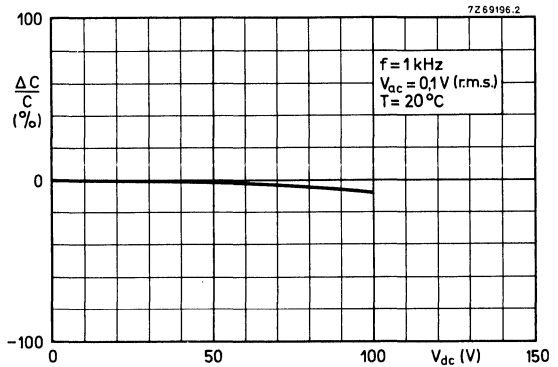


Fig. 11 Typical capacitance change with respect to the capacitance value at 0 V and 20 °C, as a function of temperature at different d.c. voltages.  $V_{ac} = 0,1 \text{ V (r.m.s.)}$ .

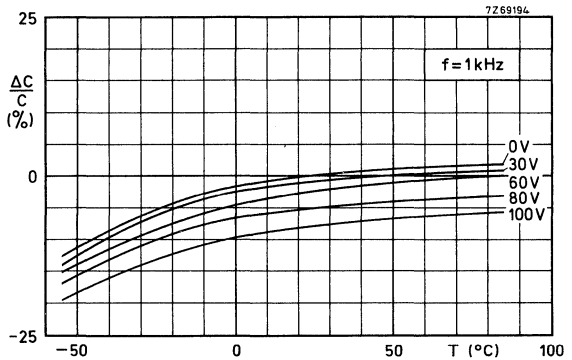
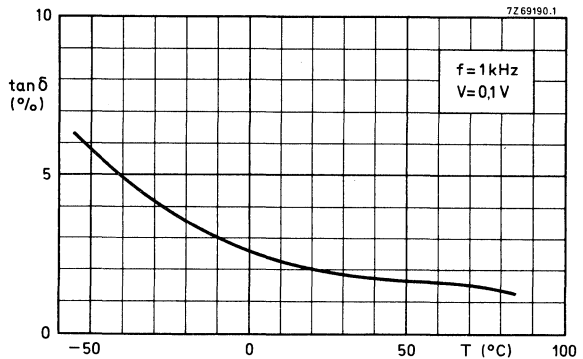


Fig. 12 Typical  $\tan \delta$  as a function of temperature.



2222 629  
 2222 630  
 2222 640

**ELECTRICAL DATA** (continued)

**Capacitors 2222 640** (colour mark blue)

The capacitors meet the essential requirements of IEC 384-9 (2E2).

Unless otherwise specified all electrical values apply at a temperature of  $20 \pm 1$  °C, an atmospheric pressure of 86 to 106 kPa and a relative humidity of 63 to 67%.

Capacitance values, measured at 1 kHz, 1 V	1000–10 000 pF; E6 series (see Table 5)
Tolerance on the capacitance	–20 to + 50%
Rated d.c. voltage	100 V
Test voltage (d.c.) for 1 min	300 V
Test voltage (d.c.) of coating for 1 min	300 V
Insulation resistance at 100 V (d.c.) → after 1 min	$\geq 4000$ M $\Omega$
Tan $\delta$ at 1 kHz, 1 V	$\leq 3,5\%$
Category temperature range	–55 to + 85 °C
Storage temperature range	–55 to + 85 °C
Climatic category (IEC 68)	55/085/21

Table 5

capacitance pF	size see Table 2	marking	code in catalogue number, see Table 1
1000	I	1n0	102
1500	I	1n5	152
2200	I	2n2	222
3300	IIA	3n3	332
4700	IIB	4n7	472
6800	III	6n8	682
10000	IV	10n	103

Graphs,  
measured at  
 $V_{ac} = 1 \text{ V (r.m.s.)}$   
 $f = 1 \text{ kHz}$ .

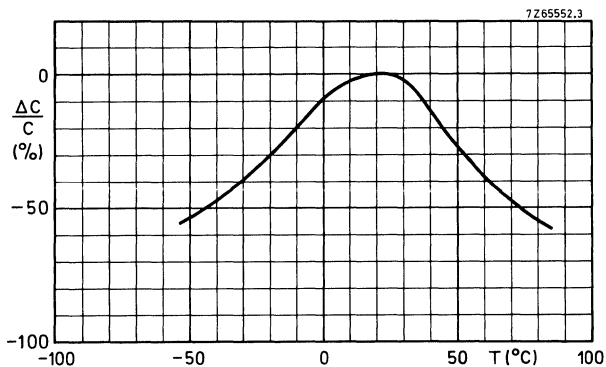


Fig. 13 Typical capacitance change versus temperature at 0 V (d.c.).

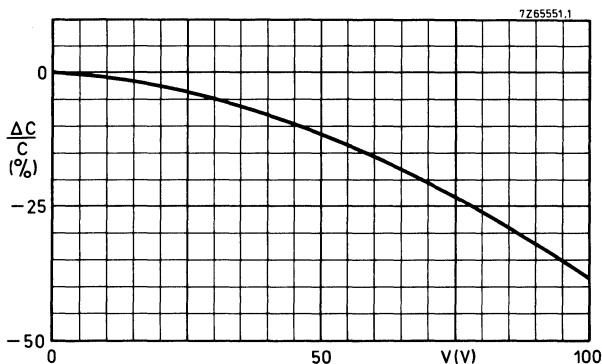


Fig. 14 Typical capacitance change with respect to the capacitance at 20 °C versus d.c. voltage.

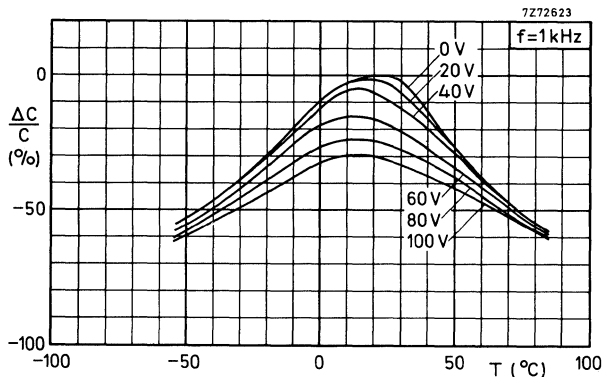


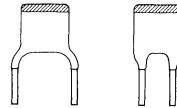
Fig. 15 Typical capacitance change with respect to the capacitance value at 0 V and 20 °C, as a function of temperature at different voltages.



## MINIATURE CERAMIC PLATE CAPACITORS

class 1,

- High-frequency circuits
- Temperature compensating
- High stability
- Space saving



## QUICK REFERENCE DATA

Capacitance range	0,56 to 560 pF (E12 series)
Rated d.c. voltage	100 V
Tolerance on capacitance	$\pm 2\%$ or $\pm 0,25$ pF
Temperature coefficients	P100, NP0, N075, N150, N220 N330, N470, N750, N1500
Sectional specification	IEC 384-8, sub-class 1B
Climatic category (IEC68)	55/085/21

## APPLICATION

In a wide variety of electronic equipment, e.g. as temperature compensating capacitors in tuning circuits and filters, as coupling and decoupling capacitors in high-frequency circuits where low losses and good d.c. behaviour are required.

Their small dimensions are an advantage in all cases where space-saving is important.

## DESCRIPTION

The capacitors consist of a thin rectangular ceramic plate, both sides being metallized and provided with connecting leads. They are insulated by a coating method that ensures an excellent behaviour under humid conditions. The colour of the capacitor body is grey. The capacitors distinguish themselves by small dimensions, narrow tolerances on the lead spacing and very little and well defined lacquer on the leads. The electrical properties are characterized by low losses, a very close standard tolerance on the capacitance ( $\pm 0,25$  pF or 2%), high stability and, owing to the absence of silver, an extremely good d.c. behaviour.

(Capacitors with silver electrodes suffer from the "silver migration" effect. Silver particles move from one electrode to the other under the influence of a d.c. voltage and moisture. Capacitors with silver electrodes are considerably larger.)



2222 631  
 2222 638  
 2222 641; 642

MECHANICAL DATA

Dimensions in mm

Outlines

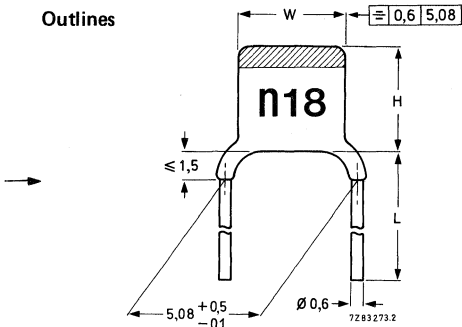


Fig. 1.

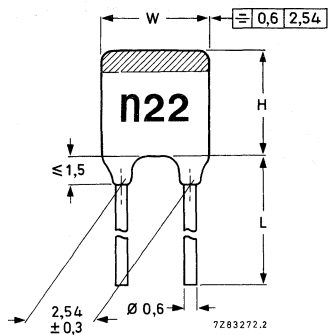


Fig. 2.

For dimensions H, L and W see Tables 1 and 2.

Table 1

pitch	lead diameter	Fig.	catalogue number *	
			L ≥ 15 mm	L = 6 +0 -2
5,08 mm (0,2 in)	0,6 mm (0,024 in)	1	2222 638 . . . . .	2222 642 . . . . .
2,54 mm (0,1 in)	0,6 mm (0,024 in)	2	2222 631 . . . . .	2222 641 . . . . .

\* For catalogue number suffix, see Tables 3 to 11.

Table 2

size	W mm	H mm	approx. mass g
I	3,6 (-1,1)	3,7 (-1,2)	0,14
IIA	3,9 (-1,2)	4,0 (-1,3)	0,15
IIB	4,5 (-1,2)	4,7 (-1,4)	0,15
III	5,1 (-0,9)	5,3 (-1,1)	0,17
IV	6,2 (-1,0)	6,4 (-1,2)	0,20
V	6,2 (-1,0)	8,6 (-1,6)	0,20

Note: Tolerances are given between brackets.

The thickness of the capacitors does not exceed 2,3 mm (0,08 in), except for a few types as is indicated in Tables 3 to 11.

#### Lacquer on the leads

When capacitors shown in Figs 1 and 2 are mounted on printed-wiring boards with a thickness of 1,5 mm and with holes of 1,3 mm diameter, or on printed-wiring boards with a thickness of 1 mm and with holes of 0,8 mm diameter, there will be no lacquer on the leads at the lower side of the board.

For those capacitance values indicated with asterisks in Tables 3 to 10, and lead pitch of 5,08 mm, the lacquer on the leads is less than 2 mm.

#### Marking

The temperature coefficient is indicated by a colour code as per IEC and EIA recommendations. The capacitance value is indicated on the body by figures in a contrasting colour.

#### Mounting

When bending, cutting or flattening the leads, they should be relieved of the applied load at the capacitor body,

Soldering conditions

max. 270 °C, max. 10 s

#### PACKING

The capacitors are supplied in boxes of 1000 (sizes I, IIA, IIB, III) or 500 (sizes IV, V).

2222 631  
2222 638  
2222 641; 642

### ELECTRICAL DATA

The capacitors meet the essential requirements of IEC 384-8. Unless stated otherwise all electrical values apply at an ambient temperature of  $20 \pm 1$  °C, an atmospheric pressure of 86 to 106 kPa and a relative humidity of 63 to 67%.

Capacitance values\* and tolerances,  
measured at 1 MHz,  $\leq 5$  V

see Tables 3 to 11

Rated d.c. voltage

100 V

Test voltage (d.c.) for 1 min

300 V

Test voltage (d.c.) of coating for 1 min

300 V

Insulation resistance after 1 min  
at 100 V (d.c.)

$\geq 10\,000\text{ M}\Omega$

Tan  $\delta^*$  at 1 MHz,  $\leq 5$  V  
for  $C \leq 50$  pF

$\leq 15 \left( \frac{15}{C} + 0,7 \right) \times 10^{-4}$ ; max.  $55 \times 10^{-4}$

for  $C > 50$  pF

$\leq 15 \times 10^{-4}$

Category temperature range

-55 to +85 °C

Storage temperature range

-55 to +85 °C

Climatic category, IEC 68

55/085/21

\* Including 2 mm per connecting lead.

## Capacitors with a temperature coefficient P100, rated voltage 100 V (d.c.)

Capacitance range 0,56 to 47 pF (E12 series)

Temperature coefficient of the capacitance  $\left(\frac{\Delta C}{C \cdot \Delta T}\right)$   $+ 100 \times 10^{-6}/K$ 

Tolerance on the temperature coefficient

for  $C < 20$  pF $(-40 \text{ to } +120) \times 10^{-6}/K$ for  $C \geq 20$  pF $\pm 40 \times 10^{-6}/K$ 

Marking colour of the temperature coefficient

red/violet

Table 3

cap. pF	tolerance	size see Table 2	marking	suffix of catalogue number see Table 1
0,56*	$\pm 0,25$ pF	I	p56	03567
0,68**	$\pm 0,25$ pF	I	p68	03687
0,82***	$\pm 0,25$ pF	I	p82	03827
1,0***	$\pm 0,25$ pF	I	1p0	03108
1,2	$\pm 0,25$ pF	I	1p2	03128
1,5	$\pm 0,25$ pF	I	1p5	03158
1,8	$\pm 0,25$ pF	I	1p8	03188
2,2	$\pm 0,25$ pF	I	2p2	03228
2,7	$\pm 0,25$ pF	I	2p7	03278
3,3	$\pm 0,25$ pF	I	3p3	03338
3,9	$\pm 0,25$ pF	I	3p9	03398
4,7	$\pm 0,25$ pF	I	4p7	03478
5,6	$\pm 0,25$ pF	I	5p6	03568
6,8	$\pm 0,25$ pF	I	6p8	03688
8,2	$\pm 0,25$ pF	IIA	8p2	03828
10	$\pm 2\%$	IIA	10p	04109
12	$\pm 2\%$	IIB	12p	04129
15	$\pm 2\%$	IIB	15p	04159
18	$\pm 2\%$	III	18p	04189
22	$\pm 2\%$	III	22p	04229
27	$\pm 2\%$	IV	27p	04279
33	$\pm 2\%$	IV	33p	04339
39	$\pm 2\%$	V	39p	04399
47	$\pm 2\%$	V	47p	04479

\* Maximum thickness 3,0 mm,  $H_{\max} = 4,5$  mm.\*\* Maximum thickness 2,7 mm,  $H_{\max} = 4,5$  mm.\*\*\* Maximum thickness 2,5 mm,  $H_{\max} = 4,5$  mm.

2222 631  
 2222 638  
 2222 641; 642

Capacitors with a temperature coefficient NP0, rated voltage 100 V (d.c.)

Capacitance range 1,8 to 120 pF (E12 series)

Temperature coefficient of the capacitance  $(\frac{\Delta C}{C \cdot \Delta T})$   $0 \times 10^{-6}/K$

→ Tolerance on the temperature coefficient  
 for  $C < 20$  pF  $(-40 \text{ to } +120) \times 10^{-6}/K$   
 for  $C \geq 20$  pF  $\pm 30 \times 10^{-6}/K$

Marking colour of the temperature coefficient black

Table 4

cap. pF	tolerance	size see Table 2	marking	suffix of catalogue number see Table 1
1,8	$\pm 0,25$ pF	I	1p8	09188
2,2	$\pm 0,25$ pF	I	2p2	09228
2,7	$\pm 0,25$ pF	I	2p7	09278
3,3	$\pm 0,25$ pF	I	3p3	09338
3,9	$\pm 0,25$ pF	I	3p9	09398
4,7	$\pm 0,25$ pF	I	4p7	09478
5,6	$\pm 0,25$ pF	I	5p6	09568
6,8	$\pm 0,25$ pF	I	6p8	09688
8,2	$\pm 0,25$ pF	I	8p2	09828
10	$\pm 2\%$	I	10p	10109
12	$\pm 2\%$	I	12p	10129
15	$\pm 2\%$	I	15p	10159
18	$\pm 2\%$	I	18p	10189
22	$\pm 2\%$	I	22p	10229
27	$\pm 2\%$	I	27p	10279
33	$\pm 2\%$	I	33p	10339
39	$\pm 2\%$	IIA	39p	10399
47	$\pm 2\%$	IIA	47p	10479
→ 56	$\pm 2\%$	IIA	56p	10569
68	$\pm 2\%$	IIB	68p	10689
82	$\pm 2\%$	IIB	82p	10829
100	$\pm 2\%$	III	n10	10101
120	$\pm 2\%$	III	n12	10121

Capacitors with a temperature coefficient N075, rated voltage 100 V (d.c.)

Capacitance range 3,9 to 120 pF (E12 series)

Temperature coefficient of the capacitance  $\left(\frac{\Delta C}{C \cdot \Delta T}\right)$   $-75 \times 10^{-6}/K$

Tolerance on the temperature coefficient  
for  $C < 20$  pF  $(-40 \text{ to } +60) \times 10^{-6}/K$   
for  $C \geq 20$  pF  $\pm 30 \times 10^{-6}/K$

Marking colour of the temperature coefficient red

Table 5

cap. pF	tolerance	size see Table 2	marking	suffix of catalogue number see Table 1
3,9	$\pm 0,25$ pF	I	3p9	27398
4,7	$\pm 0,25$ pF	I	4p7	27478
5,6	$\pm 0,25$ pF	I	5p6	27568
6,8	$\pm 0,25$ pF	I	6p8	27688
8,2	$\pm 0,25$ pF	I	8p2	27828
10	$\pm 2\%$	I	10p	28109
12	$\pm 2\%$	I	12p	28129
15	$\pm 2\%$	I	15p	28159
18	$\pm 2\%$	I	18p	28189
22	$\pm 2\%$	IIA	22p	28229
27	$\pm 2\%$	IIA	27p	28279
33	$\pm 2\%$	IIB	33p	28339
39	$\pm 2\%$	IIB	39p	28399
47	$\pm 2\%$	III	47p	28479
56	$\pm 2\%$	III	56p	28569
68	$\pm 2\%$	IV	68p	28689
82	$\pm 2\%$	IV	82p	28829
100	$\pm 2\%$	V	n10	28101
120	$\pm 2\%$	V	n12	28121

2222 631  
 2222 638  
 2222 641; 642

Capacitors with a temperature coefficient N150, rated voltage 100 V (d.c.)

Capacitance range 3,9 to 150 pF (E12 series)

Temperature coefficient of the capacitance  $\left(\frac{\Delta C}{C \cdot \Delta T}\right)$   $-150 \times 10^{-6}/K$

→ Tolerance on the temperature coefficient  
 for  $C < 20$  pF  $(-40 \text{ to } +60) \times 10^{-6}/K$   
 for  $C \geq 20$  pF  $\pm 40 \times 10^{-6}/K$

Marking colour of the temperature coefficient orange

Table 6

cap. pF	tolerance	size see Table 2	marking	suffix of catalogue number see Table 1
3,9*	$\pm 0,25$ pF	I	3p9	33398
4,7	$\pm 0,25$ pF	I	4p7	33478
5,6	$\pm 0,25$ pF	I	5p6	33568
6,8	$\pm 0,25$ pF	I	6p8	33688
8,2	$\pm 0,25$ pF	I	8p2	33828
10	$\pm 2\%$	I	10p	34109
12	$\pm 2\%$	I	12p	34129
15	$\pm 2\%$	I	15p	34159
18	$\pm 2\%$	I	18p	34189
22	$\pm 2\%$	I	22p	34229
27	$\pm 2\%$	I	27p	34279
33	$\pm 2\%$	I	33p	34339
39	$\pm 2\%$	IIA	39p	34399
47	$\pm 2\%$	IIA	47p	34479
56	$\pm 2\%$	IIB	56p	34569
68	$\pm 2\%$	IIB	68p	34689
→ 82	$\pm 2\%$	IIB	82p	34829
100	$\pm 2\%$	III	n10	34101
→ 120	$\pm 2\%$	III	n12	34121
150	$\pm 2\%$	IV	n15	34151

\* Maximum thickness 2,5 mm,  $H_{\max} = 4,5$  mm.

**Capacitors with a temperature coefficient N220, rated voltage 100 V (d.c.)**

Capacitance range 3,9 to 150 pF (E12 series)

Temperature coefficient of the capacitance  $\left(\frac{\Delta C}{C \cdot \Delta T}\right)$   $-220 \times 10^{-6}/K$ 

Tolerance on the temperature coefficient

for  $C < 20$  pF $(-40 \text{ to } +60) \times 10^{-6}/K$ for  $C \geq 20$  pF $\pm 40 \times 10^{-6}/K$ 

Marking colour of the temperature coefficient

yellow

Table 7

cap. pF	tolerance	size see Table 2	marking	suffix of catalogue number see Table 1
3,9*	$\pm 0,25$ pF	I	3p9	39398
4,7	$\pm 0,25$ pF	I	4p7	39478
5,6	$\pm 0,25$ pF	I	5p6	39568
6,8	$\pm 0,25$ pF	I	6p8	39688
8,2	$\pm 0,25$ pF	I	8p2	39828
10	$\pm 2\%$	I	10p	40109
12	$\pm 2\%$	I	12p	40129
15	$\pm 2\%$	I	15p	40159
18	$\pm 2\%$	I	18p	40189
22	$\pm 2\%$	I	22p	40229
27	$\pm 2\%$	IIA	27p	40279
33	$\pm 2\%$	IIA	33p	40339
39	$\pm 2\%$	IIB	39p	40399
47	$\pm 2\%$	IIB	47p	40479
56	$\pm 2\%$	III	56p	40569
68	$\pm 2\%$	III	68p	40689
82	$\pm 2\%$	IV	82p	40829
100	$\pm 2\%$	IV	n10	40101
120	$\pm 2\%$	V	n12	40121
150	$\pm 2\%$	V	n15	40151

\* Maximum thickness 2,5 mm,  $H_{\max} = 4,5$  mm.



2222 631  
 2222 638  
 2222 641; 642

Capacitors with a temperature coefficient N330, rated voltage 100 V (d.c.)

Capacitance range	4,7 to 180 pF (E12 series)
Temperature coefficient of the capacitance $(\frac{\Delta C}{C \cdot \Delta T})$	$-330 \times 10^{-6}/K$
Tolerance on the temperature coefficient	$\pm 60 \times 10^{-6}/K$
Marking colour of the temperature coefficient	green

Table 8

cap. pF	tolerance	size see Table 2	marking	suffix of catalogue number see Table 1
4,7	$\pm 0,25$ pF	I	4p7	45478
5,6	$\pm 0,25$ pF	I	5p6	45568
6,8	$\pm 0,25$ pF	I	6p8	45688
8,2	$\pm 0,25$ pF	I	8p2	45828
10	$\pm 2\%$	I	10p	46109
12	$\pm 2\%$	I	12p	46129
15	$\pm 2\%$	I	15p	46159
18	$\pm 2\%$	I	18p	46189
22	$\pm 2\%$	I	22p	46229
27	$\pm 2\%$	I	27p	46279
33	$\pm 2\%$	IIA	33p	46339
39	$\pm 2\%$	IIA	39p	46399
47	$\pm 2\%$	IIB	47p	46479
56	$\pm 2\%$	IIB	56p	46569
68	$\pm 2\%$	III	68p	46689
82	$\pm 2\%$	III	82p	46829
100	$\pm 2\%$	IV	n10	46101
120	$\pm 2\%$	IV	n12	46121
150	$\pm 2\%$	V	n15	46151
180	$\pm 2\%$	V	n18	46181

Capacitors with a temperature coefficient N470, rated voltage 100 V (d.c.)

Capacitance range 6,8 to 220 pF (E12 series)

Temperature coefficient of the capacitance  $\left(\frac{\Delta C}{C \cdot \Delta T}\right)$   $-470 \times 10^{-6}/K$

Tolerance on the temperature coefficient  
for  $C < 20$  pF  $(-90 \text{ to } +250) \times 10^{-6}/K$   
for  $C \geq 20$  pF  $\pm 60 \times 10^{-6}/K$

Marking colour of the temperature coefficient blue

Table 9

cap. pF	tolerance	size see Table 2	marking	suffix of catalogue number see Table 1
6,8	$\pm 0,25$ pF	I	6p8	51688
8,2	$\pm 0,25$ pF	I	8p2	51828
10	$\pm 2\%$	I	10p	52109
12	$\pm 2\%$	I	12p	52129
15	$\pm 2\%$	I	15p	52159
18	$\pm 2\%$	I	18p	52189
22	$\pm 2\%$	I	22p	52229
27	$\pm 2\%$	I	27p	52279
33	$\pm 2\%$	I	33p	52339
39	$\pm 2\%$	IIA	39p	52399
47	$\pm 2\%$	IIA	47p	52479
56	$\pm 2\%$	IIB	56p	52569
68	$\pm 2\%$	IIB	68p	52689
82	$\pm 2\%$	III	82p	52829
100	$\pm 2\%$	III	n10	52101
120	$\pm 2\%$	IV	n12	52121
150	$\pm 2\%$	IV	n15	52151
180	$\pm 2\%$	V	n18	52181
220	$\pm 2\%$	V	n22	52221

2222 631  
 2222 638  
 2222 641; 642

Capacitors with a temperature coefficient N750, rated voltage 100 V (d.c.)

Capacitance range 3,9 to 330 pF (E12 series)

Temperature coefficient of the capacitance  $(\frac{\Delta C}{C \cdot \Delta T})$   $-750 \times 10^{-6}/K$

→ Tolerance on the temperature coefficient  
 for  $C < 20$  pF  $(-120 \text{ to } +250) \times 10^{-6}/K$   
 for  $C \geq 20$  pF  $\pm 120 \times 10^{-6}/K$

Marking colour of the temperature coefficient violet

Table 10

cap. pF	tolerance	size see Table 2	marking	suffix of catalogue number see Table 1
3,9	$\pm 0,25$ pF	I	3p9	57398
4,7	$\pm 0,25$ pF	I	4p7	57478
5,6	$\pm 0,25$ pF	I	5p6	57568
6,8	$\pm 0,25$ pF	I	6p8	57688
8,2	$\pm 0,25$ pF	I	8p2	57828
10	$\pm 2\%$	I	10p	58109
12	$\pm 2\%$	I	12p	58129
15	$\pm 2\%$	I	15p	58159
18	$\pm 2\%$	I	18p	58189
22	$\pm 2\%$	I	22p	58229
27	$\pm 2\%$	I	27p	58279
33	$\pm 2\%$	I	33p	58339
39	$\pm 2\%$	I	39p	58399
47	$\pm 2\%$	I	47p	58479
56	$\pm 2\%$	IIA	56p	58569
68	$\pm 2\%$	IIA	68p	58689
82	$\pm 2\%$	IIB	82p	58829
100	$\pm 2\%$	IIB	n10	58101
120	$\pm 2\%$	III	n12	58121
150	$\pm 2\%$	III	n15	58151
180	$\pm 2\%$	IV	n18	58181
220	$\pm 2\%$	IV	n22	58221
270	$\pm 2\%$	V	n27	58271
330	$\pm 2\%$	V	n33	58331

**Capacitors with a temperature coefficient N1500, rated voltage 100 V (d.c.)**

Capacitance range 18 to 560 pF (E12 series)

Temperature coefficient of the capacitance  $\left(\frac{\Delta C}{C \cdot \Delta T}\right)$   $-1500 \times 10^{-6}/K$ Tolerance on the temperature coefficient  $(0 \text{ to } +500) \times 10^{-6}/K$ 

Marking colour of the temperature coefficient orange/orange

Table 11

cap. pF	tolerance	size see Table 2	marking	suffix of catalogue number see Table 1
18*	± 2%	I	18p	70189
22**	± 2%	I	22p	70229
27	± 2%	I	27p	70279
33	± 2%	I	33p	70339
39	± 2%	I	39p	70399
47	± 2%	I	47p	70479
56	± 2%	I	56p	70569
68	± 2%	I	68p	70689
82	± 2%	I	82p	70829
100	± 2%	IIA	n10	70101
120	± 2%	IIA	n12	70121
150	± 2%	IIB	n15	70151
180	± 2%	IIB	n18	70181
220	± 2%	III	n22	70221
270	± 2%	III	n27	70271
330	± 2%	IV	n33	70331
390	± 2%	IV	n39	70391
470	± 2%	V	n47	70471
560	± 2%	V	n56	70561

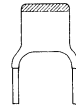
\* Maximum thickness 2,5 mm,  $H_{\max} = 4,5$  mm\*\*  $H_{\max} = 4,0$  mm.



**MINIATURE CERAMIC PLATE CAPACITORS**

class 1, 500 V (d.c.)

- High-frequency circuits
- Temperature compensating
- High stability
- Space saving

**QUICK REFERENCE DATA**

Capacitance range	0,47 to 270 pF (E12 series)
Rated d.c. voltage	500 V
Tolerance on capacitance	$\pm 2\%$ or $\pm 0,25$ pF
Temperature coefficients	P100, NPO, N150, N750, N1500
Sectional specification	IEC 384-8, sub-class 1B
Climatic category (IEC 68)	55/085/21

**APPLICATION**

In a great variety of electronic circuits, e.g. in filters and tuning circuits where high stability and/or temperature compensation are needed. Because of their small size the capacitors are very suitable for circuitry with high component density.

**DESCRIPTION**

The capacitors consist of a thin rectangular ceramic plate, both sides of which are metallized and provided with connecting leads. They are insulated by a coating that ensures a good behaviour under humid conditions. The colour of the capacitor body is grey. The capacitors distinguish themselves by small dimensions and narrow tolerances on the lead spacing.

The electrical properties are characterized by low losses, a very close standard tolerance on the capacitance ( $\pm 0,25$  pF or 2%), high stability and, owing to the absence of silver, an extremely good d.c. behaviour.

**MECHANICAL DATA**

Dimensions in mm

**Outlines**

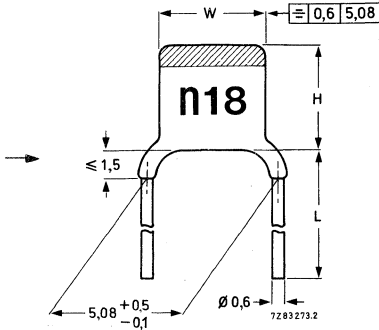


Fig. 1.

For dimensions H, L and W, see Tables 1 and 2.

**Table 1**

pitch	lead diameter	catalogue number *	
		L ≥ 13 mm	L = 4 ± 0,5
5,08 mm (0,2 in)	0,6 mm (0,024 in)	2222 650 . . . . .	2222 651 . . . . .

**Table 2**

size	W	H	approx. mass g
I	3,6(-1,1)	3,7(-1,2)	0,15
IIA	3,9(-1,2)	4,0(-1,3)	0,15
IIB	4,5(-1,2)	4,7(-1,4)	0,16
III	5,1(-0,9)	5,3(-1,1)	0,17
IV	6,2(-1,0)	6,4(-1,2)	0,21
V	6,2(-1,0)	8,6(-1,5)	0,23

Note: Tolerances are given between brackets.

Except for the types indicated in Tables 3 to 7, the thickness of the capacitor does not exceed 2,3 mm.

**Lacquer on the leads**

When the capacitors are mounted on printed-wiring boards with a thickness of 1,5 mm and with holes of 1,3 mm diameter or on printed-wiring boards with a thickness of 1 mm and with holes of 0,8 mm diameter, there will be no lacquer on the leads at the lower side of the board. For those capacitance values indicated with asterisks in Tables 3 to 7, the lacquer on the leads is less than 2 mm.

**Marking**

The temperature coefficient is indicated by a colour code as per IEC and EIA recommendations. The capacitance value and the voltage are indicated on the body by figures in a contrasting colour, see Tables 3 to 7.

**Mounting**

When bending, cutting or flattening the leads, they should be relieved of the applied load at the capacitor body,

Soldering conditions                      max. 270 °C, max. 10 s

**PACKING**

The capacitors are packed in boxes of 1000 (sizes I, IIA, IIB, III) or 500 (sizes IV and V).

\* For catalogue number suffix, see Tables 3 to 7.

## ELECTRICAL DATA

The capacitors meet the essential requirements of IEC 384-8. Unless stated otherwise all electrical values apply at an ambient temperature of  $20 \pm 1$  °C, an atmospheric pressure of 86 to 106 kPa and a relative humidity of 63 to 67%.

Capacitance values* and tolerances, measured at 1 MHz, $\leq 5$ V	0,47 to 270 pF, E12 series, see Tables 3 to 7
Rated d.c. voltage	500 V
Test voltage (d.c.) for 1 minute	1250 V
Test voltage (d.c.) of coating for 1 minute	1250 V
Insulation resistance at 500 V (d.c.) after 1 min	$> 10\,000\text{ M}\Omega$
Tan $\delta^*$ at 1 MHz, $\leq 5$ V for $C < 50$ pF	$\leq 15 \left( \frac{15}{C} + 0,7 \right) \cdot 10^{-4}$
for $C > 50$ pF	$\leq 15 \cdot 10^{-4}$
Category temperature range	-55 to + 85 °C
Storage temperature range	-55 to + 85 °C
Climatic category (IEC 68)	55/085/21

\* Including 2 mm per connecting lead.



2222 650  
2222 651

**Capacitors with temperature coefficient P100**

Capacitance range

0,47 to 33 pF (E12 series)

Temperature coefficient of the

capacitance  $\left(\frac{\Delta C}{C \cdot \Delta T}\right)$

+ 100 x 10<sup>-6</sup>/K

→ Tolerance on the temperature coefficient

for C < 20 pF

for C ≥ 20 pF

(-40 to + 120) x 10<sup>-6</sup>/K

± 40 x 10<sup>-6</sup>/K

Marking colour of the temperature coefficient

red/violet

Table 3

capacitance pF	tolerance	size see Table 2	marking		suffix of catalogue number see Table 1
0,47*	± 0,25 pF	I	p47	500	03477
0,68	± 0,25 pF	I	p68	500	03687
1,0	± 0,25 pF	I	1p0	500	03108
1,2	± 0,25 pF	I	1p2	500	03128
1,5*	± 0,25 pF	I	1p5	500	03158
1,8	± 0,25 pF	I	1p8	500	03188
2,2	± 0,25 pF	I	2p2	500	03228
2,7	± 0,25 pF	I	2p7	500	03278
3,3	± 0,25 pF	I	3p3	500	03338
3,9	± 0,25 pF	I	3p9	500	03398
4,7	± 0,25 pF	IIA	4p7	500	03478
5,6	± 0,25 pF	IIA	5p6	500	03568
6,8	± 0,25 pF	IIB	6p8	500	03688
8,2	± 0,25 pF	IIB	8p2	500	03828
10	± 2%	III	10p	500	04109
12	± 2%	III	12p	500	04129
15	± 2%	III	15p	500	04159
18	± 2%	IV	18p	500	04189
22	± 2%	IV	22p	500	04229
27	± 2%	V	27p	500	04279
33	± 2%	V	33p	500	04339

\* Maximum thickness 2,5 mm, H<sub>max</sub> = 4,5 mm.

**Capacitors with a temperature coefficient NP0**

Capacitance range	0,82 to 47 pF (E12 series)
Temperature coefficient of the capacitance $\left(\frac{\Delta C}{C \cdot \Delta T}\right)$	$0 \times 10^{-6}/K$
Tolerance on the temperature coefficient for $C < 20$ pF for $C \geq 20$ pF	$(-40 + 120) \times 10^{-6}/K$ $\pm 30 \times 10^{-6}/K$
Marking colour for the temperature coefficient	black

Table 4

capacitance pF	tolerance	size see table 2	marking		suffix of catalogue number see Table 1
0,82*	$\pm 0,25$ pF	I	p82	500	09827
1 *	$\pm 0,25$ pF	I	1p0	500	09108
1,2	$\pm 0,25$ pF	I	1p2	500	09128
1,5	$\pm 0,25$ pF	I	1p5	500	09158
1,8	$\pm 0,25$ pF	I	1p8	500	09188
2,2	$\pm 0,25$ pF	I	2p2	500	09228
2,7	$\pm 0,25$ pF	I	2p7	500	09278
3,3	$\pm 0,25$ pF	I	3p3	500	09338
3,9	$\pm 0,25$ pF	I	3p9	500	09398
4,7	$\pm 0,25$ pF	I	4p7	500	09478
5,6	$\pm 0,25$ pF	I	5p6	500	09568
6,8	$\pm 0,25$ pF	IIA	6p8	500	09688
8,2	$\pm 0,25$ pF	IIA	8p2	500	09828
10	$\pm 2\%$	IIB	10p	500	10109
12	$\pm 2\%$	IIB	12p	500	10129
15	$\pm 2\%$	IIB	15p	500	10159
18	$\pm 2\%$	III	18p	500	10189
22	$\pm 2\%$	III	22p	500	10229
27	$\pm 2\%$	IV	27p	500	10279
33	$\pm 2\%$	IV	33p	500	10339
39	$\pm 2\%$	IV	39p	500	10399
47	$\pm 2\%$	V	47p	500	10479

\* Maximum thickness 2,5 mm,  $H_{\max} = 4,5$  mm.

2222 650  
2222 651

**Capacitors with a temperature coefficient N150**

Capacitance range 2,2 to 56 pF (E12 series)

Temperature coefficient of the capacitance  $(\frac{\Delta C}{C \cdot \Delta T})$   $-150 \times 10^{-6}/K$

→ Tolerance on the temperature coefficient  
for  $C < 20$  pF  $(-40 + 60) \times 10^{-6}/K$   
for  $C \geq 20$  pF  $\pm 30 \times 10^{-6}/K$

Marking colour of the temperature coefficient orange

Table 5

capacitance pF	tolerance	size see table 2	marking		suffix of catalogue number see Table 1
2,2*	$\pm 0,25$ pF	I	2p2	500	2222 650 33228
2,7*	$\pm 0,25$ pF	I	2p7	500	33278
3,3	$\pm 0,25$ pF	I	3p3	500	33338
3,9	$\pm 0,25$ pF	I	3p9	500	33398
4,7	$\pm 0,25$ pF	I	4p7	500	33478
5,6	$\pm 0,25$ pF	I	5p6	500	33568
6,8	$\pm 0,25$ pF	I	6p8	500	33688
8,2	$\pm 0,25$ pF	IIA	8p2	500	33828
10	$\pm 2\%$	IIA	10p	500	34109
12	$\pm 2\%$	IIB	12p	500	34129
15	$\pm 2\%$	IIB	15p	500	34159
18	$\pm 2\%$	IIB	18p	500	34189
22	$\pm 2\%$	III	22p	500	34229
27	$\pm 2\%$	III	27p	500	34279
33	$\pm 2\%$	IV	33p	500	34339
39	$\pm 2\%$	IV	39p	500	34399
47	$\pm 2\%$	IV	47p	500	34479
56	$\pm 2\%$	V	56p	500	34569

\* Maximum thickness 2,5 mm,  $H_{max} = 4,5$  mm.

## Capacitors with a temperature coefficient N750

Capacitance range 1,8 to 120 pF (E12 series)

Temperature coefficient of the

capacitance  $\left(\frac{\Delta C}{C \cdot \Delta T}\right)$   $-750 \times 10^{-6}/K$ 

Tolerance on the temperature coefficient

for  $C < 20$  pFfor  $C \geq 20$  pF $(-120 + 250) \times 10^{-6}/K$  $\pm 120 \times 10^{-6}/K$ 

Marking colour of the temperature coefficient

violet

Table 6

capacitance pF	tolerance	size see Table 2	marking		suffix of catalogue number see Table 1
1,8*	$\pm 0,25$ pF	I	1p8	500	57188
2,2**	$\pm 0,25$ pF	I	2p2	500	57228
2,7	$\pm 0,25$ pF	I	2p7	500	57278
3,3	$\pm 0,25$ pF	I	3p3	500	57338
3,9	$\pm 0,25$ pF	I	3p9	500	57398
4,7**	$\pm 0,25$ pF	I	4p7	500	57478
5,6	$\pm 0,25$ pF	I	5p6	500	57568
6,8	$\pm 0,25$ pF	I	6p8	500	57688
8,2	$\pm 0,25$ pF	I	8p2	500	57828
10	$\pm 2\%$	I	10p	500	58109
12	$\pm 2\%$	I	12p	500	58129
15	$\pm 2\%$	I	15p	500	58159
18	$\pm 2\%$	IIA	18p	500	58189
22	$\pm 2\%$	IIA	22p	500	58229
27	$\pm 2\%$	IIB	27p	500	58279
33	$\pm 2\%$	IIB	33p	500	58339
39	$\pm 2\%$	IIB	39p	500	58399
47	$\pm 2\%$	III	47p	500	58479
56	$\pm 2\%$	III	56p	500	58569
68	$\pm 2\%$	IV	68p	500	58689
82	$\pm 2\%$	IV	82p	500	58829
100	$\pm 2\%$	IV	n10	500	58101
120	$\pm 2\%$	V	n12	500	58121

\* Maximum thickness 2,7 mm,  $H_{\max} = 4,5$  mm.\*\* Maximum thickness 2,5 mm,  $H_{\max} = 4,5$  mm.

Capacitors with a temperature coefficient N1500

Capacitance range

8,2 to 270 pF (E12 series)

Temperature coefficient of the

capacitance  $(\frac{\Delta C}{C \cdot \Delta T})$

$-1500 \times 10^{-6}/K$

Tolerance on the temperature coefficient

$(-0 + 500) \times 10^{-6}/K$

Marking colour of the temperature coefficient

orange/orange

Table 7

capacitance pF	tolerance	size see Table 2	marking		suffix of catalogue number see Table 1
8,2*	± 0,25 pF	I	8p2	500	69828
10 **	± 2%	I	10p	500	70109
12 **	± 2%	I	12p	500	70129
15	± 2%	I	15p	500	70159
18	± 2%	I	18p	500	70189
22	± 2%	I	22p	500	70229
27	± 2%	I	27p	500	70279
33	± 2%	IIA	33p	500	70339
39	± 2%	IIA	39p	500	70399
47	± 2%	IIA	47p	500	70479
56	± 2%	IIB	56p	500	70569
68	± 2%	IIB	68p	500	70689
82	± 2%	IIB	82p	500	70829
100	± 2%	III	n10	500	70101
120	± 2%	III	n12	500	70121
150	± 2%	IV	n15	500	70151
180	± 2%	IV	n18	500	70181
220	± 2%	IV	n22	500	70221
270	± 2%	V	n27	500	70271

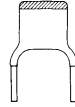
\* Maximum thickness 3,0 mm,  $H_{max} = 4,5$  mm.

\*\* Maximum thickness 2,5 mm,  $H_{max} = 4,5$  mm.

## MINIATURE CERAMIC PLATE CAPACITORS

class 2, 500 V (d.c.)

- General purpose
- Coupling and decoupling
- Space saving



### QUICK REFERENCE DATA

Capacitance range	100 - 2700 pF (E12 series)
Rated d.c. voltage	500 V
Tolerance on capacitance	± 10%
Sectional specification	IEC 384-9 (2C2)
Climatic category (IEC 68)	55/085/21

### APPLICATION

Electronic circuits where a non-linear change of capacitance with temperature is permissible and very low losses are not essential, e.g. coupling and decoupling.

Because of their small size the capacitors are ideal for circuitry with a high component density.

### DESCRIPTION

The capacitors consist of a thin rectangular ceramic plate, both sides of which are metallized. The tinned connecting leads are secured with a high melting point solder.

The capacitors are protected by several layers of tan lacquer that ensures a good behaviour under humid conditions and is resistant to all commonly used cleaning solvents.

No silver migration can occur.

MECHANICAL DATA

Dimensions in mm

Outlines

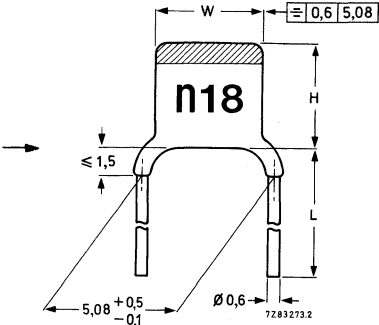


Table 1

pitch	lead diameter	catalogue number*	
		L ≥ 13 mm	L = 4 ± 0,5
5,08 mm (0,2 in)	0,6 mm (0,024 in)	2222 655 03 . . .	2222 655 06 . . .

Fig. 1.

For dimensions H, L and W, see Tables 1 and 2.

Table 2

size	W	H	approx. mass g
I	3,6 (-1,1)	3,7 (-1,2)	0,15
IIA	3,9 (-1,2)	4,0 (-1,3)	0,15
IIB	4,5 (-1,2)	4,7 (-1,4)	0,16
III	5,1 (-0,9)	5,3 (-1,1)	0,17
IV	6,2 (-1,0)	6,4 (-1,2)	0,21
V	6,2 (-1,0)	8,6 (-1,5)	0,23

Note: Tolerances are given between brackets.

Except for the types indicated in Table 3, the thickness of the capacitor does not exceed 2,3 mm.

Lacquer on the leads

When the capacitors are mounted on printed-wiring boards with a thickness of 1,5 mm and with holes of 1,3 mm diameter or on printed-wiring boards with a thickness of 1 mm and with holes of 0,8 mm diameter there will be no lacquer on the leads at the lower side of the board. For those capacitance values indicated with asterisks in Table 3, the lacquer on the leads is less than 2 mm.

Marking

The body of the capacitors is tan coloured.

The temperature dependence is indicated by a yellow colour cap. Capacitance value and voltage are indicated on the body by figures according to Table 3 in a contrasting colour.

Mounting

When bending, cutting or flattening the leads, one should relieve them of the applied load at the capacitor body.

Soldering conditions      max. 270 °C, max. 10 s

PACKING

The capacitors are supplied in boxes of 1000 (sizes I, IIA, IIB, III) or 500 (sizes IV and V).

\* 3 dots to be replaced by code for capacitance value, see Table 3.

## ELECTRICAL DATA

The capacitors meet the essential requirements of IEC 384-9. Unless stated otherwise all electrical values apply at an ambient temperature of  $20 \pm 1$  °C, an atmospheric pressure of 86 to 106 kPa and a relative humidity of 63 to 67%.

Capacitance values, measured at 1 kHz, 1 V	100 to 2700 pF, E12 series see Table 3
Tolerance on the capacitance	$\pm 10\%$
Rated d.c. voltage	500 V
Test voltage (d.c.) for 1 min	1250 V
Test voltage (d.c.) of coating for 1 min	1250 V
Insulation resistance at 500 V (d.c.) after 1 min	> 4000 M $\Omega$
Tan $\delta$ at 1 kHz, 1 V	< 3,5%
Category temperature range	-55 to + 85 °C
Climatic category	55/085/21
Storage temperature range	-55 to + 85 °C
Capacitance change versus temperature	see Fig. 2
Capacitance change versus frequency	see Fig. 3

Table 3

capacitance pF	size see Table 2	marking		code in catalogue number, see Table 1
100 *	I	n10	500	101
120 **	I	n12	500	121
150	I	n15	500	151
180	I	n18	500	181
220	I	n22	500	221
270	I	n27	500	271
330	I	n33	500	331
390	IIA	n39	500	391
470	IIA	n47	500	471
560	IIB	n56	500	561
680	IIB	n68	500	681
820	IIB	n82	500	821
1000	III	1n0	500	102
1200	III	1n2	500	122
1500	IV	1n5	500	152
1800	IV	1n8	500	182
2200	IV	2n2	500	222
2700	V	2n7	500	272

\* Maximum thickness 2,7 mm,  $H_{\max} = 4,5$  mm.\*\* Maximum thickness 2,5 mm,  $H_{\max} = 4,5$  mm.



Fig. 2 Capacitance change with respect to the capacitance at 20 °C as a function of temperature.

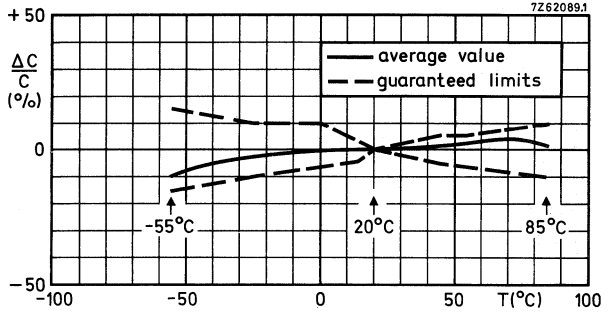
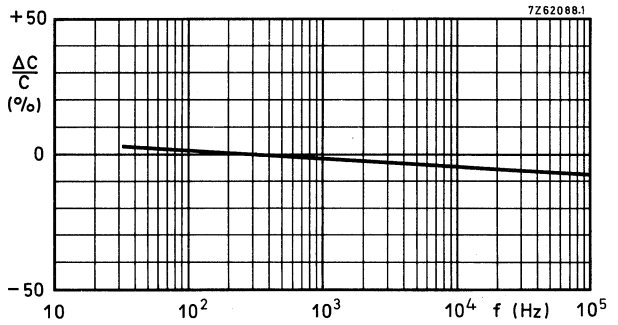


Fig. 3 Typical capacitance change with respect to the capacitance at 300 Hz as a function of frequency.

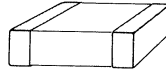


## CERAMIC MULTILAYER CAPACITORS



## SURFACE MOUNTED CERAMIC MULTILAYER CAPACITORS

- Six standard sizes
- High capacitance per unit volume
- Supplied in boxes or in tape on reel



### QUICK REFERENCE DATA

Capacitance range	
class 1, NP0 dielectric	0,47 to 10 000 pF (E12-series)*
N220 dielectric	4,7 to 820 pF (E12-series)*
N750 dielectric	6,8 to 1200 pF (E12-series)*
class 2, X7R dielectric	180 pF to 1 $\mu$ F (E12-series)
Y5V dielectric	2200 to 100 000 pF (E6-series)**
Rated voltage $U_R$ (d.c.)	63 V (IEC)
Tolerance on capacitance	
NP0, N220, N750 dielectrics	$\pm 10\%$ , $\pm 5\%$ ; below 10 pF: $\pm 0,5$ or $\pm 0,25$ pF
X7R dielectric	$\pm 20\%$ , $\pm 10\%$
Y5V dielectric	-20 to + 80%, $\pm 20\%$
Sectional specification	IEC 384-10, 40 (secretariat) 544
Climatic category (IEC 68)	
NP0, N220, N750 dielectrics	55/125/56
X7R dielectric	55/125/56
Y5V dielectric	25/085/56
Resistance to soldering heat	260 $^{\circ}$ C, 10 s

### APPLICATION

These capacitors with high capacitance per unit volume are for surface mounted assembly. Their dimensions, performance, and reliability make them very attractive for a wide range of applications, specially where high package density is required.

Typical application areas are e.g. radio, television, cameras, pocket calculators, telecommunication and military equipment.

The taped versions are especially suitable for automatic placement.

\* Below 10 pF other values on request.

\*\* Values up to 1  $\mu$ F under development.

# CERAMIC MULTILAYER CAPACITORS

## DESCRIPTION

The capacitors consist of a rectangular block of ceramic dielectric in which a number of interleaved precious-metal electrodes yield a high capacitance per unit volume. They are AgPd (35/65) metallized or NiSn metallized at the terminations (see Fig. 1).

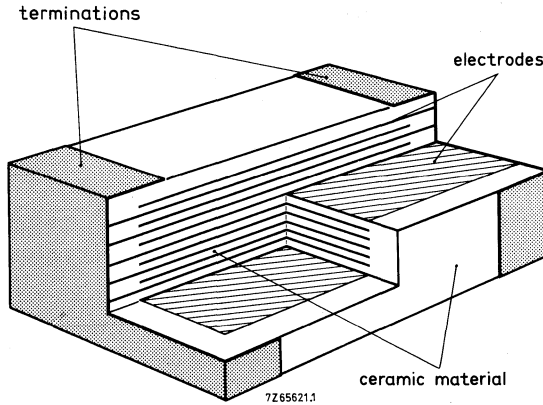


Fig. 1.

## MECHANICAL DATA

Dimensions in mm

### Outlines

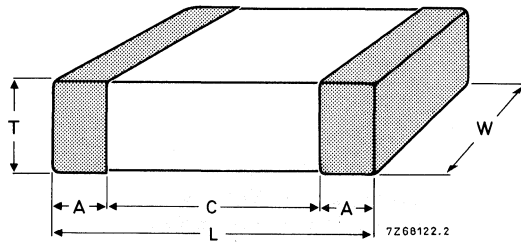


Fig. 2.

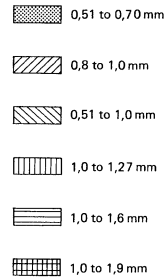
Table 1

size	L	W	T		A		C min.
			min.	max.	min.	max.	
0805	$2,0 \pm 0,15$	$1,25 \pm 0,15$	0,51*	1,27*	0,25	0,75	0,4
1206	$3,2 \pm 0,15$	$1,6 \pm 0,15$	0,51*	1,60*	0,25	0,75	
1210	$3,2 \pm 0,2$	$2,5 \pm 0,2$	0,51	1,90	0,3	1,0	
1808	$4,5 \pm 0,2$	$2,0 \pm 0,2$	0,51	1,90	0,3	1,0	
1812	$4,5 \pm 0,2$	$3,2 \pm 0,2$	0,51	1,90	0,3	1,0	
2220	$5,7 \pm 0,2$	$5,0 \pm 0,2$	0,51	1,90	0,3	1,0	

\* See also Table 2.

Table 2 Capacitor thickness for sizes 0805, 1206 and 1210

C pF	SIZE 0805					SIZE 1206					SIZE 1210	
	NP0	N220	N750	X7R	Y5V	NP0	N220	N750	X7R	Y5V	NP0	X7R
0,47												
0,56												
0,68												
0,82												
1,0												
1,2												
1,5												
1,8												
2,2												
2,7												
3,3												
3,9												
4,7												
5,6												
6,8												
8,2												
10												
12												
15												
18												
22												
27												
33												
39												
47												
56												
68												
82												
100												
120												
150												
180												
220												
270												
330												
390												
470												
560												
680												
820												
1000												
1200												
1500												
1800												
2200												
2700												
3300												
3900												
4700												
5600												
6800												
8200												
10000												
12000												
15000												
18000												
22000												
27000												
33000												
39000												
47000												
56000												
68000												
82000												
100000												
120000												
150000												
180000												
220000												



7Z90924.3

# CERAMIC MULTILAYER CAPACITORS

## ELECTRICAL DATA

Unless otherwise specified all electrical values apply at an ambient temperature of  $20 \pm 1$  °C, an atmospheric pressure of 86 to 106 kPa and a relative humidity of 63 to 67%.

### Class 1

	NPO	N220	N750
Capacitance range (E12-series)*	0,47 to 10 000 pF	4,7 to 820 pF	6,8 to 1200 pF
Tolerance on capacitance			
→ $C \geq 10$ pF	$\pm 10\%$ , $\pm 5\%^{**}$		
$5 \text{ pF} \leq C < 10 \text{ pF}$	$\pm 0,5 \text{ pF}$		
$C < 5 \text{ pF}$	$\pm 0,25 \text{ pF}$		
→ Rated voltage $U_R$ (d.c.)	63 V (IEC)		
Test voltage (d.c.) for 1 min	$2,5 \times U_R$		
Tan $\delta$ , measured at 1,0 V, 1 MHz, $C \leq 30$ pF	$10 \left( \frac{10}{C} + 0,7 \right) \times 10^{-4}$ , max. $27 \times 10^{-4}$		
1 MHz, $30 \text{ pF} < C \leq 1000 \text{ pF}$	$\leq 10 \times 10^{-4}$		
1 kHz, $C > 1000 \text{ pF}$	$\leq 10 \times 10^{-4}$		
Insulation resistance	$> 100\,000 \text{ M}\Omega$		
Climatic category (IEC 68)	55/125/56		
	NPO	N220	N750
Temperature coefficient			
$0,47 \text{ pF} \leq C < 5 \text{ pF}$	$(0 \pm 150) \times 10^{-6}/\text{K}$	$(-220 \pm 60) \times 10^{-6}/\text{K}$	$(-750 \pm 250) \times 10^{-6}/\text{K}$
$5 \text{ pF} \leq C < 10 \text{ pF}$	$(0 \pm 150) \times 10^{-6}/\text{K}$	$(-220 \pm 60) \times 10^{-6}/\text{K}$	$(-750 \pm 250) \times 10^{-6}/\text{K}$
$C \geq 10 \text{ pF}$	$(0 \pm 30) \times 10^{-6}/\text{K}$	$(-220 \pm 60) \times 10^{-6}/\text{K}$	$(-750 \pm 250) \times 10^{-6}/\text{K}$
→ Terminations	AgPd or NiSn metallized ▲		

\* Measured at 1,0 V, 1 MHz for  $C \leq 1000$  pF, and at 1,0 V, 1 kHz for  $C > 1000$  pF, by a four-gauge method.

\*\*  $\pm 2\%$  to special order.

▲ For NPO and N220 NiSn metallized terminations are available in the course of 1987.

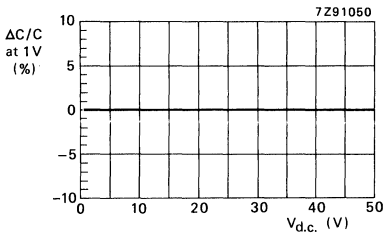


Fig. 3 Typical capacitance change with respect to the capacitance at 1 V as a function of d.c. voltage, for NPO dielectric.

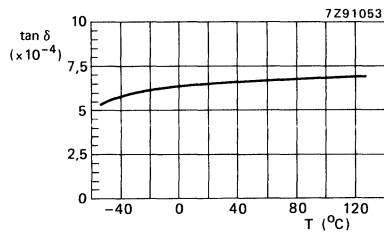


Fig. 4 Typical  $\tan \delta$  as a function of temperature for NPO dielectric.

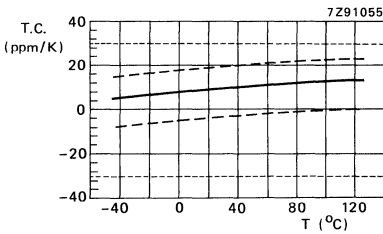


Fig. 5 Typical temperature coefficient as a function of temperature, for NPO dielectric. The dashed curves indicate sample limits, dotted lines indicate requirement levels.

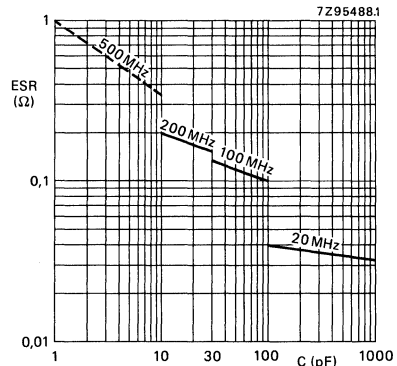


Fig. 6 Typical ESR at high frequencies as a function of capacitance, for NPO dielectric, size 0805 (measuring equipment HP4191A).



# CERAMIC MULTILAYER CAPACITORS

**Table 3** Selection chart for class 1 capacitors with AgPd and NiSn metallized terminations.  
Note: For NP0 and N220 NiSn metallized terminations are available in the course of 1987.

C pF	DIELECTRIC									
	NP0					N220		N750		
	0805	1206	1210	1808	1812	2220	0805	1206	0805	1206
0,47	■	■								
0,56	■	■								
0,68	■	■								
0,82	■	■								
1,0	■	■								
1,2	■	■								
1,5	■	■								
1,8	■	■								
2,2	■	■								
2,7	■	■								
3,3	■	■								
3,9	■	■								
4,7	■	■					■			
5,6	■	■					■			
6,8	■	■					■	■	■	■
8,2	■	■					■	■	■	■
10	■	■					■	■	■	■
12	■	■					■	■	■	■
15	■	■					■	■	■	■
18	■	■					■	■	■	■
22	■	■					■	■	■	■
27	■	■					■	■	■	■
33	■	■					■	■	■	■
39	■	■					■	■	■	■
47	■	■					■	■	■	■
56	■	■					■	■	■	■
68	■	■					■	■	■	■
82	■	■					■	■	■	■
100	■	■					■	■	■	■
120	■	■					■	■	■	■
150	■	■					■	■	■	■
180	■	■					■	■	■	■
220	■	■					■	■	■	■
270	■	■					■	■	■	■
330	■	■					■	■	■	■
390	■	■					■	■	■	■
470	■	■					■	■	■	■
560	■	■					■	■	■	■
680	■	■					■	■	■	■
820	■	■					■	■	■	■
1000	■	■					■	■	■	■
1200	■	■					■	■	■	■
1500	■	■					■	■	■	■
1800	■	■					■	■	■	■
2200	■	■					■	■	■	■
2700	■	■					■	■	■	■
3300	■	■					■	■	■	■
3900	■	■					■	■	■	■
4700	■	■					■	■	■	■
5600	■	■					■	■	■	■
6800	■	■					■	■	■	■
8200	■	■					■	■	■	■
10000	■	■					■	■	■	■

 available in bulk and in 8 mm tape on reel  
 available in bulk

7290923.2

**Class 2, X7R dielectric**

Capacitance range (E12-series)\*

180 pF to 1  $\mu$ F

Tolerance on capacitance, at age of 1000 h

$\pm 20\%$ ,  $\pm 10\%^{**}$

Rated voltage  $U_R$  (d.c.)

63 V (IEC)

Test voltage (d.c.) for 1 min

$2,5 \times U_R$

Tan  $\delta$ , measured at 1 kHz, 1,0 V

$\leq 2,5\%$

Insulation resistance

$> 100\,000\ M\Omega$

$C \leq 10\,000\ pF$

$R_{ins} \times C > 1000\ s$

$C > 10\,000\ pF$

Climatic category (IEC 68)

55/125/56

Maximum capacitance variation as a function of temperature

$\pm 15\%$ , see Fig. 9

Ageing

typ. 1% per time decade

Terminations

AgPd or NiSn metallized

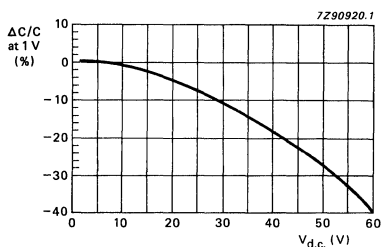


Fig. 7 Typical capacitance change with respect to the capacitance at 1 V as a function of d.c. voltage, for X7R dielectric.

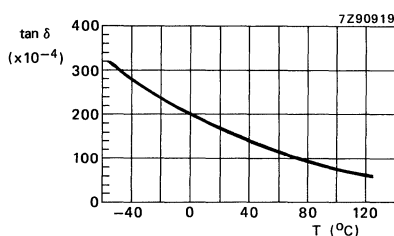


Fig. 8 Typical tan  $\delta$  as a function of temperature, for X7R dielectric.

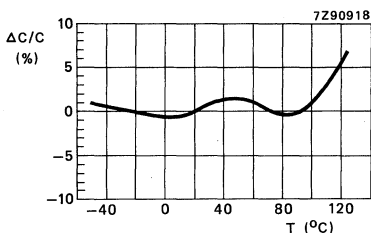


Fig. 9 Typical capacitance change as a function of temperature, for X7R dielectric.

\* Measured at 1,0 V, 1 kHz, by a four-gauge method.

\*\*  $\pm 2\%$  to special order.

# CERAMIC MULTILAYER CAPACITORS

→ **Table 4** Selection chart for class 2 capacitors, X7R dielectric, with AgPd and NiSn metallized terminations.

C pF	DIELECTRIC X7R					
	0805	1206	1210	1808	1812	2220
180	■					
220	■					
270	■					
330	■					
390	■					
470	■					
560	■					
680	■	■				
820	■	■				
1000	■	■				
1200	■	■				
1500	■	■				
1800	■	■				
2200	■	■	■			
2700	■	■	■	■		
3300	■	■	■	■	■	
3900	■	■	■	■	■	
4700	■	■	■	■	■	
5600	■	■	■	■	■	
6800	■	■	■	■	■	
8200	■	■	■	■	■	
10000	■	■	■	■	■	
12000	■	■	■	■	■	■
15000	■	■	■	■	■	■
18000	■	■	■	■	■	■
22000	■	■	■	■	■	■
27000	■	■	■	■	■	■
33000	■	■	■	■	■	■
39000	■	■	■	■	■	■
47000	■	■	■	■	■	■
56000	■	■	■	■	■	■
68000	■	■	■	■	■	■
82000	■	■	■	■	■	■
100000	■	■	■	■	■	■
120000	■	■	■	■	■	■
150000	■	■	■	■	■	■
180000	■	■	■	■	■	■
220000	■	■	■	■	■	■
270000	■	■	■	■	■	■
330000	■	■	■	■	■	■
390000	■	■	■	■	■	■
470000	■	■	■	■	■	■
560000	■	■	■	■	■	■
680000	■	■	■	■	■	■
820000	■	■	■	■	■	■
1000000	■	■	■	■	■	■

■ available in bulk and in 8 mm tape on reel

▨ available in bulk

7Z90922.3

**Class 2, Y5V dielectric**

Capacitance range (E6-series)\*

2200 to 100 000 pF  
(values up to 1 μF under development)

Tolerance on capacitance at age of 1000 h

-20 to +80% and ±20%

Rated voltage  $U_R$  (d.c.)

63 V (IEC)

Test voltage (d.c.) for 1 min

2,5 x  $U_R$

Tan  $\delta$ , measured at 1 kHz, 1,0 V

≤ 2,5%

Insulation resistance

$C \leq 25\ 000\ \text{pF}$

> 4000 MΩ

$C > 25\ 000\ \text{pF}$

$R_{\text{ins}} \times C > 100\ \text{s}$

Climatic category (IEC 68)

25/085/56

Maximum capacitance variation with respect

to C at 20 °C (IEC)

+30 to -80%, see Fig. 12

to C at 25 °C (EIA)

+22 to -82%

Ageing

typ. 5% per time decade

Terminations

AgPd or NiSn metallized

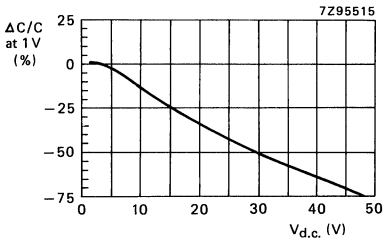


Fig. 10 Typical capacitance change with respect to the capacitance at 1 V as a function of d.c. voltage, for Y5V dielectric.

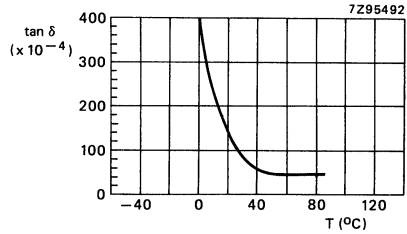


Fig. 11 Typical tan  $\delta$  as a function of temperature, for Y5V dielectric.

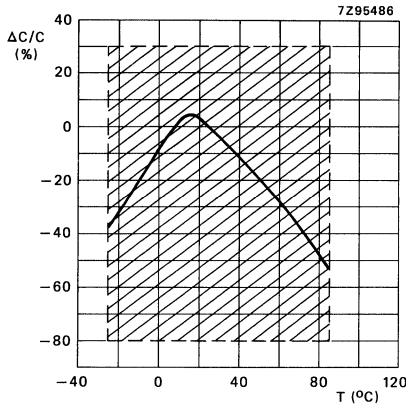


Fig. 12 Typical capacitance change as a function of temperature, for Y5V dielectric (hatched area according to IEC 384-10).

\* Measured at 1,0 V, 1 kHz, by a four-gauge method.

# CERAMIC MULTILAYER CAPACITORS

→ Table 5 Selection chart for class 2 capacitors, Y5V dielectric, with AgPd and NiSn metallized terminations.

C PF	DIELECTRIC Y5V					
	0805	1206	1210	1808	1812	2220
47						
68						
100						
150						
220						
330						
470						
680						
1000						
1500						
2200	■					
3300	■					
4700	■					
6800	■					
10000	■	■				
15000	■	■				
22000	■	■				
33000	■	■				
47000						
68000		■	■	■	■	■
100000		■	■	■	■	■
150000			■	■	■	■
220000			■	■	■	■
330000			■	■	■	■
470000				■	■	■
680000				■	■	■
1000000					■	■

■ available in bulk and in 8 mm tape on reel

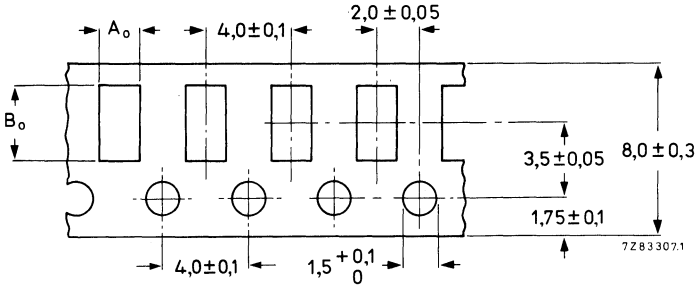
▨ under development

7Z90921.3

**PACKING**

The capacitors are supplied in bulk in cardboard boxes of 1000; the sizes 0805, 1206 and 1210 are also supplied in tape (cardboard or blister) on reels of 4000. Capacitors with sizes 0805 and 1206 (with the smaller tolerance) are also available in bulkpacking of 100; see Appendix II.

**Cardboard tape**



dimensions	size	
	0805	1206
A <sub>0</sub>	1,5 + <sup>+0,2</sup> / <sub>0</sub>	1,85 + <sup>+0,2</sup> / <sub>0</sub>
B <sub>0</sub>	2,25 + <sup>+0,2</sup> / <sub>0</sub>	3,45 + <sup>+0,2</sup> / <sub>0</sub>

Fig. 13 Dimensions of carrier tape (mm).  
Cumulative pitch error 0,2 mm over 10 pitches.

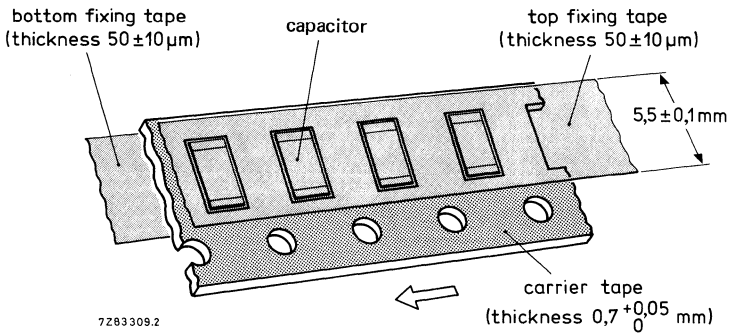
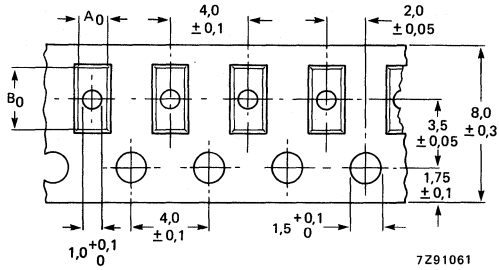


Fig. 14 Cardboard tape.

Blister tape



dimension	size	
	0805	1206
A <sub>0</sub>	1,55 ± 0,1	1,85 ± 0,1
B <sub>0</sub>	2,3 ± 0,1	3,55 ± 0,1

Fig. 15 Dimensions of carrier tape.  
Cumulative pitch error 0,2 mm over 10 pitches.

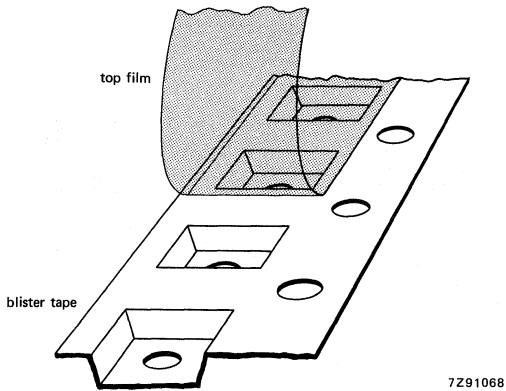


Fig. 16 Blister tape.

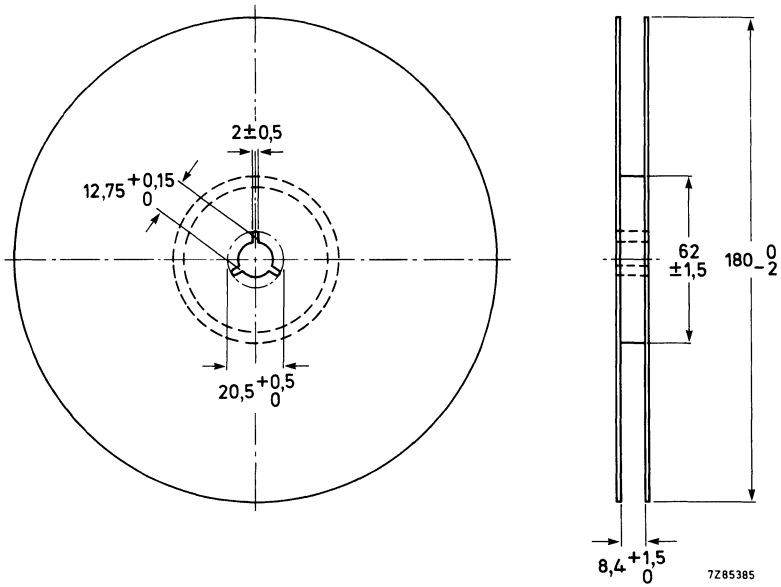


Fig. 17 Reel.

At least 40 positions at the beginning and 75 at the end of the tape are not used. The tape has a 230 mm leader.

**SOLDER CONDITIONS**

Limiting conditions

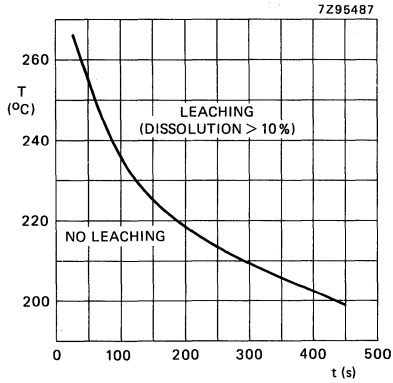
235 °C, min. 2 s, max. 100 s } see Fig. 18  
260 °C, max. 30 s

Typical solder conditions

see Figs 19, 20 and 21

(The use of weakly Cl-activated flux is advised). ←





→ Fig. 18 Resistance to leaching of AgPd metallized terminations (in static solder bath) at various temperatures. For NiSn metallized terminations the leaching resistance is 10 x better than shown in the graph.

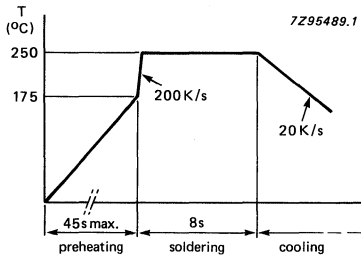


Fig. 19 Reflow soldering.

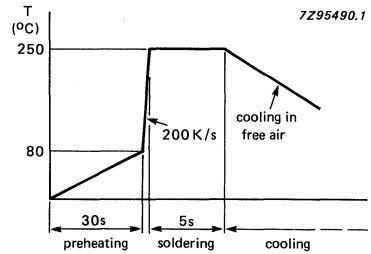


Fig. 20 Wave soldering.  
The capacitors may be soldered twice according to this method if necessary.

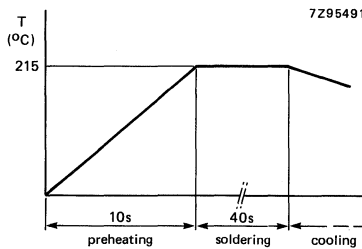
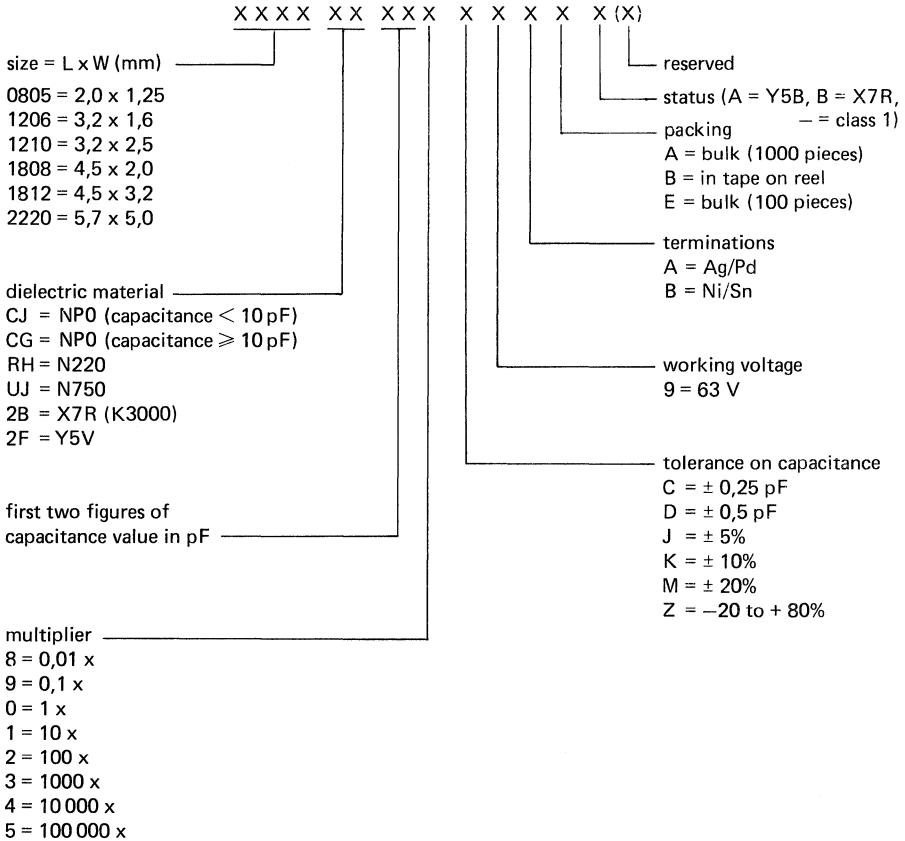


Fig. 21 Vapour phase soldering.

**HOW TO ORDER**

One can order the capacitors by quoting the 15-digit ordering code, which can be constructed as shown below\*.

Check for availability with Tables 3, 4 and 5, and with section PACKING.



**Example**

8000 capacitors, 150 pF, ± 5%, NPO dielectric, size 1206, in tape, should be ordered as:

8000 x 1206CG151J9AP - .

\* If required the 12 NC-catalogue number can be found in Appendices I and II.

**TESTS AND REQUIREMENTS—IEC**

384-10 par.	IEC 68-2 par.	test	procedure	requirements
4.5		Visual inspection and check of dimensions	any applicable method 10 X magnification	in accordance with specification
4.6.1		Capacitance	C ≤ 1000 pF f = 1 MHz C > 1000 pF f = 1 kHz measuring voltage 1 V, T = +20 °C	within specified tolerance, class 2 1000 h after manufacturing date
4.6.2		Tan δ	see 9.1	in accordance with specification
4.6.3		Insulation resistance	at 10 V (d.c.), 1 min	in accordance with specification
4.6.4		Voltage proof	2,5 U <sub>R</sub> , 1 min	no breakdown or flashover
4.7.1		Temperature coefficient, class 1	between min. and max. temperature	in accordance with specification
4.7.2		Temperature characteristic, class 2	X7R and Y5V between min. and max. temperature	in accordance with specification
4.11	Ta	Solderability	Zero hour test, and test after storage (20 to 24 months) in original packing, in normal atmosphere; unmounted chips completely immersed for 2 ± 0,5 s in a solder bath of 235 ± 5 °C	the terminations must be well tinned.
4.10	Tb	Resistance to soldering heat	260 ± 5 °C, 10 ± 0,5 s	the terminations must be well tinned, after recovery. ΔC/C, class 1 : ≤ ±0,5% or ±0,5 pF, whichever is greater X7R : > -5% and ≤ + 10% Y5V : > -10% and ≤ + 20%
		Resistance to leaching	260 ± 5 °C, 30 ± 1 s, in static solder bath	with visual enlargement of 10x: dissolution of terminations may not exceed 10%
4.8		Adhesion	a force of 5 N shall be applied normal to the line joining the terminations and in a plane parallel to the substrate	no visible damage.

## TESTS AND REQUIREMENTS—IEC (continued)

IEC		test	procedure	requirements
384-10 par.	68-2 par.			
4.9		Bond strength of end face plating	mounting according to 4.4; conditions: bending 1 mm at a rate of 1 mm/s	no visible damage; $\Delta C/C \leq 10\%$ .
4.1		Pre-conditioning class 2	X7R and Y5V : 1 h at 175 °C, then 24 h recovery	
4.12	Na	Rapid change of temperature	pre-conditioning (class 2 only) −55/+ 125 °C, 5 cycles	no visible damage; after 24 h recovery class 1: $\Delta C/C \leq \pm 1\%$ or 1 pF* X7R : $\Delta C/C \leq \pm 10\%$ Y5V : $\Delta C/C \leq \pm 20\%$
4.13		Climatic sequence	pre-conditioning (class 2 only)	
4.13.3	Ba	Dry heat	16 h at max. temperature	no visible damage ←
4.13.4	Db	Damp heat accelerated, 1 cycle	24 h, R.H. 100% at + 55 °C	
4.13.5	Aa	Cold	2 h at min. temperature	no visible damage ←
4.13.6	Db	Damp heat accelerated, remaining cycles	at 55 °C, R.H. 100% 5 cycles of 24 h	after recovery, class 1 1-2 h, class 2 24 h $\Delta C/C$ , class 1 : $\leq \pm 2\%$ or 1 pF* X7R : $\leq \pm 10\%$ ; Y5V: $\leq \pm 20\%$ tan $\delta$ , class 1 : $\leq 2 \times$ specified value X7R : $\leq 5\%$ Y5V : $\leq 7\%$ R <sub>ins</sub> , class 1 : $\geq 2500 \text{ M}\Omega$ or $R_i C_R \geq 25 \text{ s}^{**}$ X7R, Y5V : $\geq 1000 \text{ M}\Omega$ or $R_i C_R \geq 25 \text{ s}^{**}$
4.14	Ca	Damp heat, steady state	pre-conditioning (class 2 only) 56 days, R.H. 90-95% at 40 °C, 1,0 V applied	no visible damage; electrical: same as 4.13.6, except for $\Delta C/C$ , Y5V: $\leq \pm 30\%$

\* Whichever is greater.

\*\* Whichever is less.

TESTS AND REQUIREMENTS—IEC (continued)

IEC		test	procedure	requirements
384-10 par.	68-2 par.			
4.15		Endurance	Pre-conditioning (class 2 only) 1000 h at 1,5 x rated voltage at maximum temperature	no visible damage, after 24 h recovery $\Delta C/C$ , class 1: $\leq \pm 2\%$ or 1 pF* X7R : $\leq \pm 10\%$ ; Y5V: $\leq \pm 30\%$ $\tan \delta$ , class 1: $\leq 2$ x specified value X7R : $\leq 5\%$ , Y5V: $\leq 7\%$ $R_{ins}$ , class 1: $\geq 4000 \text{ M}\Omega$ or $\geq 40 \text{ s}^{**}$ X7R : $\geq 2000 \text{ M}\Omega$ or $R_i C_R \geq 50 \text{ s}^{**}$ Y5V : $\geq 2000 \text{ M}\Omega$ or $R_i C_R \geq 50 \text{ s}^{**}$

CONVERSION LIST  
type number to 12NC-catalogue number  
for 1000-piece bulk  
and 4000-piece tape packing

**Examples:** A 63 V ceramic multilayer capacitor of  $12 \text{ pF} \pm 10\%$ , NP0, size 0805, with Ag/Pd terminations, supplied in tape, has the type number 0805CG120K9AB- and the 12NC-catalogue number 2222 861 13129, see next page.

A 63 V ceramic multilayer capacitor of  $820 \text{ pF} \pm 20\%$ , X7R, size 1206, with Ni/Sn terminations, supplied in bulk, has the type number 12062B821M9BAB, and the 12NC-catalogue number 2222 581 06713.

NPO  
size 0805

Ag/Pd terminations

C = ± 0,25 pF  
D = ± 0,5 pF  
J = ± 5%  
K = ± 10%

63 V Ag/Pd A = bulk  
B = in tape on reel

cap. < 10 pF	0805	NPO	C(pF)	type number			12NC-catalogue number			
0,47	0805	CJ	478	C	9 A	[A B]	2222	[851 861]	12	477
0,56			568							567
0,68			688							687
0,82			828							827
1,0			109							108
1,2			129							128
1,5			159							158
1,8			189							188
2,2			229							228
2,7			279							278
3,3			339							338
3,9			399							398
4,7			479							478
5,6			569							568
6,8			689							688
8,2	0805	CJ	829	D	9 A	[A B]	2222	[851 861]	12	828
<b>&gt; 10 pF</b>										
10	0805	CG	100	[J K]	9 A	[A B]	2222	[851 861]	[12 13]	109
12			120							129
15			150							159
18			180							189
22			220							229
27			270							279
33			330							339
39			390							399
47			470							479
56			560							569
68			680							689
82			820							829
100			101							101
120			121							121
150			151							151
180			181							181
220			221							221
270			271							271
330			331							331
390			391							391
470			471							471
560			561			[A B]		[851 861]		561
680			681			A		851		681
820			821			A		851		821
1000	0805	CG	102	[J K]	9 A	A	2222	851	[12 13]	102
1200										
1500										
1800										
2200										
2700										
3300										
3900										
4700										
5600										
6800										
8200										
10000										

Ni/Sn terminations

NPO  
size 0805

C = ± 0,25 pF  
D = ± 0,5 pF  
J = ± 5%  
K = ± 10%

63 V

Ni/Sn

A = bulk  
B = in tape on reel

cap. < 10 pF	0805	NPO	C(pF)	type number	63 V	Ni/Sn	A = bulk B = in tape on reel	12NC-catalogue number	
0,47	0805	CJ	478	C	9 B	[A B]		2222 [851] [861] 15 477	
0,56			568					567	
0,68			688					687	
0,82			828					827	
1,0			109					108	
1,2			129					128	
1,5			159					158	
1,8			189					188	
2,2			229					228	
2,7			279					278	
3,3			339					338	
3,9			399					398	
4,7			479					478	
5,6			569					568	
6,8			689					688	
8,2	0805	CJ	829	D	9 B	[A B]		2222 [851] [861] 15 828	
≥ 10 pF									
10	0805	CG	100	[J K]	9 B	[A B]		2222 [851] [861] [15 16] 109	
12			120					129	
15			150					159	
18			180					189	
22			220					229	
27			270					279	
33			330					339	
39			390					399	
47			470					479	
56			560					569	
68			680					689	
82			820					829	
100			101					101	
120			121					121	
150			151					151	
180			181					181	
220			221					221	
270			271					271	
330			331					331	
390			391					391	
470			471					471	
560			561			[A B]		[851] [861] 561	
680			681			A		851 681	
820			821			A		851 821	
1000	0805	CG	102	[J K]	9 B	A		2222 851 [15 16] 102	
1200									
1500									
1800									
2200									
2700									
3300									
3900									
4700									
5600									
6800									
8200									
10000									



NPO  
size 1206

Ag/Pd terminations

cap.	1206	NPO	C(pF)	63 V	Ag/Pd	A = bulk B = in tape on reel	12NC-catalogue number
< 10 pF	type number						
0,47	1206	CJ	478	C	9 A	[A] [B]	2222 [853] [863] 12 477
0,56			568				567
0,68			688				687
0,82			828				827
1,0			109				108
1,2			129				128
1,5			159				158
1,8			189				188
2,2			229				228
2,7			279				278
3,3			339				338
3,9			399				398
4,7			479	C			478
5,6			569	D			568
6,8			689	D			688
8,2	1206	CJ	829	D	9 A	[A] [B]	2222 [853] [863] 12 828
> 10 pF							
10	1206	CG	100	[J] [K]	9 A	[A] [B]	2222 [853] [863] [12] [13] 109
12			120				129
15			150				159
18			180				189
22			220				229
27			270				279
33			330				339
39			390				399
47			470				479
56			560				569
68			680				689
82			820				829
100			101				101
120			121				121
150			151				151
180			181				181
220			221				221
270			271				271
330			331				331
390			391				391
470			471				471
560			561				561
680			681				681
820			821				821
1000			102				102
1200			122				122
1500			152				152
1800			182			[A] [B]	[853] [863] 182
2200			222			A	853 222
2700			272			A	853 272
3300	1206	CG	332	[J] [K]	9 A	A	2222 853 [12] [13] 332
3900							
4700							
5600							
6800							
8200							
10000							



# NPO size 1210

## Ag/Pd terminations

cap. < 10 pF	1210	NPO	C(pF)	J = ± 5% K = ± 10%	63 V	Ag/Pd	A = bulk B = in tape on reel	12NC-catalogue number
> 10 pF								
0,47								
0,56								
0,68								
0,82								
1,0								
1,2								
1,5								
1,8								
2,2								
2,7								
3,3								
3,9								
4,7								
5,6								
6,8								
8,2								
10								
12								
15								
18								
22								
27								
33								
39								
47	1210	CG	470	[ J K ]	9 A	[ A B ]	2222 [ 852 862 ] [ 12 13 ]	479
56			560					569
68			680					689
82			820					829
100			101					101
120			121					121
150			151					151
180			181					181
220			221					221
270			271					271
330			331					331
390			391					391
470			471					471
560			561					561
680			681					681
820			821					821
1000			102					102
1200			122					122
1500			152					152
1800			182					182
2200			222					222
2700			272					272
3300			332					332
3900			392					392
4700	1210	CG	472	[ J K ]	9 A	A	2222 852 [ 12 13 ]	472
5600								
6800								
8200								
10000								

← packing →

← tolerance →

cap. < 10 pF	1210	NPO	C(pF)	J = ± 5% K = ± 10%	63 V	Ni/Sn	A = bulk B = in tape on reel	12NC-catalogue number
type number								
0,47								
0,56								
0,68								
0,82								
1,0								
1,2								
1,5								
1,8								
2,2								
2,7								
3,3								
3,9								
4,7								
5,6								
6,8								
9,2								
<hr/>								
> 10 pF								
10								
12								
15								
18								
22								
27								
33								
39								
47	1210	CG	470	[ J K ]	9 B	[ A B ]	2222 [ 852 862 ] [ 15 16 ]	479
56			560					569
68			680					689
82			820					829
100			101					101
120			121					121
150			151					151
180			181					181
220			221					221
270			271					271
330			331					331
390			391					391
470			471					471
560			561					561
680			681					681
820			821					821
1000			102					102
1200			122					122
1500			152					152
1800			182					182
2200			222					222
2700			272					272
3300			332					332
3900			392			[ A B ]	[ 852 862 ]	392
4700	1210	CG	472	[ J K ]	9 B	A	2222 852 [ 15 16 ]	472
5600								
6800								
8200								
10000								

← packing →

← tolerance →

# NPO size 1808

## Ag/Pd terminations

cap.	1808	NPO	C(pF)	J = ± 5% K = ± 10%	63 V	Ag/Pd	A = bulk B = in tape on reel	12NC-catalogue number
< 10 pF	type number							
0,47								
0,56								
0,68								
0,82								
1,0								
1,2								
1,5								
1,8								
2,2								
2,7								
3,3								
3,9								
4,7								
5,6								
6,8								
8,2								
> 10 pF	type number							
10								
12								
15								
18								
22								
27								
33								
39								
47								
56								
68								
82								
100	1808	CG	101	[ J K ]	9 A	A	2222 854	[ 12 13 ] 101
120			121					121
150			151					151
180			181					181
220			221					221
270			271					271
330			331					331
390			391					391
470			471					471
560			561					561
680			681					681
820			821					821
1000			102					102
1200			122					122
1500			152					152
1800			182					182
2200			222					222
2700			272					272
3300			332					332
3900			392					392
4700			472					472
5600	1808	CG	562	[ J K ]	9 A	A	2222 854	[ 12 13 ] 562
6800								
8200								
10000								

packing

tolerance

cap.	1808	NPO	C(pF)	J = ± 5% K = ± 10%	63 V	Ni/Sn	A = bulk B = in tape on reel	12NC-catalogue number	
< 10 pF	type number								
0,47									
0,56									
0,68									
0,82									
1,0									
1,2									
1,5									
1,8									
2,2									
2,7									
3,3									
3,9									
4,7									
5,6									
6,8									
8,2									
≥ 10 pF									
10									
12									
15									
18									
22									
27									
33									
39									
47									
56									
68									
82									
100	1808	CG	101	[ J ] [ K ]	9 B	A	2222 854	[ 15 ] [ 16 ]	101
120			121						121
150			151						151
180			181						181
220			221						221
270			271						271
330			331						331
390			391						391
470			471						471
560			561						561
680			681						681
820			821						821
1000			102						102
1200			122						122
1500			152						152
1800			182						182
2200			222						222
2700			272						272
3300			332						332
3900			392						392
4700			472						472
5600	1808	CG	562	[ J ] [ K ]	9 B	A	2222 854	[ 15 ] [ 16 ]	562
6800									
8200									
10000									

← packing →

← tolerance →

NPO  
size 1812

Ag/Pd terminations

cap.	1812	NPO	C(pF)	J = ± 5% K = ± 10%	63 V	Ag/Pd	A = bulk B = in tape on reel	12NC-catalogue number
< 10 pF	type number							
0,47								
0,56								
0,68								
0,82								
1,0								
1,2								
1,5								
1,8								
2,2								
2,7								
3,3								
3,9								
4,7								
5,6								
6,8								
8,2								
> 10 pF								
10								
12								
15								
18								
22								
27								
33								
39								
47								
56								
68								
82								
100								
120								
150								
180								
220								
270								
330	1812	CG	331	[ J K ]	9 A	A	2222 855	[ 12 13 ] 331
390			391					391
470			471					471
560			561					561
680			681					681
820			821					821
1000			102					102
1200			122					122
1500			152					152
1800			182					182
2200			222					222
2700			272					272
3300			332					332
3900			392					392
4700			472					472
5600	1812	CG	562	[ J K ]	9 A	A	2222 855	[ 12 13 ] 562
6800								
8200								
10000								

packing

tolerance

cap. < 10 pF	1812	NPO	C(pF)	J = ± 5% K = ± 10%	63 V	Ni/Sn	A = bulk B = in tape on reel	12NC-catalogue number
type number								
0,47								
0,56								
0,68								
0,82								
1,0								
1,2								
1,5								
1,8								
2,2								
2,7								
3,3								
3,9								
4,7								
5,6								
6,8								
8,2								
> 10 pF								
10								
12								
15								
18								
22								
27								
33								
39								
47								
56								
68								
82								
100								
120								
150								
180								
220								
270								
330	1812	CG	331	[ J K ]	9 B	A	2222 855	[ 15 16 ] 331
390			391					391
470			471					471
560			561					561
680			681					681
820			821					821
1000			102					102
1200			122					122
1500			152					152
1800			182					182
2200			222					222
2700			272					272
3300			332					332
3900			392					392
4700			472					472
5600	1812	CG	562	[ J K ]	9 B	A	2222 855	[ 15 16 ] 562
6800								
8200								
10000								

← packing →

← tolerance →



NPO  
size 2220

Ag/Pd terminations

cap.	2220	NPO	C(pF)	J = ± 5% K = ± 10%	63 V	Ag/Pd	A = bulk B = in tape on reel	12NC-catalogue number
< 10 pF	type number							
0,47								
0,56								
0,68								
0,82								
1,0								
1,2								
1,5								
1,8								
2,2								
2,7								
3,3								
3,9								
4,7								
5,6								
6,8								
8,2								
> 10 pF	type number							
10								
12								
15								
18								
22								
27								
33								
39								
47								
56								
68								
82								
100								
120								
150								
180								
220								
270								
330								
390								
470	2220	CG	471	[ J K ]	9 A	A	2222 856 [ 12 13 ]	471
560			561					561
680			681					681
820			821					821
1000			102					102
1200			122					122
1500			152					152
1800			182					182
2200			222					222
2700			272					272
3300			332					332
3900			392					392
4700			472					472
5600			562					562
6800			682					682
8200			822					822
10000	2220	CG	103	[ J K ]	9 A	A	2222 856 [ 12 13 ]	103

← packing →

← tolerance →

Conversion list

Ni/Sn terminations

NPO  
size 2220

cap. < 10 pF	2220	NPO	C(pF)	J = ± 5% K = ± 10%	63 V	Ni/Sn	A = bulk B = in tape on reel	12NC-catalogue number
type number								
0,47								
0,56								
0,68								
0,82								
1,0								
1,2								
1,5								
1,8								
2,2								
2,7								
3,3								
3,9								
4,7								
5,6								
6,8								
8,2								
<hr/>								
≥ 10 pF								
10								
12								
15								
18								
22								
27								
33								
39								
47								
56								
68								
82								
100								
120								
150								
180								
220								
270								
330								
390								
470	2220	CG	471	[ J K ]	9 B	A	2222 856 [ 15 16 ]	471
560			561					561
680			681					681
820			821					821
1000			102					102
1200			122					122
1500			152					152
1800			182					182
2200			222					222
2700			272					272
3300			332					332
3900			392					392
4700			472					472
5600			562					562
6800			682					682
8200			822					822
10000	2220	CG	103	[ J K ]	9 B	A	2222 856 [ 15 16 ]	103

← packing →

← tolerance →

# N220 size 0805

cap. (pF)	0805	N220	C (pF)	63 V	A = Ag/Pd B = Ni/Sn	A = bulk B = in tape on reel	12NC-catalogue number
				type number			
4,7	0805	RH	479	C	9 [A] [B]	[A] [B]	2222 [590] [580] [0] [1] 2475
5,6			569	D			2477
6,8			689	D			2479
8,2	0805	RH	829	D	9 [A] [B]	[A] [B]	2222 [590] [580] [0] [1] 2482
10	0805	RH	100	J	9 [A] [B]	[A] [B]	2222 [590] [580] [0] [1] 2484
12			120				2486
15			150				2488
18			180				2491
22			220				2493
27			270				2495
33			330				2497
39			390				2499
47			470				2502
56			560				2504
68			680				2506
82			820				2508
100			101				2511
120			121				2513
150			151				2515
180			181				2517
220			221				2519
270	0805	RH	271	J	9 [A] [B]	[A] [B]	2222 [590] [580] [0] [1] 2522
				tolerance ± 5%			
10	0805	RH	100	K	9 [A] [B]	[A] [B]	2222 [590] [580] [0] [1] 2618
12			120				2621
15			150				2623
18			180				2625
22			220				2627
27			270				2629
33			330				2632
39			390				2634
47			470				2636
56			560				2638
68			680				2641
82			820				2643
100			101				2645
120			121				2647
150			151				2649
180			181				2652
220			221				2654
270	0805	RH	271	K	9 [A] [B]	[A] [B]	2222 [590] [580] [0] [1] 2656

Conversion list

N220  
size 1206

cap. (pF)	1206	N220	C(pF)	type number	63 V	A = Ag/Pd B = Ni/Sn	A = bulk B = in tape on reel	12NC-catalogue number			
8,2	1206	RH	829	D	9	[A] [B]	[A] [B]	2222	[591] [581]	[0] [1]	2482

tolerance ± 5%											
10	1206	RH	100	J	9	[A] [B]	[A] [B]	2222	[591] [581]	[0] [1]	2484
12			120								2486
15			150								2488
18			180								2491
22			220								2493
27			270								2495
33			330								2497
39			390								2499
47			470								2502
56			560								2504
68			680								2506
82			820								2508
100			101								2511
120			121								2513
150			151								2515
180			181								2517
220			221								2519
270			271								2522
330			331								2524
390			391								2526
470			471								2528
560			561								2531
680			681								2533
820	1206	RH	821	J	9	[A] [B]	[A] [B]	2222	[591] [581]	[0] [1]	2535

tolerance ± 10%											
10	1206	RH	100	K	9	[A] [B]	[A] [B]	2222	[591] [581]	[0] [1]	2618
12			120								2621
15			150								2623
18			180								2625
22			220								2627
27			270								2629
33			330								2632
39			390								2634
47			470								2636
56			560								2638
68			680								2641
82			820								2643
100			101								2645
120			121								2647
150			151								2649
180			181								2652
220			221								2654
270			271								2656
330			331								2658
390			391								2661
470			471								2663
560			561								2665
680			681								2667
820	1206	RH	821	K	9	[A] [B]	[A] [B]	2222	[591] [581]	[0] [1]	2669

# N750 size 0805

cap. (pF)	0805	N750	C(pF)	D = ± 0,5 pF J = ± 5% K = ± 10%	63 V	A = Ag/Pd B = Ni/Sn	A = bulk B = in tape on reel	12NC-catalogue number
type number								
6,8	0805	UJ	689	D	9	[A] [B]	[A] [B]	2222 [590] [580] [0] [1] 4099
8,2	0805	UJ	829	D	9	[A] [B]	[A] [B]	2222 [590] [580] [0] [1] 4102
tolerance ± 5%								
10	0805	UJ	100	J	9	[A] [B]	[A] [B]	2222 [590] [580] [0] [1] 4104
12			120					4106
15			150					4108
18			180					4111
22			220					4113
27			270					4115
33			330					4117
39			390					4119
47			470					4122
56			560					4124
68			680					4126
82			820					4128
100			101					4131
120			121					4133
150			151					4135
180			181					4137
220			221					4139
270			271					4142
330			331					4144
390	0805	UJ	391	J	9	[A] [B]	[A] [B]	2222 [590] [580] [0] [1] 4146

tolerance ± 10%								
10	0805	UJ	100	K	9	[A] [B]	[A] [B]	2222 [590] [580] [0] [1] 4238
12			120					4241
15			150					4243
18			180					4245
22			220					4247
27			270					4249
33			330					4252
39			390					4254
47			470					4256
56			560					4258
68			680					4261
82			820					4263
100			101					4265
120			121					4267
150			151					4269
180			181					4272
220			221					4274
270			271					4276
330			331					4278
390	0805	UJ	391	K	9	[A] [B]	[A] [B]	2222 [590] [580] [0] [1] 4281

Conversion list

N750  
size 1206

cap. (pF)	1206	N750	C(pF)	type number	63 V	tolerance $\pm 5\%$		12NC-catalogue number
						A = Ag/Pd B = Ni/Sn	A = bulk B = in tape on reel	
6,8	1206	UJ	689	D	9	$\begin{bmatrix} A \\ B \end{bmatrix}$	$\begin{bmatrix} A \\ B \end{bmatrix}$	2222 $\begin{bmatrix} 591 \\ 581 \end{bmatrix}$ $\begin{bmatrix} 0 \\ 1 \end{bmatrix}$ 4099
8,2	1206	UJ	829	D	9	$\begin{bmatrix} A \\ B \end{bmatrix}$	$\begin{bmatrix} A \\ B \end{bmatrix}$	2222 $\begin{bmatrix} 591 \\ 581 \end{bmatrix}$ $\begin{bmatrix} 0 \\ 1 \end{bmatrix}$ 4102

tolerance $\pm 5\%$								
10	1206	UJ	100	J	9	$\begin{bmatrix} A \\ B \end{bmatrix}$	$\begin{bmatrix} A \\ B \end{bmatrix}$	2222 $\begin{bmatrix} 591 \\ 581 \end{bmatrix}$ $\begin{bmatrix} 0 \\ 1 \end{bmatrix}$ 4104
12			120					4106
15			150					4108
18			180					4111
22			220					4113
27			270					4115
33			330					4117
39			390					4119
47			470					4122
56			560					4124
68			680					4126
82			820					4128
100			101					4131
120			121					4133
150			151					4135
180			181					4137
220			221					4139
270			271					4142
330			331					4144
390			391					4146
470			471					4148
560			561					4151
680			681					4153
820			821					4155
1000			102					4157
1200	1206	UJ	122	J	9	$\begin{bmatrix} A \\ B \end{bmatrix}$	$\begin{bmatrix} A \\ B \end{bmatrix}$	2222 $\begin{bmatrix} 591 \\ 581 \end{bmatrix}$ $\begin{bmatrix} 0 \\ 1 \end{bmatrix}$ 4159

tolerance $\pm 10\%$								
10	1206	UJ	100	K	9	$\begin{bmatrix} A \\ B \end{bmatrix}$	$\begin{bmatrix} A \\ B \end{bmatrix}$	2222 $\begin{bmatrix} 591 \\ 581 \end{bmatrix}$ $\begin{bmatrix} 0 \\ 1 \end{bmatrix}$ 4238
12			120					4241
15			150					4243
18			180					4245
22			220					4247
27			270					4249
33			330					4252
39			390					4254
47			470					4256
56			560					4258
68			680					4261
82			820					4263
100			101					4265
120			121					4267
150			151					4269
180			181					4272
220			221					4274
270			271					4276
330			331					4278
390			391					4281
470			471					4283
560			561					4285
680			681					4287
820			820					4289
1000			102					4292
1200	1206	UJ	122	K	9	$\begin{bmatrix} A \\ B \end{bmatrix}$	$\begin{bmatrix} A \\ B \end{bmatrix}$	2222 $\begin{bmatrix} 591 \\ 581 \end{bmatrix}$ $\begin{bmatrix} 0 \\ 1 \end{bmatrix}$ 4294

# X7R size 0805

cap. (pF)	0805	X7R	C(pF)	K = ± 10% M = ± 20%	63 V	A = Ag/Pd B = Ni/Sn	A = bulk B = in tape on reel	B = status (K3000)	12NC-catalogue number	
180	0805	2B	181	[K M]	9	[A B]	[A B]	B	2222 [590 580] [0 1] [66 67]	04
220			221							05
270			271							06
330			331							07
390			391							08
470			471							09
560			561							11
680			681							12
820			821							13
1000			102							14
1200			122							15
1500			152							16
1800			182							17
2200			222							18
2700			272							19
3300			332							21
3900			392							22
4700			472							23
5600			562							24
6800			682							25
8200			822							26
10000			103							27
12000			123							28
15000			153							29
18000			183							31
22000			223				[A B]			32
27000			273				A			33
33000	0805	2B	333	[K M]	9	[A B]	A	B	2222 [590 580] [0 1] [66 67]	34
39000										
47000										
56000										
68000										
82000										
100000										
120000										
150000										
180000										
220000										
270000										
330000										
390000										
470000										
560000										
680000										
820000										
1000000										

Conversion list

X7R  
size 1206

cap. (pF)	1206	X7R	C(pF)	K = ± 10% M = ± 20%	63 V	A = Ag/Pd B = Ni/Sn	A = bulk B = in tape on reel	B = status (K3000)	12NC-catalogue number	
	type number									
180										
220										
270										
330										
390										
470										
560										
680	1206	2B	681	[K M]	9	[A B]	[A B]	B	2222 [591 581] [0 1] [66 67]	12
820			821							13
1000			102							14
1200			122							15
1500			152							16
1800			182							17
2200			222							18
2700			272							19
3300			332							21
3900			392							22
4700			472							23
5600			562							24
6800			682							25
8200			822							26
10000			103							27
12000			123							28
15000			153							29
18000			183							31
22000			223							32
27000			273							33
33000			333							34
39000			393							35
47000			473							36
56000			563							37
68000			683							38
82000			823							39
100000	1206	2B	104	[K M]	9	[A B]	[A B]	B	2222 [591 581] [0 1] [66 67]	41
120000										
150000										
180000										
220000										
270000										
330000										
390000										
470000										
560000										
680000										
820000										
1000000										

← packing →

← tolerance →

← terminations →



# X7R size 1210

cap. (pF)	1210	X7R	C(pF)	K = ± 10% M = ± 20%	63 V	A = Ag/Pd B = Ni/Sn	A = bulk B = in tape on reel	B = status (K3000)	12NC-catalogue number	
	type number									
180										
220										
270										
330										
390										
470										
560										
680										
820										
1000										
1200										
1500										
1800										
2200	1210	2B	222	[K M]	9	[A B]	[A B]	B	2222 [592 582] [0 1] [66 67]	18
2700			272							19
3300			332							21
3900			392							22
4700			472							23
5600			562							24
6800			682							25
8200			822							26
10000			103							27
12000			123							28
15000			153							29
18000			183							31
22000			223							32
27000			273							33
33000			333							34
39000			393							35
47000			473							36
56000			563							37
68000			683							38
82000			823							39
100000			104							41
120000			124							42
150000			154							43
180000			184							44
220000	1210	2B	224	[K M]	9	[A B]	[A B]	B	2222 [592 582] [0 1] [66 67]	45
270000										
330000										
390000										
470000										
560000										
680000										
820000										
1000000										

# X7R size 1808

cap. (pF)	1808	X7R	C (pF)	K = ± 10% M = ± 20%	63 V	A = Ag/Pd B = Ni/Sn	A = bulk B = in tape on reel	B = status (K3000)	12NC-catalogue number	
180										
220										
270										
330										
390										
470										
560										
680										
820										
1000										
1200										
1500										
1800										
2200	1808	2B	222	[K M]	g	[A B]	A B	2222 [593 583]	0 [66 67]	18
2700			272							19
3300			332							21
3900			392							22
4700			472							23
5600			562							24
6800			682							25
8200			822							26
10000			103							27
12000			123							28
15000			153							29
18000			183							31
22000			223							32
27000			273							33
33000			333							34
39000			393							35
47000			473							36
56000			563							37
68000			683							38
82000			823							39
100000			104							41
120000			124							42
150000			154							43
180000			184							44
220000			224							45
270000	1808	2B	274	[K M]	g	[A B]	A B	2222 [593 583]	0 [66 67]	46
330000										
390000										
470000										
560000										
680000										
820000										
1000000										

# X7R size 1812

cap. (pF)	1812	X7R	C(pF)	K = ± 10% M = ± 20%	63 V	A = Ag/Pd B = Ni/Sn	A = bulk B = in tape on reel	B = status (K3000)	12NC-catalogue number	
180										
220										
270										
330										
390										
470										
560										
680										
820										
1000										
1200										
1500										
1800										
2200										
2700										
3300										
3900										
4700	1812	2B	472	[K M]	9	[A B]	A B	2222 [594 584]	0 [66 67]	23
5600			562							24
6800			682							25
8200			822							26
10000			103							27
12000			123							28
15000			153							29
18000			183							31
22000			223							32
27000			273							33
33000			333							34
39000			393							35
47000			473							36
56000			563							37
68000			683							38
82000			823							39
100000			104							41
120000			124							42
150000			154							43
180000			184							44
220000			224							45
270000			274							46
330000			334							47
390000			394							48
470000	1812	2B	474	[K M]	9	[A B]	A B	2222 [594 584]	0 [66 67]	49
560000										
680000										
820000										
1000000										

cap. (pF)	2220	X7R	C (pF)	K = ± 10% M = ± 20%	63 V	A = Ag/Pd B = Ni/Sn	A = bulk B = in tape on reel	B = status (K3000)	12NC-catalogue number	
180										
220										
270										
330										
390										
470										
560										
680										
820										
1000										
1200										
1500										
1800										
2200										
2700										
3300										
3900										
4700										
5600										
6800										
8200										
10000										
12000	2220	2B	123	[ K ]	9 [ A ]	A	B	2222 [ 595 ]	0 [ 66 ]	28
15000			153	[ M ]	[ B ]			[ 585 ]	[ 67 ]	29
18000			183							31
22000			223							32
27000			273							33
33000			333							34
39000			393							35
47000			473							36
56000			563							37
68000			683							38
82000			823							39
100000			104							41
120000			124							42
150000			154							43
180000			184							44
220000			224							45
270000			274							46
330000			334							47
390000			394							48
470000			474							49
560000			564							51
680000			684							52
820000			824							53
1000000	2220	2B	105	[ K ]	9 [ A ]	A	B	2222 [ 595 ]	0 [ 66 ]	54
				[ M ]	[ B ]			[ 585 ]	[ 67 ]	

← packing →

← tolerance →

← terminations →

# Y5V size 0805

cap. (pF)	0805	Y5V	C(pF)	M = ± 20% Z = -20 to +80%	63 V	A = Ag/Pd B = Ni/Sn	A = bulk B = in tape on reel	A = status (Y5V)	12NC-catalogue number	
	type number									
47										
68										
100										
150										
220										
330										
470										
680										
1000										
1500										
2200	0805	2F	222	[M Z]	9	[A B]	[A B]	A	2222 [590 580] [0 1] [87 88]	01
3300			332							02
4700			472							03
6800			682							04
10000			103							05
15000			153							06
22000			223							07
33000	0805	2F	333	[M Z]	9	[A B]	A	A	2222 [590 580] [0 1] [87 88]	08
47000										
68000										
100000										
150000										
220000										
330000										
470000										
680000										
1000000										

packing

tolerance terminations

cap. (pF)	1206	Y5V	C(pF)	M = ± 20% Z = -20 to +80%	63 V	A = Ag/Pd B = Ni/Sn	A = bulk B = in tape on reel	A = status (Y5V)	12NC-catalogue number
47									
68									
100									
150									
220									
330									
470									
680									
1000									
1500									
2200									
3300									
4700									
6800									
10000	1206	2F	103	[ M ] [ Z ]	9 [ A ] [ B ]	[ A ] [ B ]	A	2222 [ 591 ] [ 0 ] [ 87 ] [ 581 ] [ 1 ] [ 88 ]	05
15000			153						06
22000			223						07
33000			333						08
47000			473						09
68000			683						11
100000	1206	2F	104	[ M ] [ Z ]	9 [ A ] [ B ]	[ A ] [ B ]	A	2222 [ 591 ] [ 0 ] [ 87 ] [ 581 ] [ 1 ] [ 88 ]	12
150000									
220000									
330000									
470000									
680000									
1000000									

packing tolerance terminations



## CONVERSION LIST

type number to 12NC-catalogue number  
for 100-piece bulk packing  
(for sampling capacitors in sizes 0805 and 1206)

**Note:** This small packing quantity is available in sizes 0805 and 1206 in all dielectrics but limited to the smaller capacitance tolerances:  $\pm 5\%$  NPO, N220 and N750;  $\pm 10\%$  X7R;  $\pm 20\%$  Y5V.

**Examples:** A 63 V ceramic multilayer capacitor of  $12 \text{ pF} \pm 5\%$ , NPO, size 0805, with Ag/Pd terminations, supplied in bag of 100 pieces, has the type number 0805CG120J9AE- and the 12NC-catalogue number 2222 851 72129, see next page.

A 63 V ceramic multilayer capacitor of  $820 \text{ pF} \pm 20\%$ , X7R, size 1206, with Ni/Sn terminations, supplied in bag of 100 pieces, has the type number 12062B821K9BEB, and the 12NC-catalogue number 2222 581 76613.



NPO  
size 0805

Ag/Pd terminations

0805		NPO	C(pF)	C = ± 0,25 pF D = ± 0,5 pF J = ± 5%		63 V	Ag/Pd	E = bulk, 100 pcs			
cap. < 10 pF		type number						12NC-catalogue number			
0,47	0805	CJ	478	C	9 A	E	2222	851	72	477	
0,56			568							567	
0,68			688							687	
0,82			828							827	
1,0			109							108	
1,2			129							128	
1,5			159							158	
1,8			189							188	
2,2			229							228	
2,7			279							278	
3,3			339							338	
3,9			399							398	
4,7			479	C						478	
5,6			569	D						568	
6,8			689	D						688	
8,2	0805	CJ	829	D	9 A	E	2222	851	72	828	
<hr/>											
≥ 10 pF											
10	0805	CG	100	J	9 A	E	2222	851	72	109	
12			120							129	
15			150							159	
18			180							189	
22			220							229	
27			270							279	
33			330							339	
39			390							399	
47			470							479	
56			560							569	
68			680							689	
82			820							829	
100			101							101	
120			121							121	
150			151							151	
180			181							181	
220			221							221	
270			271							271	
330			331							331	
390			391							391	
470			471							471	
560			561							561	
680			681							681	
820			821							821	
1000	0805	CG	102	J	9 A	E	2222	851	72	102	
1200											
1500											
1800											
2200											
2700											
3300											
3900											
4700											
5600											
6800											
8200											
10000											

Ni/Sn terminations

NPO  
size 0805

cap.	0805	NPO	C(pF)	C = ± 0,25 pF D = ± 0,5 pF J = ± 5%	63 V	Ni/Sn	E = bulk, 100 pcs	12NC-catalogue number			
< 10 pF	type number										
0,47	0805	CJ	478	C	9 B	E		2222	851	75	477
0,56			568								567
0,68			688								687
0,82			828								827
1,0			109								108
1,2			129								128
1,5			159								158
1,8			189								188
2,2			229								228
2,7			279								278
3,3			339								338
3,9			399								398
4,7			479	C							478
5,6			569	D							568
6,8			689	D							688
8,2	0805	CJ	829	D	9 B	E		2222	851	75	828
> 10 pF											
10	0805	CG	100	J	9 B	E		2222	851	75	109
12			120								129
15			150								159
18			180								189
22			220								229
27			270								279
33			330								339
39			390								399
47			470								479
56			560								569
68			680								689
82			820								829
100			101								101
120			121								121
150			151								151
180			181								181
220			221								221
270			271								271
330			331								331
390			391								391
470			471								471
560			561								561
680			681								681
820			821								821
1000	0805	CG	102	J	9 B	E		2222	851	75	102
1200											
1500											
1800											
2200											
2700											
3300											
3900											
4700											
5600											
6800											
8200											
10000											

NPO  
size 1206

Ag/Pd terminations

1206		NPO	C(pF)	C = ± 0,25 pF D = ± 0,5 pF J = ± 5%		63 V	Ag/Pd	E = bulk, 100 pcs		
cap. < 10 pF				type number			12NC-catalogue number			
0,47	1206	CJ	478	C	9 A	E	2222	853	72	477
0,56			568							567
0,68			688							687
0,82			828							827
1,0			109							108
1,2			129							128
1,5			159							158
1,8			189							188
2,2			229							228
2,7			279							278
3,3			339							338
3,9			399							398
4,7			479	C						478
5,6			569	D						568
6,8			689	D						688
8,2	1206	CJ	829	D	9 A	E	2222	853	72	828
<hr/>										
≥ 10 pF										
10	1206	CG	100	J	9 A	E	2222	853	72	109
12			120							129
15			150							159
18			180							189
22			220							229
27			270							279
33			330							339
39			390							399
47			470							479
56			560							569
68			680							689
82			820							829
100			101							101
120			121							121
150			151							151
180			181							181
220			221							221
270			271							271
330			331							331
390			391							391
470			471							471
560			561							561
680			681							681
820			821							821
1000			102							102
1200			122							122
1500			152							152
1800			182							182
2200			222							222
2700			272							272
3300	1206	CG	332	J	9 A	E	2222	853	72	332
3900										
4700										
5600										
6800										
8200										
10000										

Conversion list

Ni/Sn terminations

NPO  
size 1206

cap. < 10 pF	1206	NPO	C(pF)	type number			12NC-catalogue number			
				C = ± 0,25 pF D = ± 0,5 pF J = ± 5%	63 V	Ni/Sn	E = bulk, 100 pcs			
0,47	1206	CJ	478	C	9 B	E	2222	853	75	477
0,56			568							567
0,68			688							687
0,82			828							827
1,0			109							108
1,2			129							128
1,5			159							158
1,8			189							188
2,2			229							228
2,7			279							278
3,3			339							338
3,9			399							398
4,7			479	C						478
5,6			569	D						568
6,8			689	D						688
8,2	1206	CJ	829	D	9 B	E	2222	853	75	828
≥ 10 pF										
10	1206	CG	100	J	9 B	E	2222	853	75	109
12			120							129
15			150							159
18			180							189
22			220							229
27			270							279
33			330							339
39			390							399
47			470							479
56			560							569
68			680							689
82			820							829
100			101							101
120			121							121
150			151							151
180			181							181
220			221							221
270			271							271
330			331							331
390			391							391
470			471							471
560			561							561
680			681							681
820			821							821
1000			102							102
1200			122							122
1500			152							152
1800			182							182
2200			222							222
2700			272							272
3300	1206	CG	332	J	9 B	E	2222	853	75	332
3900										
4700										
5600										
6800										
8200										
10000										

# N220 size 0805

cap. (pF)	0805	N220	C(pF)	63 V	A = Ag/Pd B = Ni/Sn	E = bulk, 100 pcs	12NC-catalogue number			
type number										
4,7	0805	RH	479	C	9 [A B]	E	2222	[590 580]	7	2475
5,6			569	D						2477
6,8			689	D						2479
8,2	0805	RH	829	D	9 [A B]	E	2222	[590 580]	7	2482
				tolerance ± 5%						
10	0805	RH	100	J	9 [A B]	E	2222	[590 580]	7	2484
12			120							2486
15			150							2488
18			180							2491
22			220							2493
27			270							2495
33			330							2497
39			390							2499
47			470							2502
56			560							2504
68			680							2506
82			820							2508
100			101							2511
120			121							2513
150			151							2515
180			181							2517
220			221							2519
270	0805	RH	271	J	9 [A B]	E	2222	[590 580]	7	2522

cap. (pF)	1206	N220	C(pF)	D = ± 0,5 pF J = ± 5%	63 V	A = Ag/Pd B = Ni/Sn	E = bulk, 100 pcs	12NC-catalogue number										
type number																		
8,2	1206	RH	829	D	9 $\begin{bmatrix} A \\ B \end{bmatrix}$	E		2222	$\begin{bmatrix} 591 \\ 581 \end{bmatrix}$	7	2482							
10	1206	RH	100	J	9 $\begin{bmatrix} A \\ B \end{bmatrix}$	E		2222	$\begin{bmatrix} 591 \\ 581 \end{bmatrix}$	7	2484							
12			120															2486
15			150															2488
18			180															2491
22			220															2493
27			270															2495
33			330															2497
39			390															2499
47			470															2502
56			560															2504
68			680															2506
82			820															2508
100			101															2511
120			121															2513
150			151								2515							
180			181								2517							
220			221								2519							
270			271								2522							
330			331								2524							
390			391								2526							
470			471								2528							
560			561								2531							
680			681								2533							
820	1206	RH	821	J	9 $\begin{bmatrix} A \\ B \end{bmatrix}$	E		2222	$\begin{bmatrix} 591 \\ 581 \end{bmatrix}$	7	2535							

tolerance ± 5%

packing

terminations

# N750 size 0805

cap. (pF)	0805	N750	C(pF)	D = ± 0,5 pF J = ± 5%	63 V	A = Ag/Pd B = Ni/Sn	E = bulk, 100 pcs	12NC-catalogue number			
type number											
6,8	0805	UJ	689	D	9	[A] [B]	E	2222	[590] [580]	7	4099
8,2	0805	UJ	829	D	9	[A] [B]	E	2222	[590] [580]	7	4102
10	0805	UJ	100	J	9	[A] [B]	E	2222	[590] [580]	7	4104
12			120								4106
15			150								4108
18			180								4111
22			220								4113
27			270								4115
33			330								4117
39			390								4119
47			470								4122
56			560								4124
68			680								4126
82			820								4128
100			101								4131
120			121								4133
150			151								4135
180			181								4137
220			221								4139
270			271								4142
330			331								4144
390	0805	UJ	391	J	9	[A] [B]	E	2222	[590] [580]	7	4146

tolerance ± 5%

packing

terminations

cap. (pF)	1206	N750	C(pF)	D = ± 0,5 pF J = ± 5%	63 V	A = Ag/Pd B = Ni/Sn	E = bulk, 100 pcs	12NC-catalogue number			
type number											
6,8	1206	UJ	689	D	9	[A] [B]	E	2222	[591] [581]	7	4099
8,2	1206	UJ	829	D	9	[A] [B]	E	2222	[591] [581]	7	4102
				tolerance ± 5%							
10	1206	UJ	100	J	9	[A] [B]	E	2222	[591] [581]	7	4104
12			120								4106
15			150								4108
18			180								4111
22			220								4113
27			270								4115
33			330								4117
39			390								4119
47			470								4122
56			560								4124
68			680								4126
82			820								4128
100			101								4131
120			121								4133
150			151								4135
180			181								4137
220			221								4139
270			271								4142
330			331								4144
390			391								4146
470			471								4148
560			561								4151
680			681								4153
820			821								4155
1000			102								4157
1200	1206	UJ	122	J	9	[A] [B]	E	2222	[591] [581]	7	4159

packing

terminations



# X7R size 0805

cap. (pF)	0805	X7R	C(pF)	K = ± 10%	63 V	A = Ag/Pd B = Ni/Sn	E = bulk, 100 pcs	B = status (K3000)	12NC-catalogue number				
type number													
180	0805	2B	181	K	9	[A] [B]	E	B	2222	[590] [580]	7	66	04
220			221										05
270			271										06
330			331										07
390			391										08
470			471										09
560			561										11
680			681										12
820			821										13
1000			102										14
1200			122										15
1500			152										16
1800			182										17
2200			222										18
2700			272										19
3300			332										21
3900			392										22
4700			472										23
5600			562										24
6800			682										25
8200			822										26
10000			103										27
12000			123										28
15000			153										29
18000			183										31
22000			223										32
27000			273										33
33000	0805	2B	333	K	9	[A] [B]	E	B	2222	[590] [580]	7	66	34
39000													
47000													
56000													
68000													
82000													
100000													
120000													
150000													
180000													
220000													
270000													
330000													
390000													
470000													
560000													
680000													
820000													
1000000													

Conversion list

X7R  
size 1206

cap. (pF)	1206	X7R	C (pF)	K = ± 10%	63 V	A = Ag/Pd B = Ni/Sn	E = bulk, 100 pcs	B = status (K3000)	12NC-catalogue number				
180													
220													
270													
330													
390													
470													
560													
680	1206	2B	681	K	9	$\begin{bmatrix} A \\ B \end{bmatrix}$	E	B	2222	$\begin{bmatrix} 591 \\ 581 \end{bmatrix}$	7	66	12
820			821										13
1000			102										14
1200			122										15
1500			152										16
1800			182										17
2200			222										18
2700			272										19
3300			332										21
3900			392										22
4700			472										23
5600			562										24
6800			682										25
8200			822										26
10000			103										27
12000			123										28
15000			153										29
18000			183										31
22000			223										32
27000			273										33
33000			333										34
39000			393										35
47000			473										36
56000			563										37
68000			683										38
82000			823										39
100000	1206	2B	104	K	9	$\begin{bmatrix} A \\ B \end{bmatrix}$	E	B	2222	$\begin{bmatrix} 591 \\ 581 \end{bmatrix}$	7	66	41
120000													
150000													
180000													
220000													
270000													
330000													
390000													
470000													
560000													
680000													
820000													
1000000													

← packing →

← tolerance →

← terminations →

# Y5V size 0805

cap. (pF)	0805	Y5V	C(pF)	M = ± 20%	63 V	A = Ag/Pd B = Ni/Sn	E = bulk, 100 pcs	A = status (Y5V)	12NC-catalogue number				
47													
68													
100													
150													
220													
330													
470													
680													
1000													
1500													
2200	0805	2F	222	M	9	[ <sup>A</sup> <sub>B</sub> ]	E	A	2222	[ <sup>590</sup> <sub>580</sub> ]	7	87	01
3300			332										02
4700			472										03
6800			682										04
10000			103										05
15000			153										06
22000			223										07
33000	0805	2F	333	M	9	[ <sup>A</sup> <sub>B</sub> ]	E	A	2222	[ <sup>590</sup> <sub>580</sub> ]	7	87	08
47000													
68000													
100000													
150000													
220000													
330000													
470000													
680000													
1000000													

packing

tolerance

terminations

Conversion list

Y5V  
size 1206

cap. (pF)	1206	Y5V	C (pF)	M = ± 20%	63 V	A = Ag/Pd B = Ni/Sn	E = bulk, 100 pcs	A = status (Y5V)	12NC-catalogue number				
type number													
47													
68													
100													
150													
220													
33													
470													
680													
1000													
1500													
2200													
3300													
4700													
6800													
10000	1206	2F	103	M	9	[ A ] [ B ]	E	A	2222	[ 591 ] [ 581 ]	7	87	05
15000			153										06
22000			223										07
33000			333										08
47000			473										09
68000			683										11
100000	1206	2F	104	M	9	[ A ] [ B ]	E	A	2222	[ 591 ] [ 581 ]	7	87	12
150000													
220000													
330000													
470000													
680000													
1000000													

Diagram illustrating the mapping of fields in the type number to the 12NC-catalogue number. Arrows indicate the following relationships:

- packing**: A double-headed arrow between the 'A' field of the type number and the '7' field of the catalogue number.
- tolerance**: A double-headed arrow between the 'M' field of the type number and the '87' field of the catalogue number.
- terminations**: A double-headed arrow between the '9' field of the type number and the '87' field of the catalogue number.



NOTES

NOTES

NOTES



NOTES

# STANDARD SERIES OF VALUES IN A DECADE

## for resistances and capacitances

according to IEC publication 63

E192	E96	E48	E192	E96	E48	E192	E96	E48	E192	E96	E48	E192	E96	E48	
100	100	100	169	169	169	287	287	287	487	487	487	825	825	825	
101			172			291			493			835			
102	102		174	174		294	294		499	499		845	845		
104			176			298			505			856			
105	105	105	178	178	178	301	301	301	511	511	511	866	866	866	
106			180			305			517			876			
107	107		182	182		309	309		523	523		887	887		
109			184			312			530			898			
110	110	110	187	187	187	316	316	316	536	536	536	909	909	909	
111			189			320			542			920			
113	113		191	191		324	324		549	549		931	931		
114			193			328			556			942			
115	115	115	196	196	196	332	332	332	562	562	562	953	953	953	
117			198			336			569			965			
118	118		200	200		340	340		576	576		976	976		
120			203			344			583			988			
121	121	121	205	205	205	348	348	348	590	590	590				
123			208			352			597						
124	124		210	210		357	357		604	604		E24	E12	E6	E3
126			213			361			612						
127	127	127	215	215	215	365	365	365	619	619	619	10	10	10	10
129			218			370			626			11			
130	130		221	221		374	374		634	634		12	12		
132			223			379			642			13			
133	133	133	226	226	226	383	383	383	649	649	649	15	15	15	
135			229			388			657			16			
137	137		232	232		392	392		665	665		18	18		
138			234			397			673			20			
140	140	140	237	237	237	402	402	402	681	681	681	22	22	22	22
142			240			407			690			24			
143	143		243	243		412	412		698	698		27	27		
145			246			417			706			30			
147	147	147	249	249	249	422	422	422	715	715	715	33	33	33	
149			252			427			723			36			
150	150		255	255		432	432		732	732		39	39		
152			258			437			741			43			
154	154	154	261	261	261	442	442	442	750	750	750	47	47	47	47
156			264			448			759			51			
158	158		267	267		453	453		768	768		56	56		
160			271			459			777			62			
162	162	162	274	274	274	464	464	464	787	787	787	68	68	68	
164			277			470			796			75			
165	165		280	280		475	475		806	806		82	82		
167			284			481			816			91			

# Electronic components and materials for professional, industrial and consumer uses from the world-wide Philips Group of Companies

- Argentina:** PHILIPS ARGENTINA S.A., Div. Elcoma, Vedia 3892, 1430 BUENOS AIRES, Tel. (01) 541 - 7141 to 7747.
- Australia:** PHILIPS INDUSTRIES LTD., Elcoma Division, 11 Waltham Street, ARTARMON, N.S.W. 2064, Tel. (02) 439 3322.
- Austria:** ÖSTERREICHISCHE PHILIPS INDUSTRIE G.m.b.H., UB Bauelemente, Triester Str. 64, A-1101 WIEN, Tel. (0222) 6291 11-10.
- Belgium:** N.V. PHILIPS & MBLÉ ASSOCIATED, 80 Rue Des Deux Gares, B-1070 BRUXELLES, Tel. (02) 525-61-11.
- Brazil:** CONSTANTA-IBRAPE; (Active Devices): Av. Brigadeiro Faria Lima, 1735-SAO PAULO-SP, Tel. (011) 211-2600,  
(Passive Devices & Materials): Av. Francisco Monteiro, 702 - RIBEIRAO PIRES-SP, Tel. (011) 459-8211.
- Canada:** PHILIPS ELECTRONICS LTD., Elcoma Division, 601 Milner Ave., SCARBOROUGH, Ontario, M1B 1M6, Tel. (416) 292-5161.
- Chile:** PHILIPS CHILENA S.A., Av. Santa Maria 0760, SANTIAGO, Tel. (02) 77 38 16.
- Colombia:** IND. PHILIPS DE COLOMBIA S.A., c/o IPRELENZO LTD., Cra. 21, No. 56-17, BOGOTA, D.E., Tel. (01) 249 76 24.
- Denmark:** MINIWATT A/S, Strandlodsvej 2, P.O. Box 1919, DK 2300 COPENHAGEN S, Tel. (01) 54 11 33.
- Finland:** OY PHILIPS AB, Elcoma Division, Kaivokatu 8, SF-00100 HELSINKI 10, Tel. (90) 1 72 71.
- France:** RTC-COMPELEC, 130 Avenue Ledru Rollin, F-75540 PARIS 11, Tel. (01) 43 38 80 00.
- Germany (Fed. Republic):** VALVO, UB Bauelemente der Philips G.m.b.H., Valvo Haus, Burchardstrasse 19, D-2 HAMBURG 1, Tel. (040) 3296-0.
- Greece:** PHILIPS HELLENIQUE S.A., Elcoma Division, No. 15, 25th March Street, GR 17778 TAVROS, Tel. (01) 48 94 339/48 94 911.
- Hong Kong:** PHILIPS HONG KONG LTD., Elcoma Div., 15/F Philips Ind. Bldg., 24-28 Kung Yip St., KWAI CHUNG, Tel. (0)-24 51 21.
- India:** PEICO ELECTRONICS & ELECTRICAL S LTD., Elcoma Dept., Band Box Building,  
254-D Dr. Annie Besant Rd., BOMBAY - 400 025, Tel. (022) 4930311/4930590.
- Indonesia:** PT. PHILIPS-RALIN ELECTRONICS, Elcoma Div., Setiabudi II Building, 6th Fl., Jalan H.R. Rasuna Said (P.O. Box 223/KBY) Kuningan,  
JAKARTA 12910, Tel. (021) 51 79 95.
- Ireland:** PHILIPS ELECTRICAL (IRELAND) LTD., Elcoma Division, Newstead, Clonskeagh, DUBLIN 14, Tel. (01) 69 33 55.
- Italy:** PHILIPS S.p.A., Div. Componenti Elcoma, Piazza IV Novembre 3, I-20124 MILANO, Tel. (02) 6752.1.
- Japan:** NIHOH PHILIPS CORP., Shuwa Shinagawa Bldg., 26-33 Takanawa 3-chome, Minato-ku, TOKYO (108), Tel. (03) 448-5611.  
(IC Products) SIGNETICS JAPAN LTD., 8-7 Sanbancho Chiyoda-ku, TOKYO 102, Tel. (03) 230-1521.
- Korea (Republic of):** PHILIPS ELECTRONICS (KOREA) LTD., Elcoma Div., Philips House, 260-199 Itaewon-dong, Yongsan-ku, SEOUL,  
Tel. (02) 794-5011.
- Malaysia:** PHILIPS MALAYSIA SDN BHD, Elcoma Div., 345 Jalan Gelugor, 11700 PULAU PINANG, Tel. (04) 87 00 44.
- Mexico:** ELECTRONICA, S.A. de C.V. Carr. México-Toluca km. 62.5, TOLUCA, Edo. de México 50140, Tel. Toluca 91 (721) 613-00.
- Netherlands:** PHILIPS NEDERLAND, Marktgroep Elconco, Postbus 90050, 5600 PB EINDHOVEN, Tel. (040) 78 37 49.
- New Zealand:** PHILIPS NEW ZEALAND LTD., Elcoma Division, 110 Mt. Eden Road, C.P.O. Box 1041, AUCKLAND, Tel. (09) 605-914.
- Norway:** NORSK A/S PHILIPS, Electronica Dept., Sandstuveien 70, OSLO 6, Tel. (02) 68 02 00.
- Pakistan:** PHILIPS ELECTRICAL CO. OF PAKISTAN LTD., Philips Markaz, M.A. Jinnah Rd., KARACHI-3, Tel. (021) 72 57 72.
- Peru:** CADESA, Av. Alfonso Ugarte 1268, LIMA 5, Tel. (014) 326070.
- Philippines:** PHILIPS INDUSTRIAL DEV. INC., 2246 Pasonag Tamo, P.O. Box 911, Makati Comm. Centre, MAKATI-RIZAL 3116, Tel. (02) 86 89 51 to 59.
- Portugal:** PHILIPS PORTUGUESA S.A.R.L., Av. Eng. Duarte Pacheco 6, 1009 LISBOA Codex, Tel. (019) 68 31 21.
- Singapore:** PHILIPS PROJECT DEV. (Singapore) PTE LTD., Elcoma Div., Lorong 1, Toa Payoh, SINGAPORE 1231, Tel. 3502 0000.
- South Africa:** S.A. PHILIPS (Pty) LTD., EDAC Div., 3rd Floor Rainer House, Upper Railway Rd. & Ove St., New Doornfontein, JOHANNESBURG 2001,  
Tel. (011) 402-460/07.
- Spain:** MINIWATT S.A., Balmes 22, BARCELONA 7, Tel. (03) 301 63 12.
- Sweden:** PHILIPS KOMPLEMENTER A.B., Lidingsvägen 50, S-11584 STOCKHOLM 27, Tel. (08) 7821000.
- Switzerland:** PHILIPS A.G., Elcoma Dept., Allmendstrasse 140-142, CH-8027 ZÜRICH, Tel. (01) 488 22 11.
- Taiwan:** PHILIPS TAIWAN LTD., 150 Tun Hua North Road, P.O. Box 22978, TAIPEI, Taiwan, Tel. (02) 7120500.
- Thailand:** PHILIPS ELECTRICAL CO. OF THAILAND LTD., 283 Silom Road, P.O. Box 961, BANGKOK, Tel. (02) 233-6330-9.
- Turkey:** PHILIPS TICARET A.S., Elcoma Department, İnönü Cad., No. 78-80, 80090 Ayazpasa ISTANBUL, Tel. (01) 143 59 10.
- United Kingdom:** MULLARD LTD., Mullard House, Torrington Place, LONDON WC1E 7HD, Tel. (01) 580 6633.
- United States:** (Active Devices & Materials) AMPEREX SALES CORP., Providence Pike, SLATERSVILLE, R.I. 02876, Tel. (401) 762-9000.  
(Passive & Electromech. Dev.) MEPCO/CENTRALAB, INC., 2001 West Blue Heron Blvd, RIVIERA BEACH, Florida 33404,  
Tel. (305) 881-3200.  
(IC Products) SIGNETICS CORPORATION, 811 East Arques Avenue, SUNNYVALE, CA 94088-3409, Tel. (408) 991-2000.
- Uruguay:** LUZILECTRON S.A., Avda Uruguay 1287, P.O. Box 907, MONTEVIDEO, Tel. (02) 98 53 95.
- Venezuela:** IND. VENEZOLANAS PHILIPS S.A., c/o MAGNETICA S.A., Calle 6, Ed. Las Tres Jotas, App. Post. 78117, CARACAS, Tel. (02) 239 39 31.

For all other countries apply to: Philips Electronic Components and Materials Division, International Business Relations, P.O. Box 218, 5600 MD EINDHOVEN, The Netherlands, Telex 35000 phtcnl

AB54

© Philips Export B.V. 1987

This information is furnished for guidance, and with no guarantee as to its accuracy or completeness; its publication conveys no licence under any patent or other right, nor does the publisher assume liability for any consequence of its use; specifications and availability of goods mentioned in it are subject to change without notice; it is not to be reproduced in any way, in whole or in part, without the written consent of the publisher.